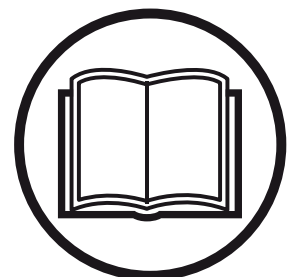




**Operator's manual**  
**Weed Brush**

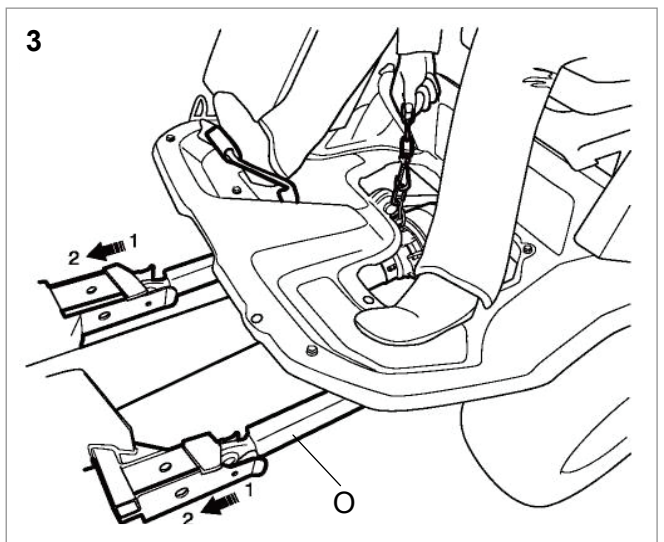
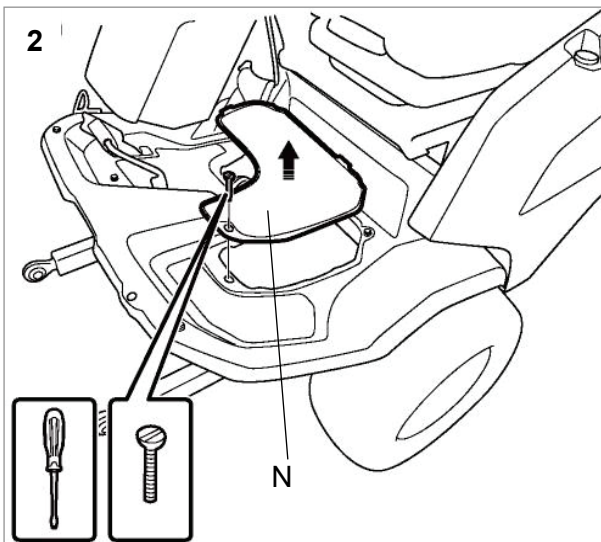
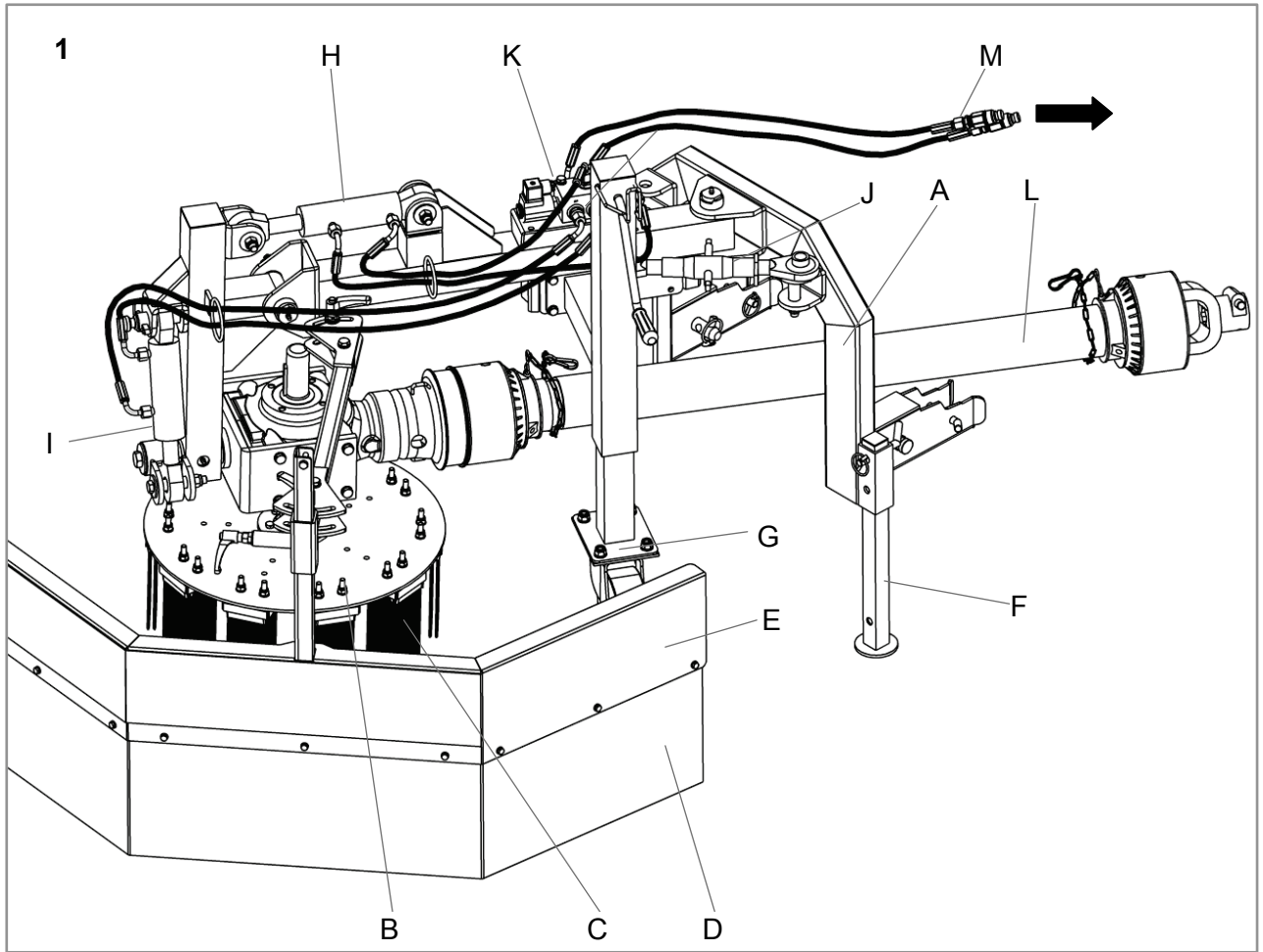


Please read the operator's manual carefully and make sure you understand the instructions before using the machine.

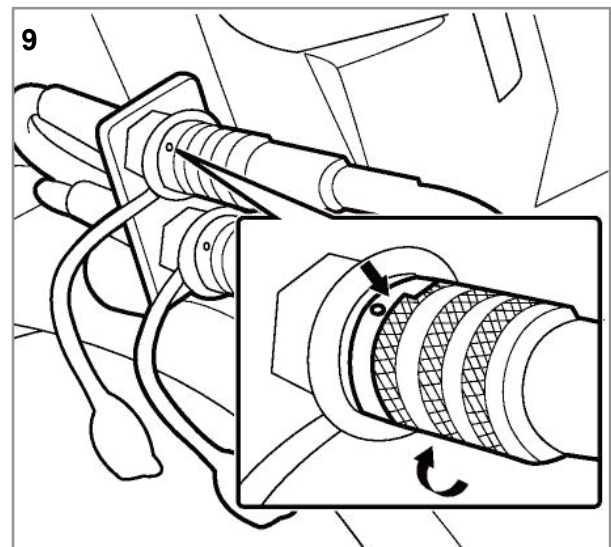
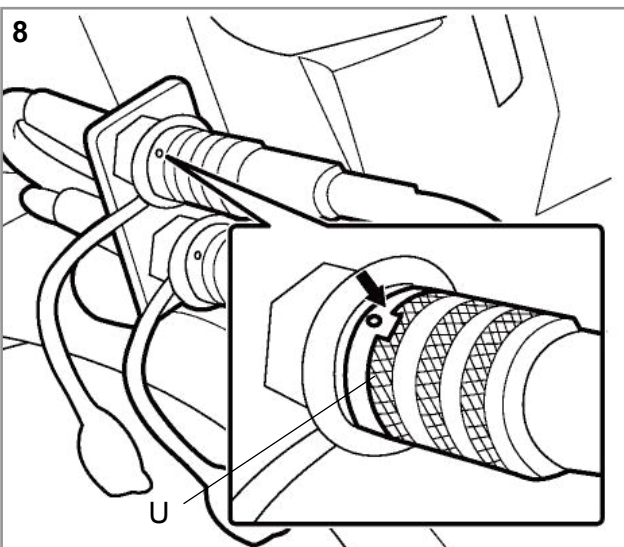
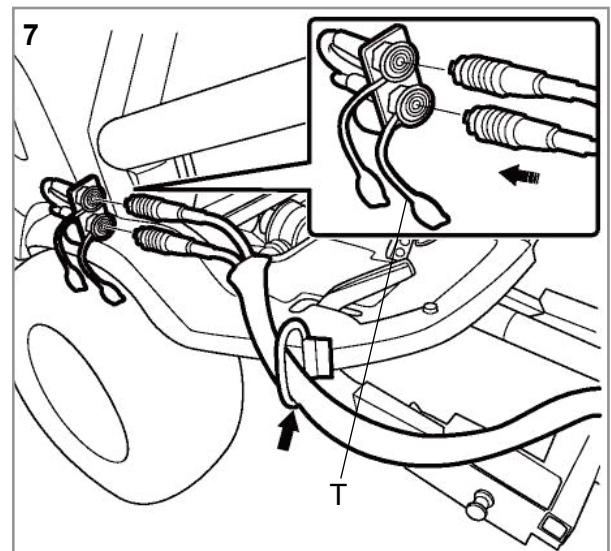
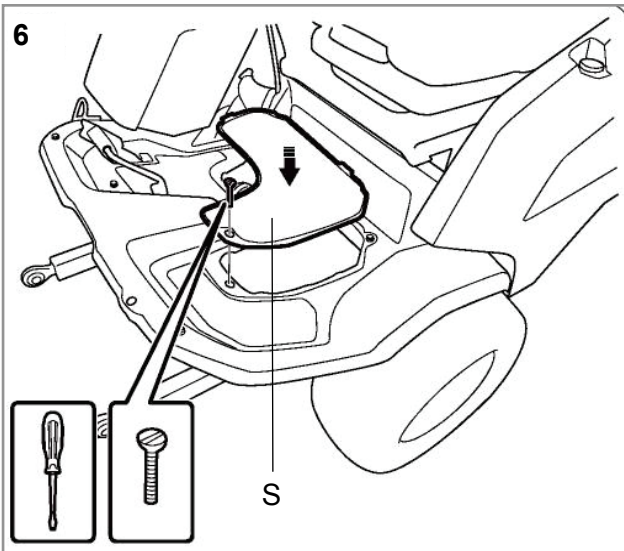
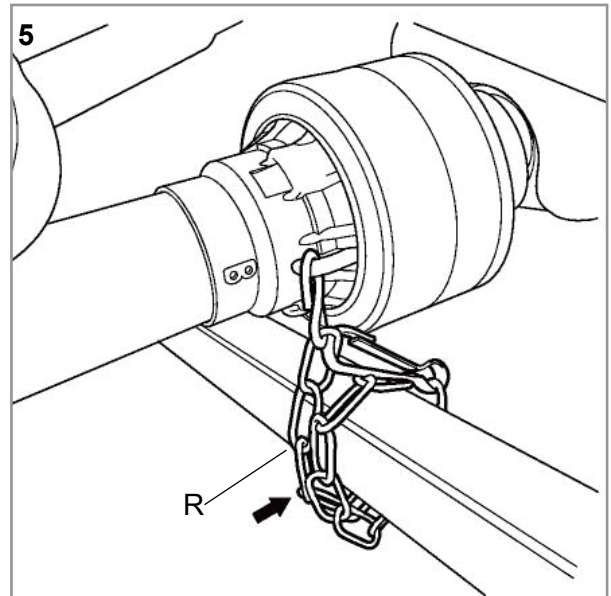
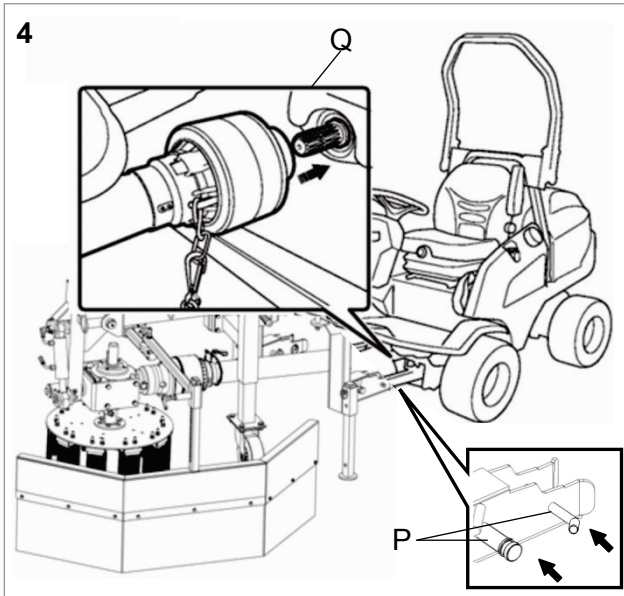
**English**

## Contents

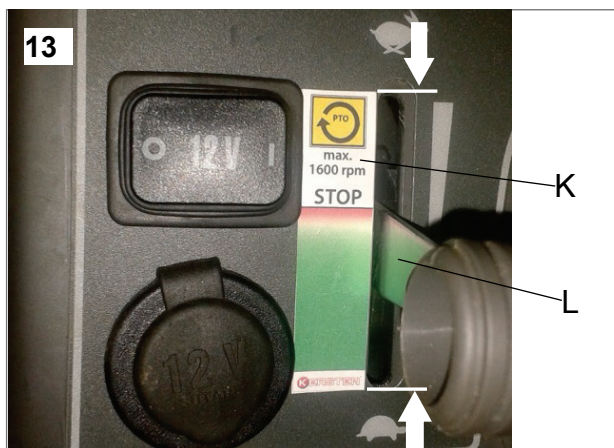
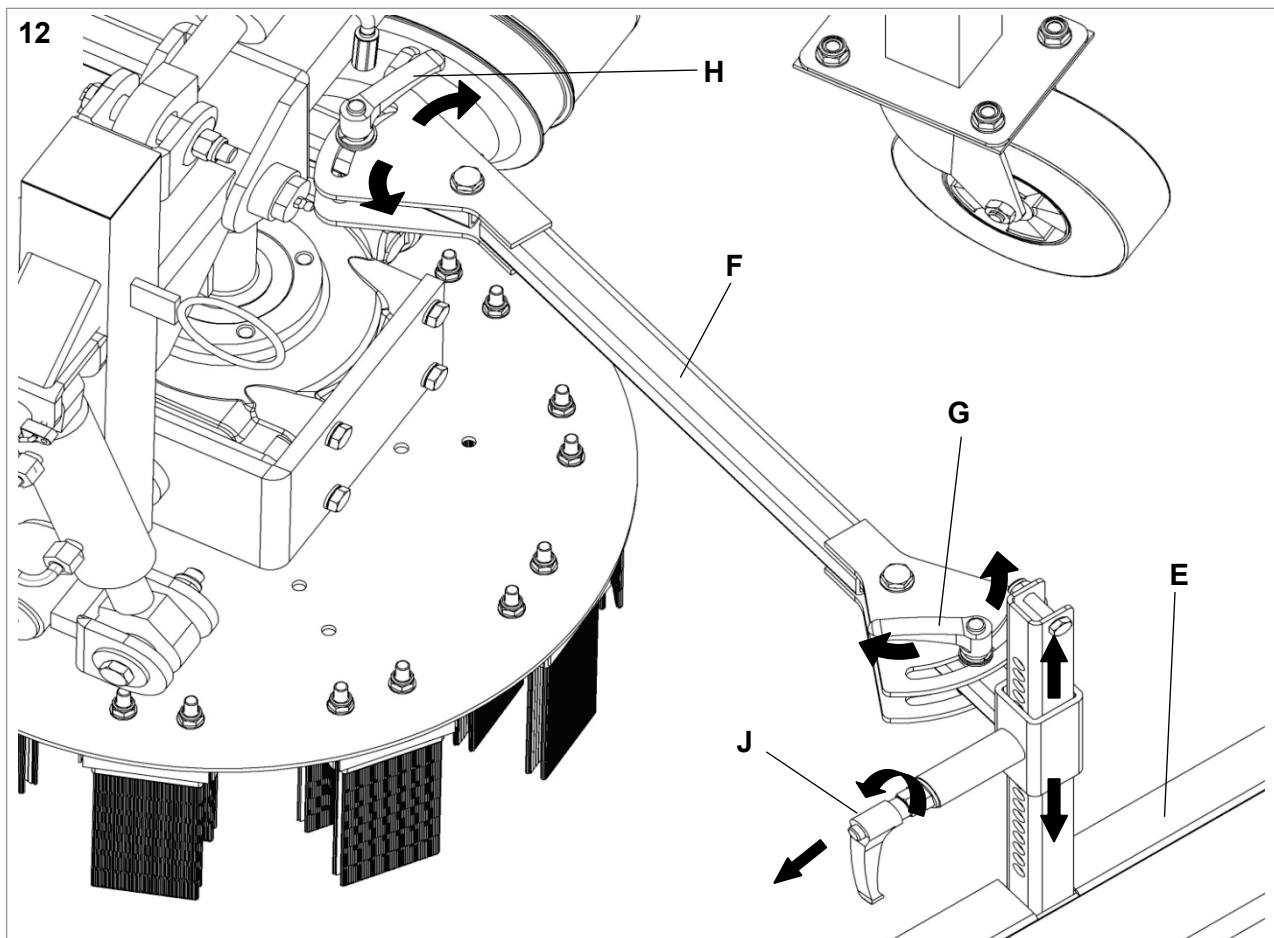
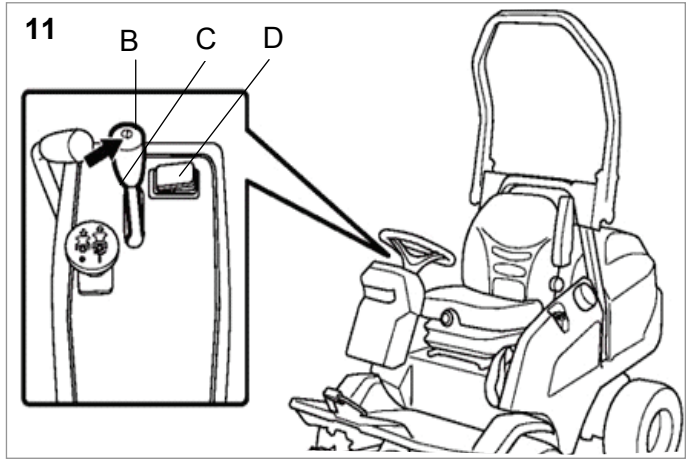
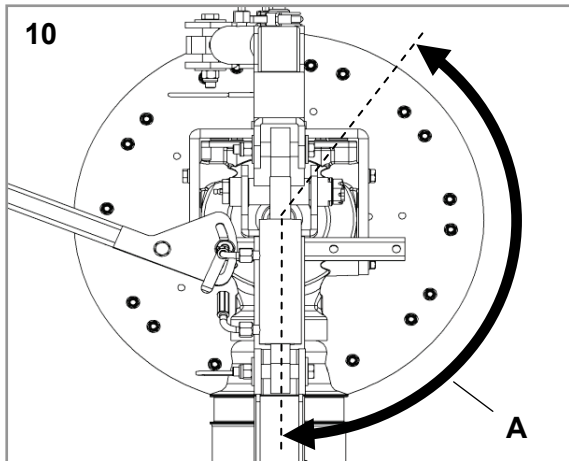
<b>1</b>	<b>Safety instructions</b> .....	<b>7</b>
1.1	General.....	7
1.2	Proper use.....	7
1.3	General safety and accident prevention regulations.....	7
1.4	Pictograms used .....	10
<b>2</b>	<b>Description</b> .....	<b>11</b>
2.1	General description of weed brush .....	11
2.2	Mounting on carrier vehicle .....	11
<b>3</b>	<b>Installation</b> .....	<b>11</b>
3.1	Important information for initial start-up .....	11
3.2	Mechanical coupling.....	11
3.3	Connecting hydraulic hoses .....	12
<b>4</b>	<b>Detaching</b> .....	<b>12</b>
<b>5</b>	<b>Operation</b> .....	<b>12</b>
5.1	Maximum brush plate operating speed .....	12
5.2	Adjusting the brush plate.....	12
5.3	Adjusting the splash guard.....	13
<b>6</b>	<b>Maintenance</b> .....	<b>13</b>
6.1	General.....	13
6.2	Daily maintenance.....	13
6.3	Maintenance after 50 operating hours or long stoppages .....	14
6.4	Replacing brush sections .....	14
<b>7</b>	<b>Technical data</b> .....	<b>15</b>
<b>8</b>	<b>EG - Konformitätserklärung</b> .....	<b>17</b>

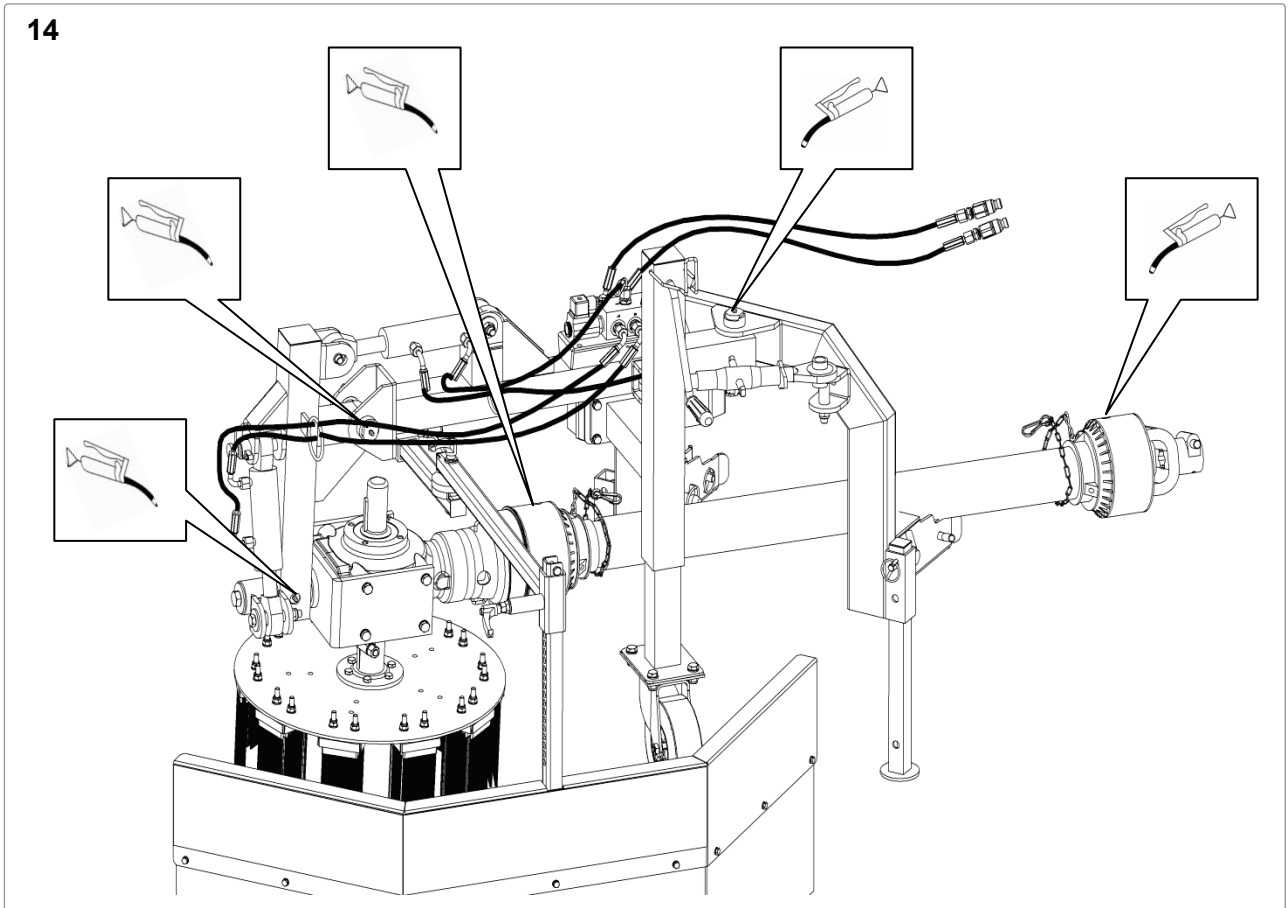












## 1 Safety instructions

The safety instructions in this manual cannot cover all eventualities. It is self-evident that the good judgment and care of the person using and maintaining the machine are as important as the safety features installed in the machine itself.

**To minimize the risk of accidents, make sure the following sections are read and understood.**

### 1.1 General



- This symbol indicates a WARNING. Failure to follow the instructions can result in severe injury and / or damage.



- Before starting the machine, this operating manual, along with the safety instructions for the carrier vehicle, must be read thoroughly.

### 1.2 Proper use



- The weed brush is intended for use with a Husqvarna P 520D or P 525D.
- The machine is designed for clearing weeds in standard applications and work in agriculture and forestry, e.g. lawn care and grounds maintenance.
- Any alternative or additional use is classed as improper. The manufacturer accepts no liability for any resulting damage. The operator is solely responsible for the risk involved.
- Proper use also includes adherence to the operating, service and maintenance conditions stipulated by the manufacturer.
- The attachment may only be used, maintained or repaired by personnel who are familiar with it and are aware of the hazards involved.
- The applicable accident prevention regulations, along with any other generally recognized health and safety rules, must be adhered to.
- Unauthorized modifications to the machine void all manufacturer liability for resulting damage.

### 1.3 General safety and accident prevention regulations

#### 1.3.1 Basic rules



- Observe the safety instructions in the carrier vehicle operating manual.
- In addition to the information provided in this operating manual, observe the generally applicable safety and accident prevention regulations.
- Only trained personnel are permitted to operate this machine.
- Getting caught in rotating parts causes serious injuries. The operator must ensure that no persons or animals can get into the danger area.
- When using the attachment on public highways, the national road traffic regulations must be observed, e.g. rear reflectors, lights.
- The user should wear tightly fitting clothing. Avoid loose clothing and wear solid footwear or safety shoes.
- Only work when visibility and lighting conditions are good.
- In areas with restricted visibility, stop the attachment and make sure that no-one is in the danger area.
- The warning and information signs attached provide important instructions for safe operation. Following these improves your safety.
- For transportation on motor vehicles or trailers, and outside the area being worked on, the attachment must be turned off.



- Exercise caution around rotating and oscillating tools - maintain a safe distance.
- Exercise caution with trailing machine parts. Before working on these, wait until they have completely stopped.
- There are crushing and shearing points on driven parts.
- Attached or towed equipment and loads influence handling, steering, braking and stability. Work at a speed appropriate to the relevant conditions.
- Unauthorized modifications that jeopardize the operating safety of the machine are prohibited.
- Before each use, check that the machine is safe to operate.
- Never remove or modify safety equipment.
- Never move under an unsecured unit for repairs or inspection.

### 1.3.2 Working and danger area



- The user is responsible for third parties in the working area.
- Standing in the danger area around the machine is prohibited. Ensure that all persons have left the danger area. Danger area: 10 m radius
- Before turning on and starting the attachment, check the immediate vicinity. Pay particular attention to children and animals. Ensure adequate visibility.
- Before starting work, remove any foreign bodies from the area to be worked. During work, look out for any further foreign bodies and remove them in good time.
- When working in enclosed areas, the safety distance from the edge must be maintained to avoid damage to the machine and tools.
- When working immediately adjacent to public roads and walkways, where possible drive across them rather than along them as this minimizes the risk of injury to third parties from objects being ejected.
- When working on or immediately adjacent to public roads and spaces, erect information and warning signs to draw the attention of third parties to the work being carried out.



- Due to the risk of injury from catapulted objects, protective goggles are mandatory. Approved protective goggles in this case are those that comply with the ANSI Z87.1 standard for the USA and/or EN 166 for EU countries.

### 1.3.3 Before starting work



- Before starting work, familiarize yourself with all equipment and controls and their function, and make sure that all safety equipment is properly fitted and in the correct position. Once work has started it is too late.
- Before each use, check that the machine is safe to operate.
- Before each use, check that the drive shaft is securely mounted on the drive drum on the carrier vehicle and on the attachment.
- Check the hydraulic connections and hoses for leaks and replace them if necessary.
- Never operate the machine with defective or missing safety equipment.

### 1.3.4 During operation



- If any persons or vehicles approach the danger area (10 m radius), stop the attachment immediately.
- Never leave the operator console while moving.
- Only leave the operator console when the tools on the attachment have come to a standstill.
- Do not make any adjustments to the attachment during operation as this results in a risk of accidents.
- Carrying persons or objects is prohibited.
- If the attachment has picked up a foreign body, for example, and is blocked, turn off the auxiliary power unit, stop the motor and remove the ignition key. The attachment can then be cleared of foreign bodies with a suitable tool. Work must be carried out carefully and observantly, as the components may be braced against one another and could slip abruptly.
- In case of damage, stop the attachment and have the damage repaired.
- If the attachment is vibrating excessively, stop the machine immediately and have the fault repaired by a specialist engineer. Do not continue working under any circumstances.

### 1.3.5 Maintenance, cleaning and repair work



- Only the work described in this operating manual may be carried out to care for and maintain the weed brush.
- Perform maintenance and cleaning work only with the drive turned off and when the motor is stopped.
- If protective equipment and working tools are subject to wear, they must be checked regularly and replaced if necessary.
- Damaged brush sections must be replaced.
- When replacing brush sections, use appropriate tools and wear protective gloves.
- Only use genuine spare parts from the manufacturer, as they comply with the technical requirements and thus minimize the risk of accidents.
- Carry out cleaning work with a high-pressure cleaner, ensuring that the water jet is not aimed directly at bearings, rotating parts, lubricating nipples, shaft sealing rings, wheel hubs, etc. After every clean with the high-pressure cleaner, the lubricating points must be regreased. Failure to comply with this requirement voids all warranty entitlements.
- Check the moving parts for free movement and regrease as required.
- After maintenance and cleaning work, always re-install the safety equipment and set it to safety position.
- Keep the machine clean to reduce the risk of fire.
- Regularly check that nuts and bolts are tightly fitted and tighten if necessary.
- For maintenance, cleaning and repair work on a raised unit, always use appropriate supports to ensure safety.



- Before repair work, make sure that the hydraulic system is depressurized as pressurized fluid can penetrate the skin and cause serious injuries. If injuries of this kind occur, seek medical attention immediately as there is a risk of infection.
- Repairs may only be carried out by specialist personnel.
- Inspect hydraulic hoses for damage and aging at regular intervals and replace if necessary. Replace all hoses after a maximum of 6 years of operation. The date of manufacture is embossed on the hose.

### 1.4 Pictograms used

The following pictograms are located on the unit to inform the operator that care and attention is required when using and maintaining the unit.

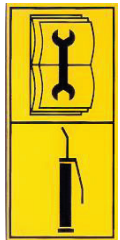
Explanation of pictograms used:



Read and observe the operating manual and the safety instructions before starting up.



Never open or remove safety equipment when the motor is running.



Observe instructions in the technical manual.  
Lubricating point



Do not touch machine components until they have completely stopped.



Hazard due to ejected parts when the motor is running  
- maintain safety distance.



Maximum drive shaft speed 1,600 rpm. Observe instructions in sections 3.1 and 5.1.



Wear protective goggles.



## 2 Description

### 2.1 General description of weed brush

The weed brush consists of a steel construction with an angular gear, on which the tool holder - also known as the brush plate (1:B) - is mounted. The brush plate can be fitted with a tufted brush edging (1:C) or with braided wire rope. The rotation of the brush plate and the propulsion of the carrier vehicle scrape the weeds out of gaps and they are collected by a guard (1:E) (1:D) attached to the side.

### 2.2 Mounting on carrier vehicle

The weed brush is mounted on the lifting struts (3:O) of the carrier vehicle. It is securely connected on each lifting strut with two bolts, as shown in the figure (4:P).

## 3 Installation

### 3.1 Important information for initial start-up

- The carrier vehicle is not equipped with a rev counter. To ensure that the maximum drive shaft speed of 1,600 rpm is not exceeded, the adhesive label supplied (13:K) must be attached on the side next to the throttle lever (13:L). Taking into account the transmission ratio, this corresponds to a brush plate speed of around 300 rpm.
- The adhesive label should be attached as shown in Figure 13. To make it easier to attach, the length of the adhesive label matches the length of the slot for the throttle lever.



**Ensure careful attachment to ensure that the speed does not fall below or exceed the specified level.**



- **The adhesive label (13:K) is part of the machine's safety equipment. Operating the attachment without it is strictly prohibited.**

### 3.2 Mechanical coupling

- Observe the information from the carrier vehicle operating manual.
- When coupling there is a risk of injury, e.g. due to crushing. Exceptional care is required.
- The procedure for coupling the attachment is as follows:
  1. Lower the lifting struts and move the carrier vehicle slowly towards the attachment in a straight line.
  2. Open the viewing panel on the base (2:N) and observe carefully to make sure the lifting struts engage in the holding pockets (3:O). Also ensure that the shaft (4:Q) is in the correct position.
  3. When the fastening holes are aligned, a large and a small locking bolt are inserted and secured with a cotter pin (4:P).
  4. Push the drive shaft onto the splined shaft on the carrier vehicle and secure the chain on the carrier machine (5:R) to prevent the shaft guard from turning with the shaft.
  5. Raise the attachment and move the supports to the upper end position.
  6. Hook up the electrical connection to the carrier vehicle.

### 3.3 Connecting hydraulic hoses



- Before connecting the hydraulic hoses, make sure that the carrier vehicle hydraulic system is not pressurized.
- Before connecting, make sure all connections are clean. Impurities in the hydraulic fluid can cause severe damage to the hydraulic system.
- Stop the motor.
- Move the hydraulic controls back and forth to relieve any excess pressure.
- Remove the protective covers (7:T) from the couplings and connect the hydraulic connection as shown in figures 7 - 9.

## 4 Detaching



- Observe the information from the carrier vehicle operating manual.
- When uncoupling there is a risk of injury, e.g. due to crushing. Exceptional care is required.
- The procedure for uncoupling the attachment is as follows:
  1. Raise the attachment and move the supports to the lower end position.
  2. Detach the chain from the shaft guard on the carrier machine and disconnect the shaft.
  3. Lower the attachment and stop the motor.
  4. Release any excess pressure in the hydraulic system by moving all hydraulic controls back and forth.
  5. Disconnect the hydraulic hoses and fit the protective covers on the couplings.
  6. Disconnect the electrical connection to the carrier vehicle.
  7. Remove the locking bolts (4:P) and carefully reverse away.

## 5 Operation

### 5.1 Maximum brush plate operating speed

Caution:



- The maximum speed of the shaft is 1,600 rpm. Note that when the power take-off is turned on, the throttle lever may not be pushed further forward (see Fig. 13) than indicated by the adhesive label (13:K) attached next to the throttle lever (13:L).
- Section 3.1 describes how to attach the adhesive label (13:K).



- **The adhesive label (13:K) is part of the machine's safety equipment. The attachment may not be operated without this adhesive label.**

### 5.2 Adjusting the brush plate

#### 5.2.1 General

- The working height of the brush plate is adjusted using the trailing stabilizer wheel (1:G). The working height depends on the position of the brush plate (1:B) and the degree of wear of the brushes (1:C).
- The plate is adjusted according to the severity of the weed growth. The working range of the brush plate is shown in Figure (10:A). A good performance is achieved when the brush plate is tilted slightly to the right and slightly backwards, viewed in the direction of travel.
- Particularly good results are achieved after precipitation and in damp weather.
- The travel speed depends on the severity of the weed growth.

## 5.2.2 Adjusting the brush plate inclination

- The brush plate inclination angle is adjusted using the hydraulic cylinders (1:I and 1:H). The cylinder (1:I) pivots the brush plate laterally to the direction of travel. The cylinder (1:H) pivots the brush plate forwards and backwards relative to the direction of travel.
- They are controlled by the valve lever (11:C) on the carrier vehicle. To ensure that the hydraulic auxiliary drive is actuated and not the lifting struts, the top button (11:B) on the valve lever must be pressed and held down while operating the valve lever.
- The rocker switch (11:D) is used to select either the cylinder (1:I) or the cylinder (1:H).

## 5.3 Adjusting the splash guard

- The rotary motion of the brush plate throws out materials such as weeds, stones, and other objects. To prevent this material from leaving the working area, a splash guard (1:E+D) is attached to the side of the machine.



**Always ensure that the splash guard is adjusted correctly to prevent a risk of injury and damage to third party property.**

- The splash guard setting depends on the brush plate position and local conditions.
- Figure (12) shows the possible splash guard settings. The angle of the pivot arm (12:F) can be adjusted by releasing the clamping lever (12:H). Similarly, the angle of the splash guard (12:E) is adjusted using the clamping lever (12:G).
- The rubber flaps (1:D) on the splash guard must rest lightly on the ground in working position. Adjust the height of the splash guard as follows:
  1. Loosen the clamping lever (12:J) by turning it to the left.
  2. Pull the clamping lever
  3. Adjust the height
  4. Release the clamping lever, making sure that it engages in a hole
  5. Tighten the clamping lever by turning it to the right

# 6 Maintenance

## 6.1 General

- The weed brush must be maintained regularly.
- Failure to comply with this requirement can result in injuries or damage to the machine. Before each use, check all parts relevant to safety.
- The safety instructions set out in 1.3.5 must be followed.
- Repair, maintenance and cleaning work, as well as remedying malfunctions, must only ever be carried out with the drive turned off and the motor stopped. Remove the ignition key or the spark plug connector. After carrying out the work, re-install all safety equipment.
- Check all screw and bolt connections after the first 5 hours of operation.

## 6.2 Daily maintenance

- Check safety equipment and brush sections for wear and replace if necessary.
- Check that brush sections are mounted securely.
- Damaged brush sections must be replaced.
- Check that the brush plate has nothing wrapped around it, e.g. wire.
- Check that the moving parts move freely and lubricate them at the lubrication point, as shown in Figure 14. Remove any excess grease.
- Carry out a test run before each use.
- Check the hydraulic connection and lines for leaks.
- Lubricate the drive shaft as specified by the manufacturer.



### **6.3 Maintenance after 50 operating hours or long stoppages**

- The moving parts must be greased or oiled at regular intervals, and at the beginning and end of every season.
- Check hydraulic fittings and hoses for leaks and damage, and replace if necessary. Refer to the legal requirements for the maximum usage period.

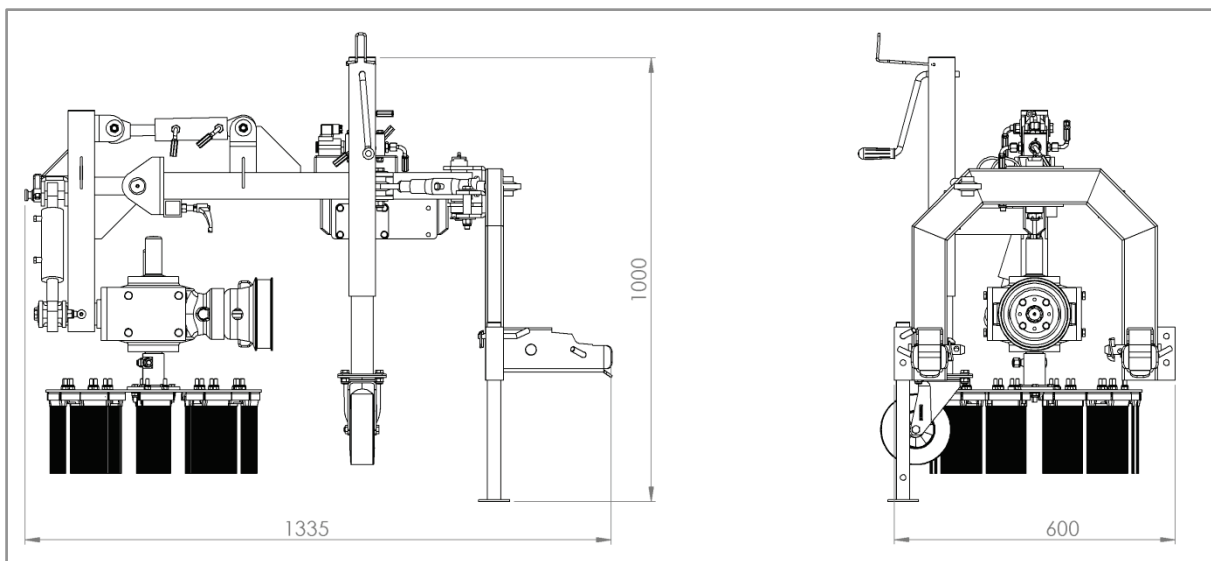
### **6.4 Replacing brush sections**

- Brush sections may only be replaced by specialist personnel.

## 7 Technical data

Technical data	
Drive	Mechanical
Sound level $L_{pA,eq}$	81.5 dB(A) at operator ear Measurement based on DIN EN 12733:2009
Max. power take-off speed	1,600 rpm
Max. brush plate speed	300 rpm
Brush plate $\varnothing$	50 cm
Tufted brush edging	20 units
Weight	195 kg
Length / Width / Height	134 / 60 (without splash guard) / 100 cm

– Subject to technical modifications. –



## 8 EG - Konformitätserklärung

CE Déclaration de conformité  
EC Declaration of Conformity  
EG conformiteitsverklaring



D

Wir

F

Nous

GB

We

NL

Wij

**Kersten Arealmaschinen GmbH**  
Empeler Straße 95  
D- 46459 Rees

erklären, dass das  
Produkt

déclarons que le produit

herewith declare that  
the product

verklaren dat het produkt

**Wildkrautbürste**

**Brosse déherbante**

**Weed brush**

**Kruidborstel**

## UB 5070 M-ABR

mit allen einschlägigen  
Bestimmungen der EG-  
Maschinenricht- linie  
2006/42/EG in  
Übereinstimmung ist.

satisfait à l'ensemble de la  
directive machines  
2006/42/CE.

fulfills all relevant  
provisions of Directive  
2006/42/EC.

voldoet aan alle  
toepasselijke be- palingen  
van EG-Machinerichtlijn  
2006/42/EG.

Die Maschine ist auch  
in Übereinstimmung mit  
allen einschlägigen  
Bestimmungen der fol-  
genden EG-Richtlinien:

Cette machine satisfait  
également à toutes les  
dispositions pertinentes  
des directives CE  
suivantes:

The machinery is also  
in compliance with all  
relevant provisions of  
the following EC  
directives:

De machine is ook in  
overeenstemming met  
alle toepasselijke  
bepalingen van de vol-  
gende EG- richtlijnen:

Weiterhin wurden fol-  
gende Normen ange-  
wendet:

En outre, les normes et  
spécifications techniques  
suivantes ont été utilisées:

The following  
harmonised standards  
apply:

Volgende geharmoni-  
seerde normen warden  
gehanteerd:

### EN ISO 12100: 2010

Herr

Monsieur

Mr.

De heer

**Dipl.- Ing. (FH) Robert Bosch**  
Empeler Straße 95  
D- 46459 Rees

ist bevollmächtigt die  
technischen Unter-  
lagen zusammenzu-  
stellen.

est autorisé à constituer la  
documentation Technique  
conformément à l'annexe  
VII A.

is authorized to  
compile the technical  
file according to Annex  
VII A.

is gemachtigd het  
technische dossier samen  
te stellen.

Rees, 03.12.2014

Geschäftsführer

Directeur

Managing Director

Bedrijfsleider

**[www.husqvarna.com](http://www.husqvarna.com)**

## **Original instructions**

**Order number: B00062    From machine no.: 55010    Revision: R00    As of: 01.01.2015**

**2015-02-19**