

HUSQVARNA - КАТАЛОГ ЗАПЧАСТЕЙ

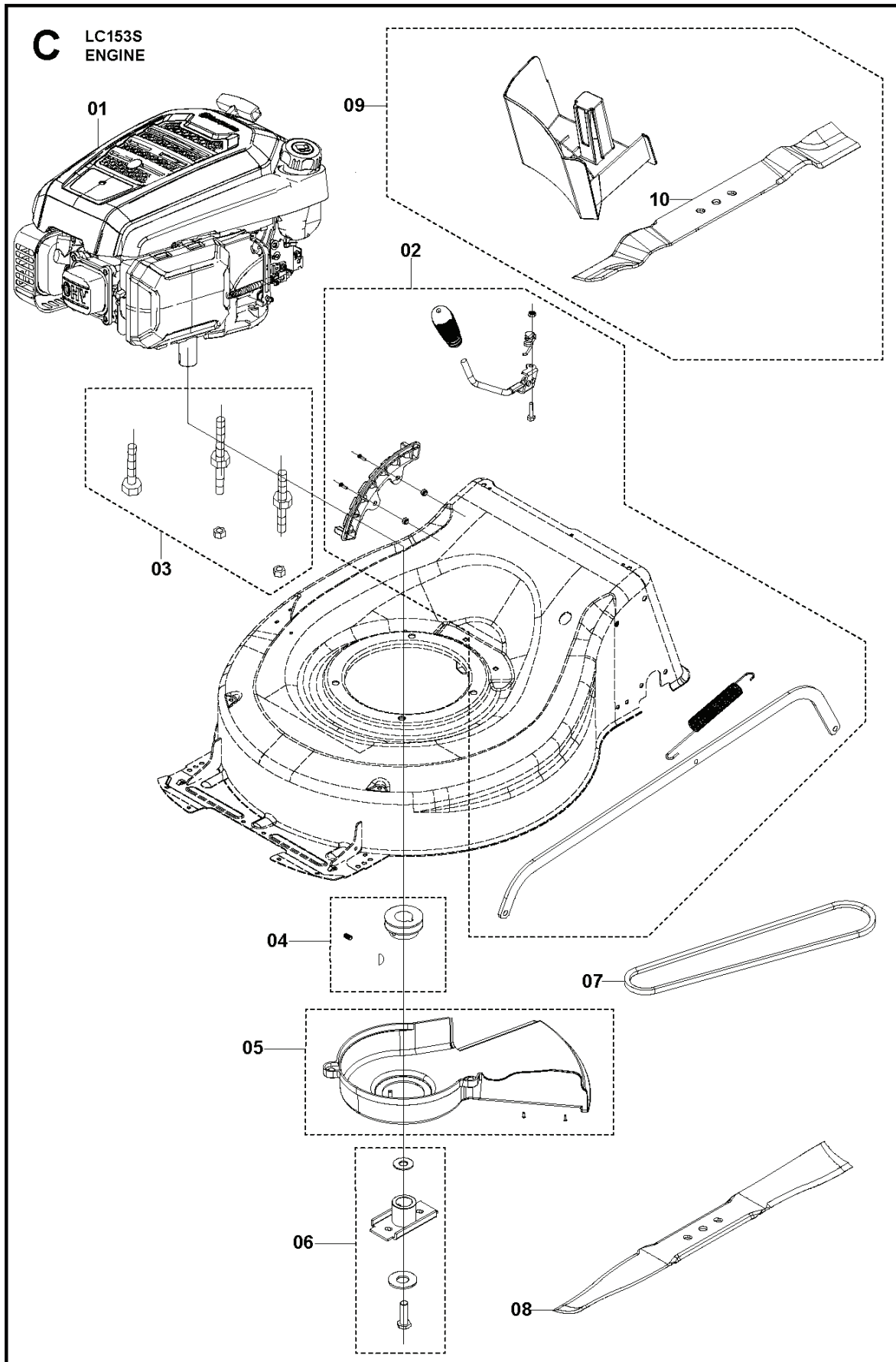
LAWN MOWERS: CONSUMER WALK-BEHINDS: HUSQVARNA LC 151S

Список запчастей

СПИСОК ЗАПЧАСТЕЙ

LAWN MOWERS: CONSUMER WALK-
BEHINDS

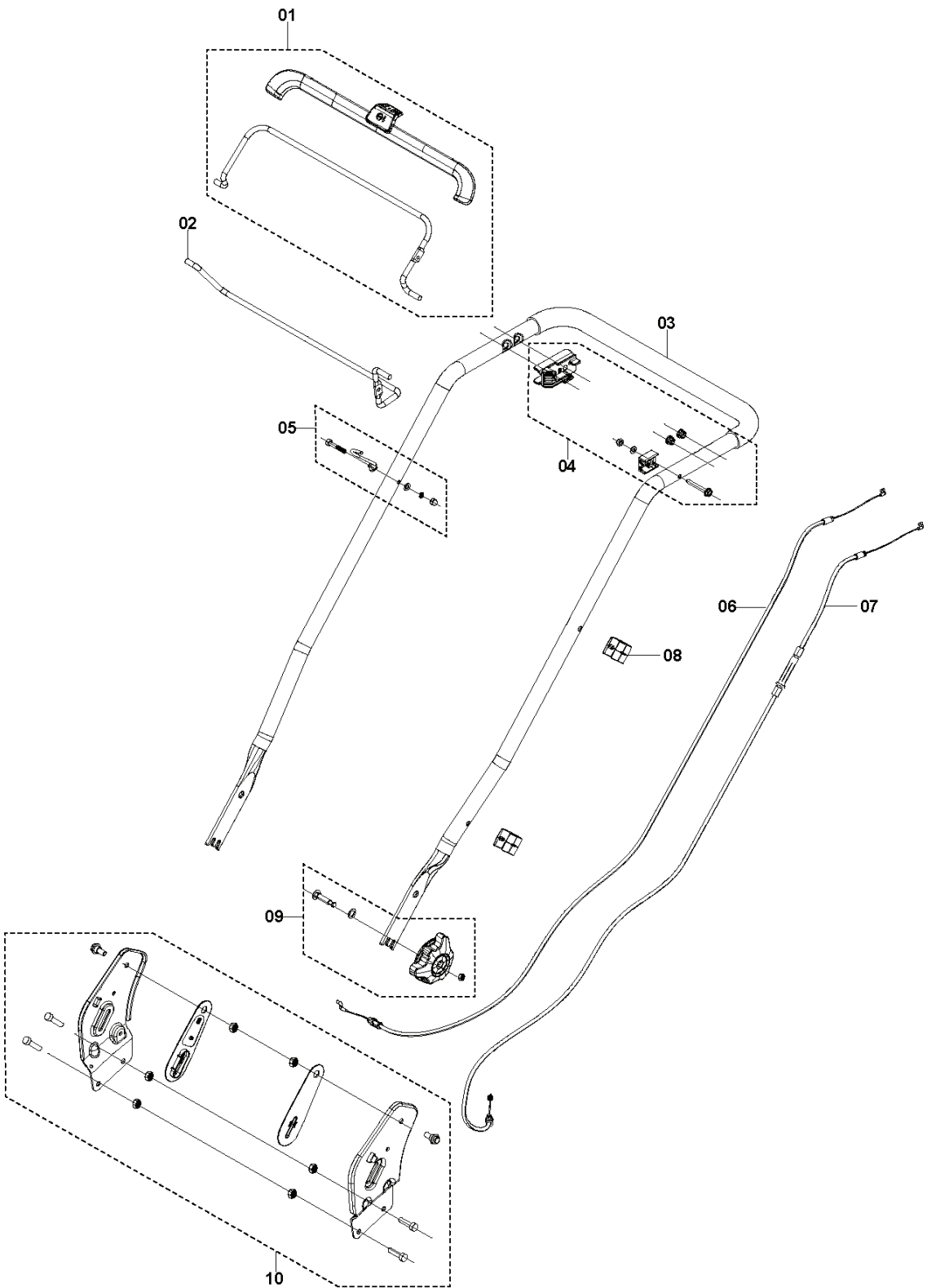
HUSQVARNA LC 151S



LAWN MOWERS: CONSUMER WALK-BEHINDS

PXM_REF	PXM_PARTNO	ОПИСАНИЕ	PXM_REMARK	КОЛ-ВО
1	599912501	Продукция		1
2	598684107	HEIGHT ADJUSTER	HEIGHT ADJUSTER	1
3	529595101	INSTALLATION KIT	BOLTS AND NUTS	1
4	529596101	Шкив	DRIVE PULLEY	1
5	598513501	КРЫШКА	BELT COVER	1
6	529595001	BLADE SUPPORT	BLADE ADAPTER	1
7	598974001	Ремень приводной 272К 14"	BELT	1
8	598562601	Нож для обрез.веток 80 см	Collect 51 cm	1
9	598018001	MULCH KIT	MULCHING KIT	0
10	597683901	Нож для обрез.веток 80 см	"BLADE 20" mulch blade petrol engine"	0

B LC 151S
HANDLE

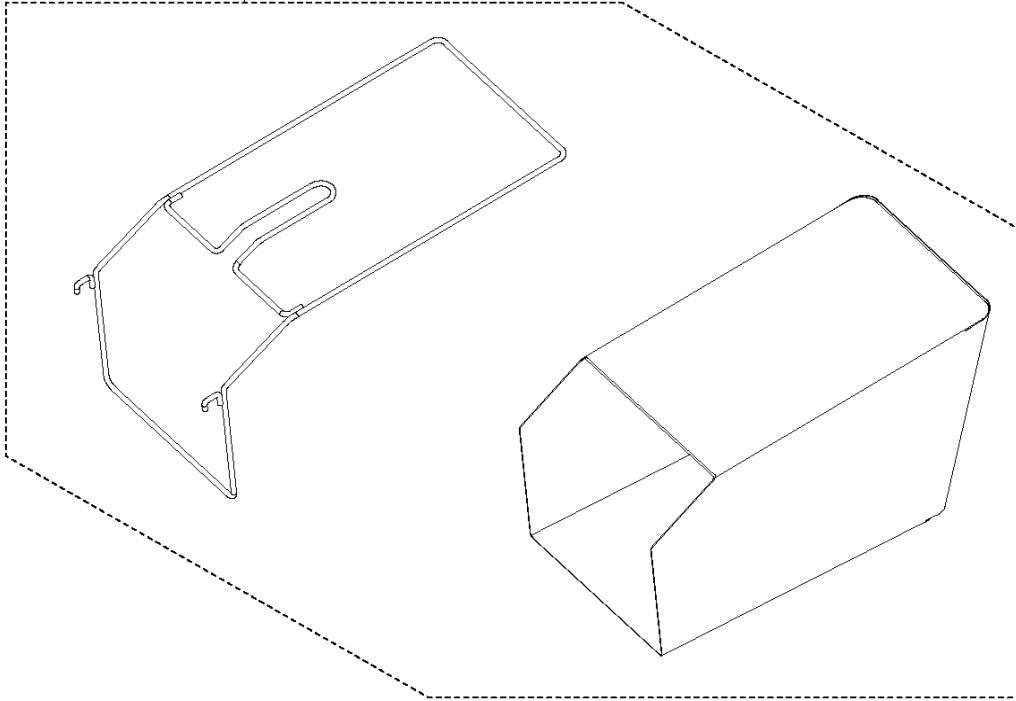


LAWN MOWERS: CONSUMER WALK-BEHINDS

PXM_REF	PXM_PARTNO	ОПИСАНИЕ	PXM_REMARK	КОЛ-ВО
1	598818201	BAIL ARM ASSY	BAIL ARM	1
2	598861901	ROD	DRIVE ROD	1
3	598722001	HANDLE KIT	HANDLE AND SHEATH	1
4	598684129	BAIL ARM ASSY	BAIL ARM	1
5	598825601	HANDLE KIT	HANDLE	1
6	529596301	Провод	FLAMEOUT CABLE	1
7	598861601	CABLE ASSY 2035	DRIVE CABLE ASSY	1
8	598861401	CLAMP	CABLE CLIP	1
9	598684125	KNOB ASSY	KNOB	2
10	598684113	SUPPORT KIT	HANDLE BRACKET	1

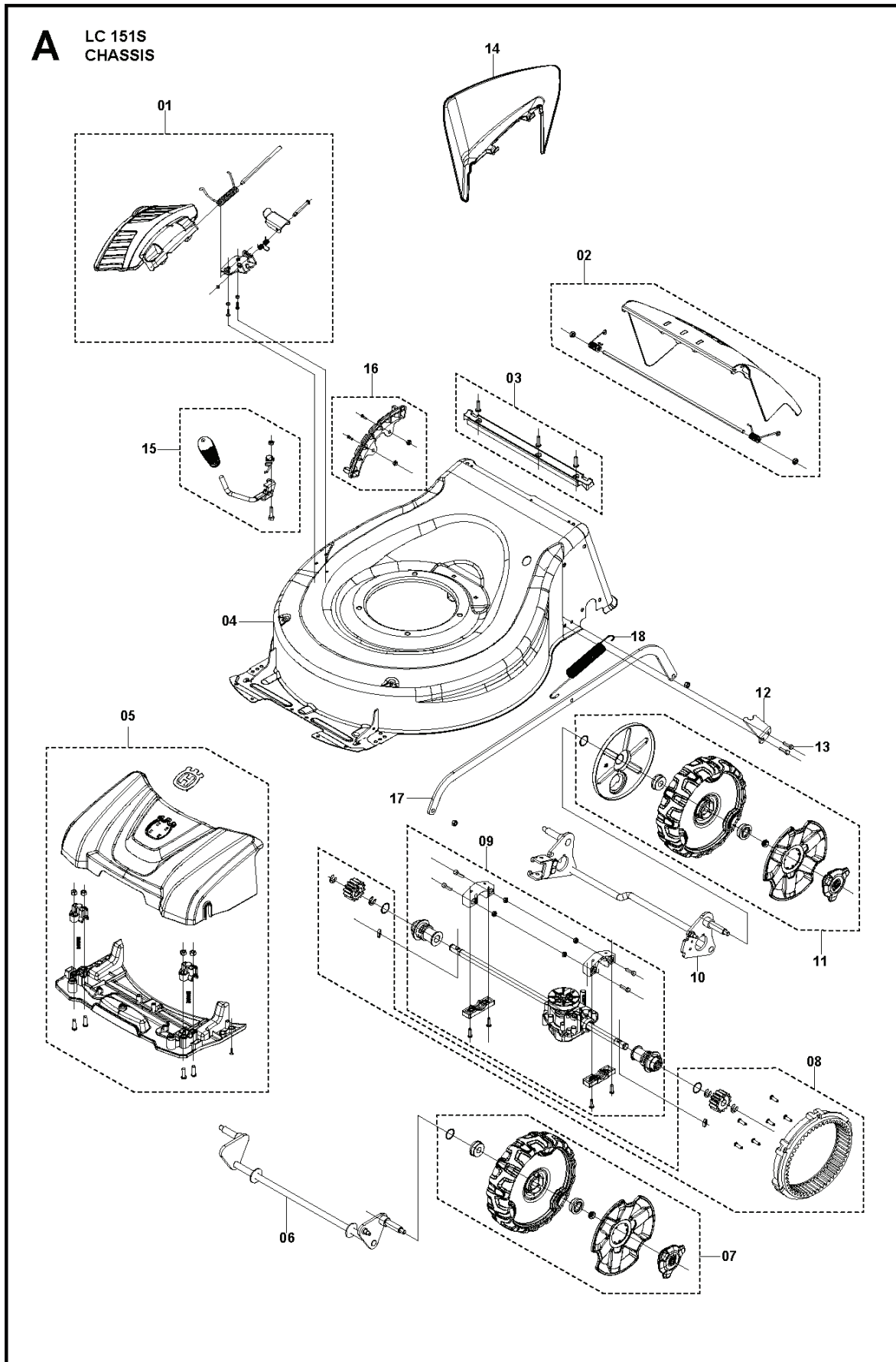
D LC 151S
GRASS HANDLING

01



LAWN MOWERS: CONSUMER WALK-BEHINDS

РХМ_REF	РХМ_ PARTNO	ОПИСАНИЕ	РХМ_REMARK	КОЛ- ВО
1	598684121	GRASS BAG ASSY	GRASS BAG KIT	1



LAWN MOWERS: CONSUMER WALK-BEHINDS

PXM_REF	PXM_PARTNO	ОПИСАНИЕ	PXM_REMARK	КОЛ-ВО
1	598684111	PLATE KIT	SIDE DISCHARGE PLATE	1
2	598684119	FLAP	REAR DOOR	1
3	598684128	Уплотнительная пластина	SEALING PLATE	1
4	598861201	Крышка в сборе	CHASSIS	1
5	598684122	COVER KIT	FRONT COVER	1
6	598818701	AXLE	WHEEL AXLE	1
7	598512901	Колесо	FRONT WHEEL	2
8	598684117	Набор шестернь	WHEEL DRIVE	2
9	598513701	TRANSMISSION KIT	REAR TRANSMISSION	1
10	598684109	AXLE	WHEEL AXLE	2
11	598684103	Колесо	FRONT WHEEL	2
12	598860801	Пластина	PLATE GAUGE PLATE	1
13	598861301	BOLT 0 16X32	BOLT CLIP	1
14	598819001	КРЫШКА	SIDE PROTECTION COVER	1
15	599139101	HANDLE KIT	HEIGHT ADJUSTMENT HANDLE	1
16	599139001	PLATE KIT	HEIGHT ADJUSTMENT PLATE	1
17	599138801	ROD	HEIGHT ADJUSTMENT ROD	1
18	599138901	Пружина	HEIGHT ADJUSTMENT SPRING	1