

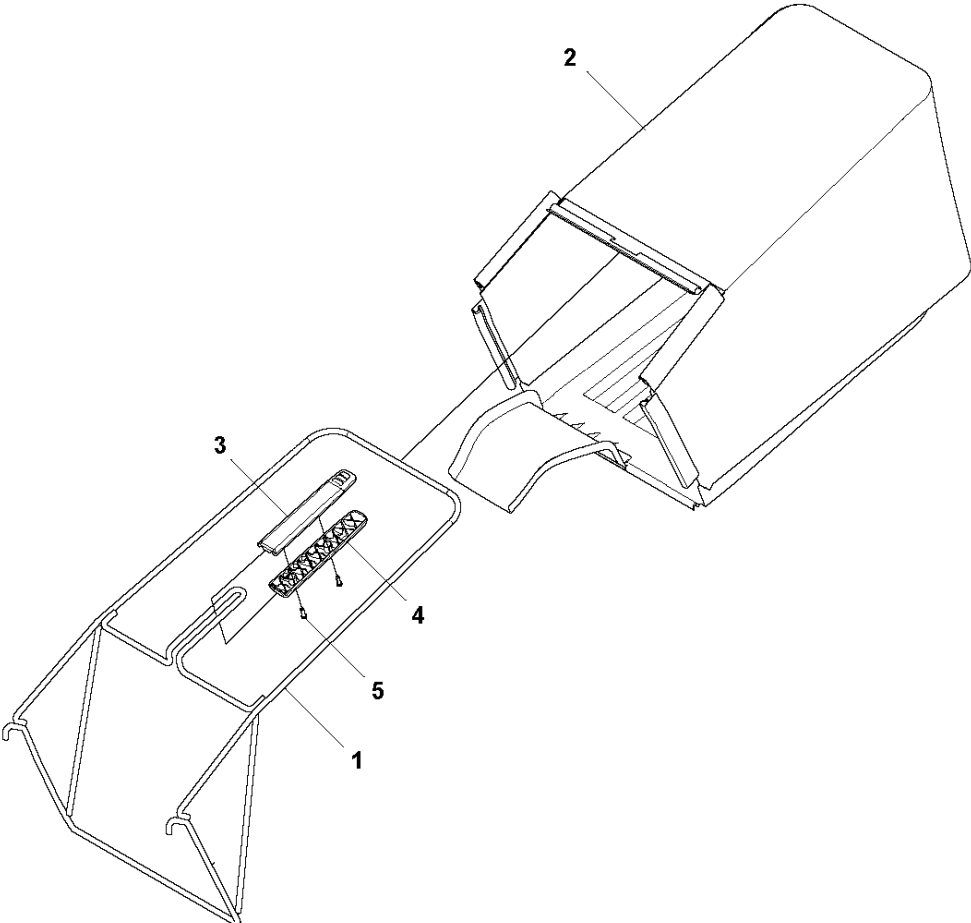


# SPARE PARTS LIST

LAWN MOWERS: CONSUMER  
WALK-BEHINDS

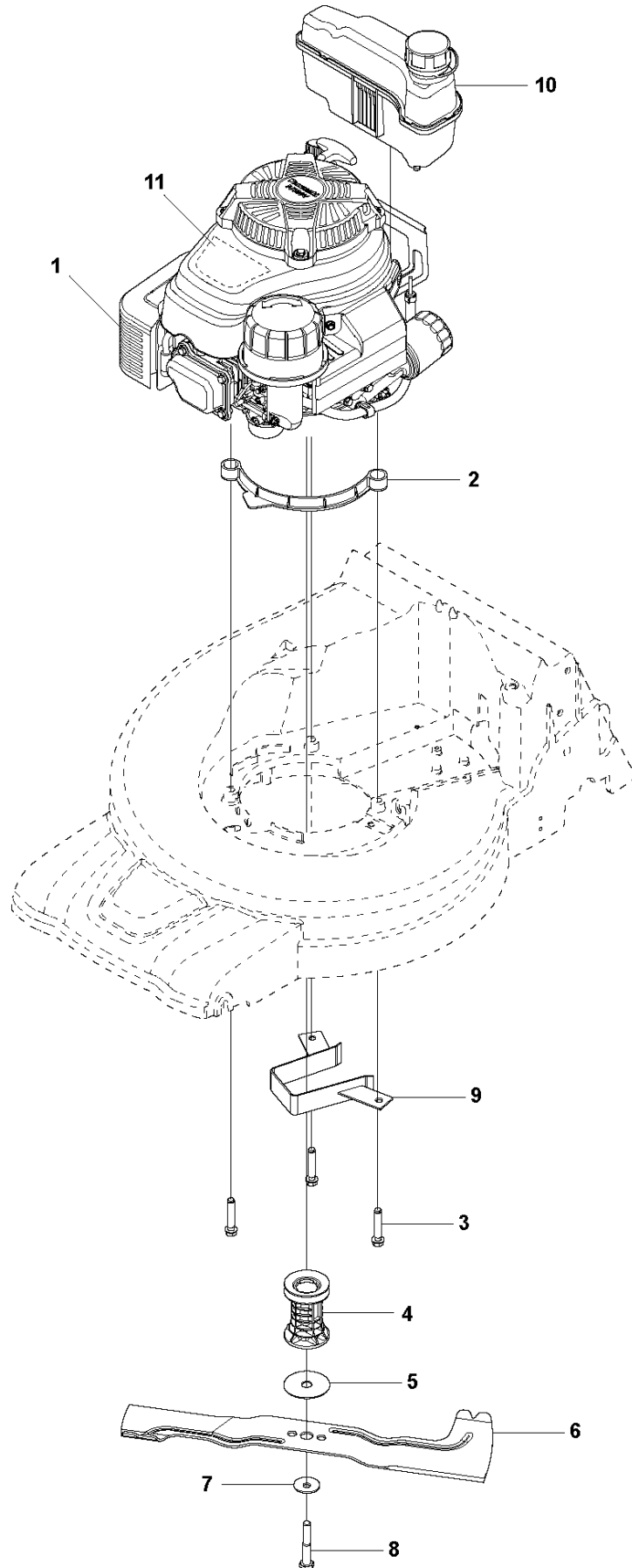
LC551 SP, 967343201

**D** LC451S LC551SP  
COLLECT PARTS



| Ref | Part No      | Description  | Remark | QTY KIT |
|-----|--------------|--------------|--------|---------|
| 1   | 587 19 70-01 | BAG FRAME    |        | 1       |
| 2   | 587 19 71-01 | BAG          |        | 1       |
| 3   | 588 18 84-02 | HANDLE       |        | 1       |
| 4   | 588 18 85-02 | HANDLE       |        | 1       |
| 5   | 502 43 53-01 | SCREW ITPANT |        | 2       |

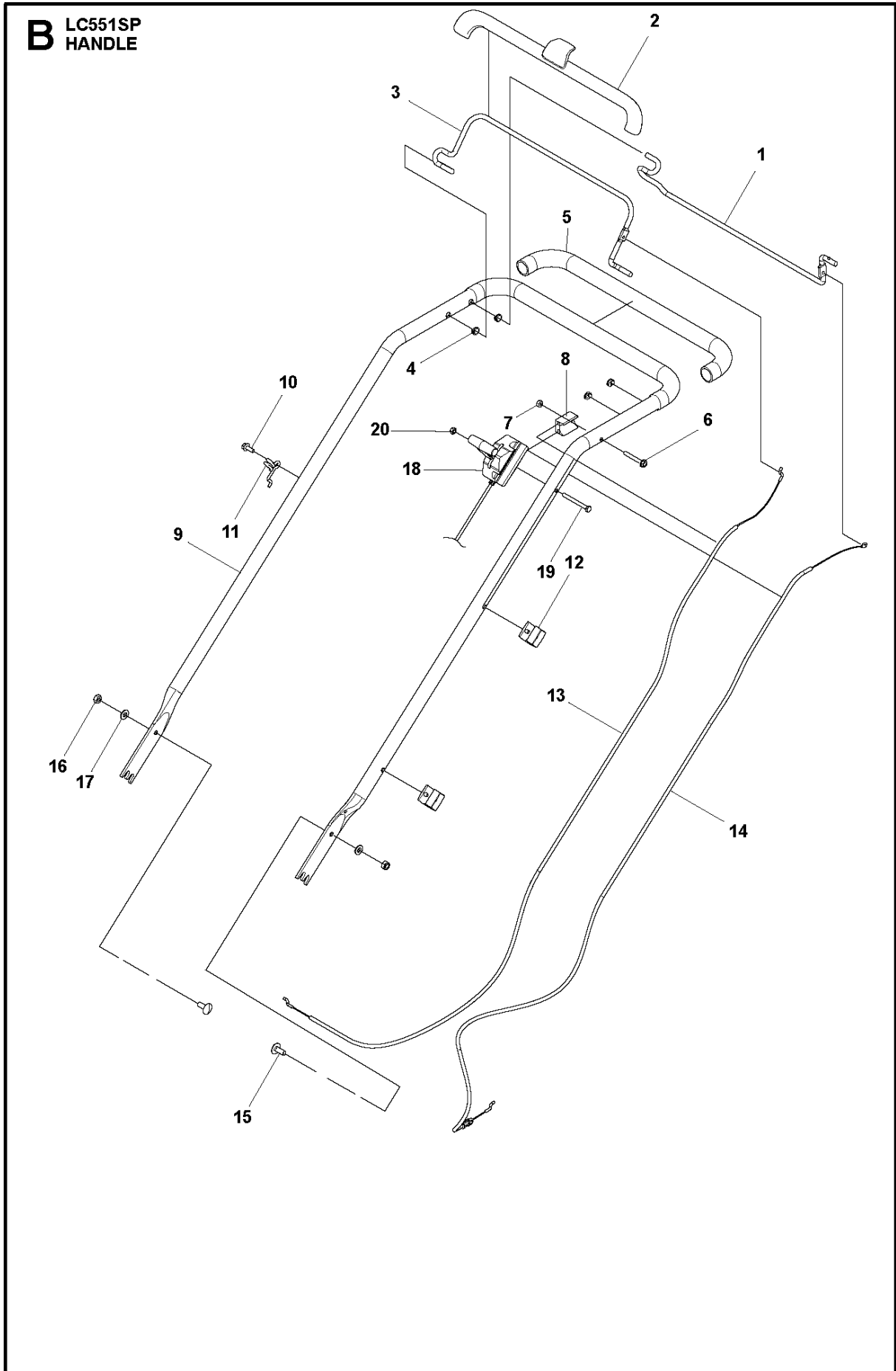
**C** LC551SP  
Engine



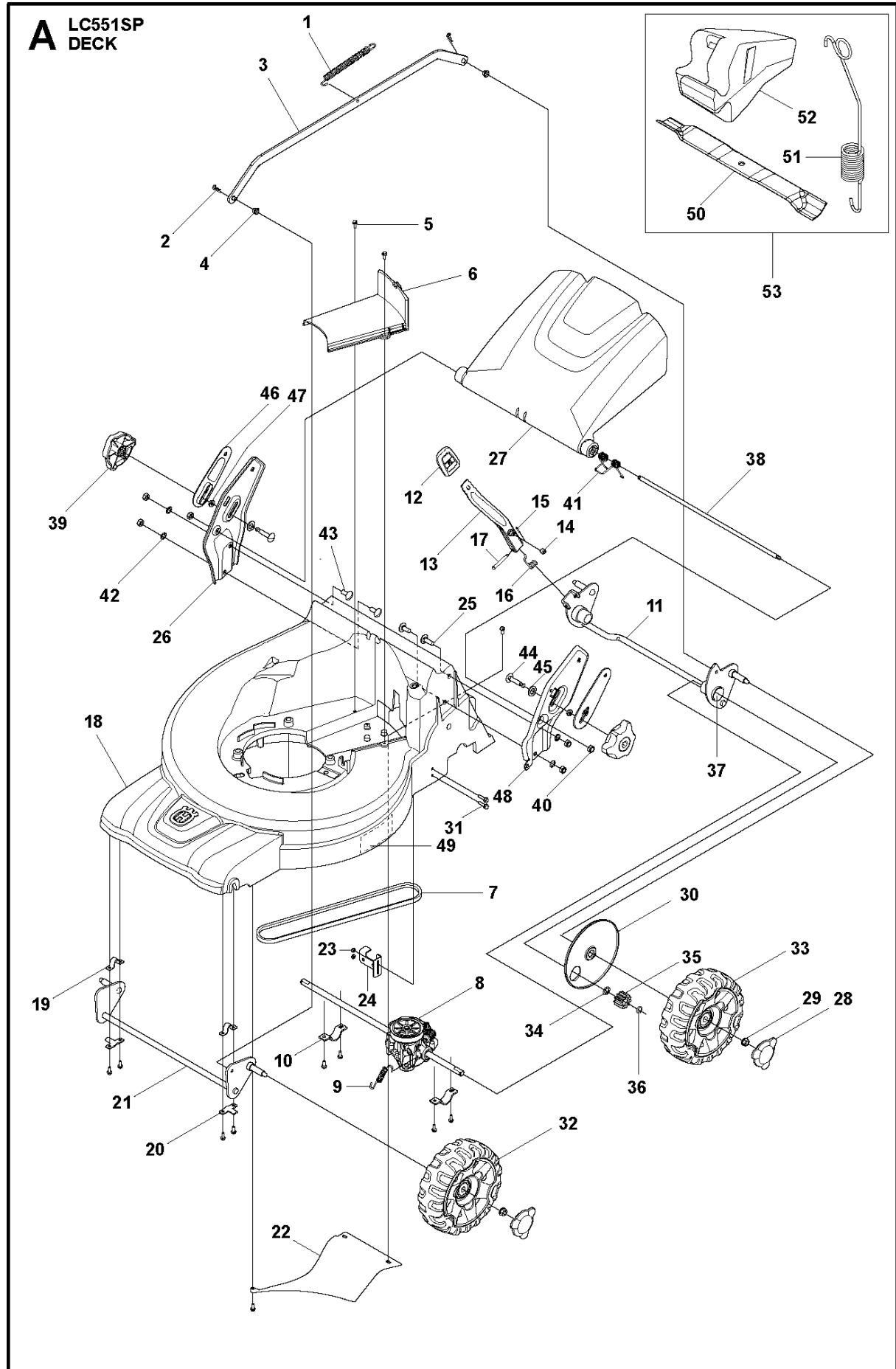
## ENGINE

LC551 SP, 967343201

| Ref | Part No      | Description   | Remark                 | QTY KIT |
|-----|--------------|---------------|------------------------|---------|
| 1   | 588 62 55-01 | ENGINE ASSY   | Kawasaki engine FJ180V | 1       |
| 2   | 531 20 63-08 | PAWL          |                        | 1       |
| 3   | 531 21 38-45 | SCREW         |                        | 3       |
| 4   | 588 64 57-01 | BLADE SUPPORT |                        | 1       |
| 5   | 503 25 94-01 | WASHER        |                        | 1       |
| 6   | 587 59 08-10 | MOWER BLADE   |                        | 1       |
| 7   | 503 33 25-01 | SPRING        |                        | 1       |
| 8   | 504 45 64-03 | SCREW EHHI    |                        | 1       |
| 9   | 544 46 86-01 | BELT GUIDE    |                        | 1       |
| 10  | 587 31 41-01 | TANK ASSY     |                        | 1       |
| 11  | 588 99 31-01 | DECAL         |                        | 1       |



| Ref | Part No      | Description         | Remark | QTY KIT |
|-----|--------------|---------------------|--------|---------|
| 1   | 587 10 18-02 | BAIL                |        | 1       |
| 2   | 587 10 25-02 | GRIP                |        | 1       |
| 3   | 587 10 17-02 | BAIL                |        | 1       |
| 4   | 503 32 09-01 | BUSHING             |        | 4       |
| 5   | 501 11 01-01 | TUBE                |        | 1       |
| 6   | 725 23 79-51 | SCREW EHHM          |        | 1       |
| 7   | 732 25 16-01 | HEXAGON LOCKING NUT |        | 1       |
| 8   | 531 20 80-43 | BRACKET             |        | 1       |
| 9   | 587 19 74-02 | HANDLE              |        | 1       |
| 10  | 725 23 68-61 | SCREW EHHFT         |        | 1       |
| 11  | 587 10 27-01 | EYELET              |        | 1       |
| 12  | 579 13 46-01 | CABLE HOLDER        |        | 2       |
| 13  | 588 20 48-01 | CABLE               |        | 1       |
| 14  | 588 20 48-02 | CABLE               |        | 1       |
| 15  | 588 87 75-01 | SCREW               |        | 2       |
| 16  | 732 21 18-01 | LOCK NUT            |        | 2       |
| 17  | 734 11 64-01 | WASHER              |        | 2       |
| 18  | 588 44 65-01 | CONTROL LEVER       |        | 1       |
| 19  | 725 23 82-51 | SCREW EHHM          |        | 1       |
| 20  | 732 25 16-01 | HEXAGON LOCKING NUT |        | 1       |





## MOWER DECK / CUTTING DECK

LC551 SP, 967343201

| Ref | Part No      | Description         | Remark | QTY | KIT |
|-----|--------------|---------------------|--------|-----|-----|
| 1   | 531 20 57-15 | SPRING              |        | 1   |     |
| 2   | 531 20 66-53 | PIN                 |        | 2   |     |
| 3   | 587 19 85-01 | ROD                 |        | 1   |     |
| 4   | 501 62 25-01 | BUSHING             |        | 2   |     |
| 5   | 531 20 73-85 | SCREW               |        | 13  |     |
| 6   | 531 21 32-25 | COVER               |        | 1   |     |
| 7   | 587 63 05-01 | BELT                |        | 1   |     |
| 8   | 587 78 05-01 | GEARBOX ASSY        |        | 1   |     |
| 9   | 586 91 94-01 | SPRING              |        | 1   |     |
| 10  | 531 20 66-52 | SUPPORT             |        | 2   |     |
| 11  | 587 19 80-01 | AXLE                |        | 1   |     |
| 12  | 581 74 67-01 | KNOB                |        | 1   |     |
| 13  | 581 17 86-01 | LEVER ASSY          |        | 1   |     |
| 14  | 587 23 71-01 | CAP                 |        | 1   |     |
| 15  | 587 19 84-01 | PIN                 |        | 1   |     |
| 16  | 531 21 08-17 | SPRING              |        | 1   |     |
| 17  | 587 19 82-01 | PEN                 |        | 1   |     |
| 18  | 587 19 75-02 | CHASSIS             |        | 1   |     |
| 19  | 501 07 89-01 | SUPPORT             |        | 2   |     |
| 20  | 501 07 91-01 | SUPPORT             |        | 2   |     |
| 21  | 587 19 81-01 | AXLE                |        | 1   |     |
| 22  | 501 96 60-01 | DEFLECTOR           |        | 1   |     |
| 23  | 732 25 14-01 | HEXAGON LOCKING NUT |        | 2   |     |
| 24  | 588 27 65-01 | STOP                |        | 1   |     |
| 25  | 587 19 68-01 | HANDLE SUPPORT      |        | 1   |     |
| 26  | 587 19 67-02 | HANDLE SUPPORT      |        | 1   |     |
| 27  | 587 19 72-01 | HATCH               |        | 1   |     |
| 28  | 584 15 94-01 | NUT CAP             |        | 4   |     |
| 29  | 504 85 78-01 | NUT                 |        | 4   |     |
| 30  | 587 19 79-01 | DUST COVER          |        | 2   |     |
| 31  | 725 23 31-51 | SCREW               |        | 2   |     |
| 32  | 587 64 49-01 | WHEEL ASSY          |        | 2   |     |
| 33  | 587 19 76-01 | WHEEL ASSY          |        | 2   |     |
| 34  | 504 46 08-01 | WASHER              |        | 2   |     |
| 35  | 544 34 23-01 | PINION              |        | 2   |     |
| 36  | 531 20 87-72 | WASHER              |        | 2   |     |
| 37  | 584 40 46-01 | BALL BEARING        |        | 2   |     |
| 38  | 587 19 73-01 | ROD                 |        | 1   |     |
| 39  | 587 23 72-01 | KNOB                |        | 2   |     |
| 40  | 732 21 18-01 | LOCK NUT            |        | 6   |     |
| 41  | 501 32 25-01 | SPRING              |        | 1   |     |
| 42  | 531 20 79-81 | WASHER              |        | 4   |     |
| 43  | 588 87 75-01 | SCREW               |        | 3   |     |
| 44  | 588 15 73-01 | BOLT                |        | 2   |     |
| 45  | 588 15 74-01 | WASHER              |        | 2   |     |
| 46  | 587 78 04-01 | WASHER              |        | 2   |     |
| 47  | 731 43 18-01 | HEXAGON THIN NUT    |        | 2   |     |
| 48  | 587 19 68-02 | HANDLE SUPPORT      |        | 1   |     |
| 49  | 584 80 53-01 | LABEL               |        | 2   |     |
| 50  | 589 57 22-20 | MOWER BLADE         |        | 1   | 53  |
| 51  | 531 20 58-31 | SPRING              |        | 1   | 53  |
| 52  | 531 21 32-26 | PLUG                |        | 1   | 53  |
| 53  | 589 21 49-01 | MULCH KIT           |        | 1   |     |