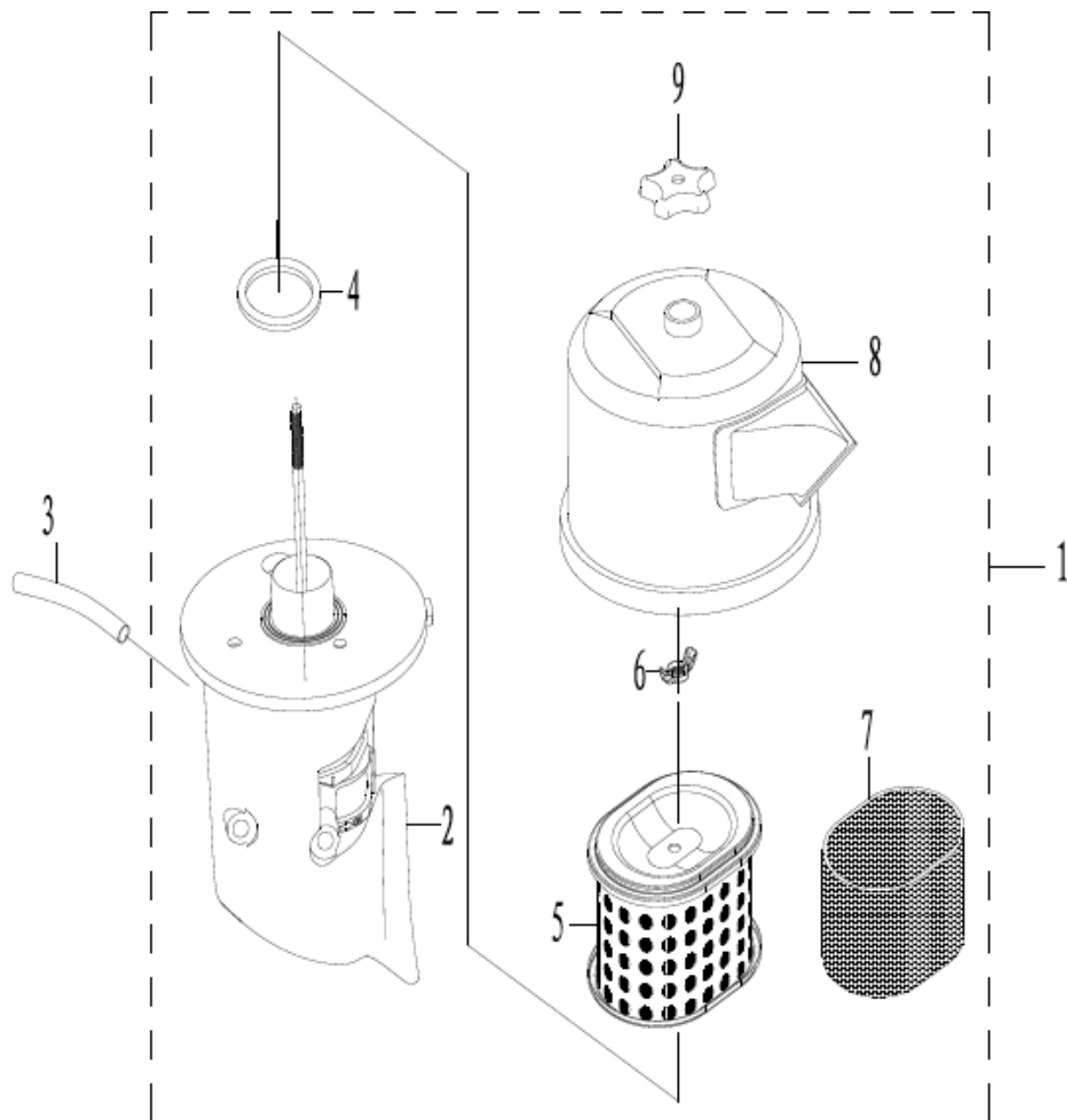




SPARE PARTS LIST

CULTIVATORS/TILLERS

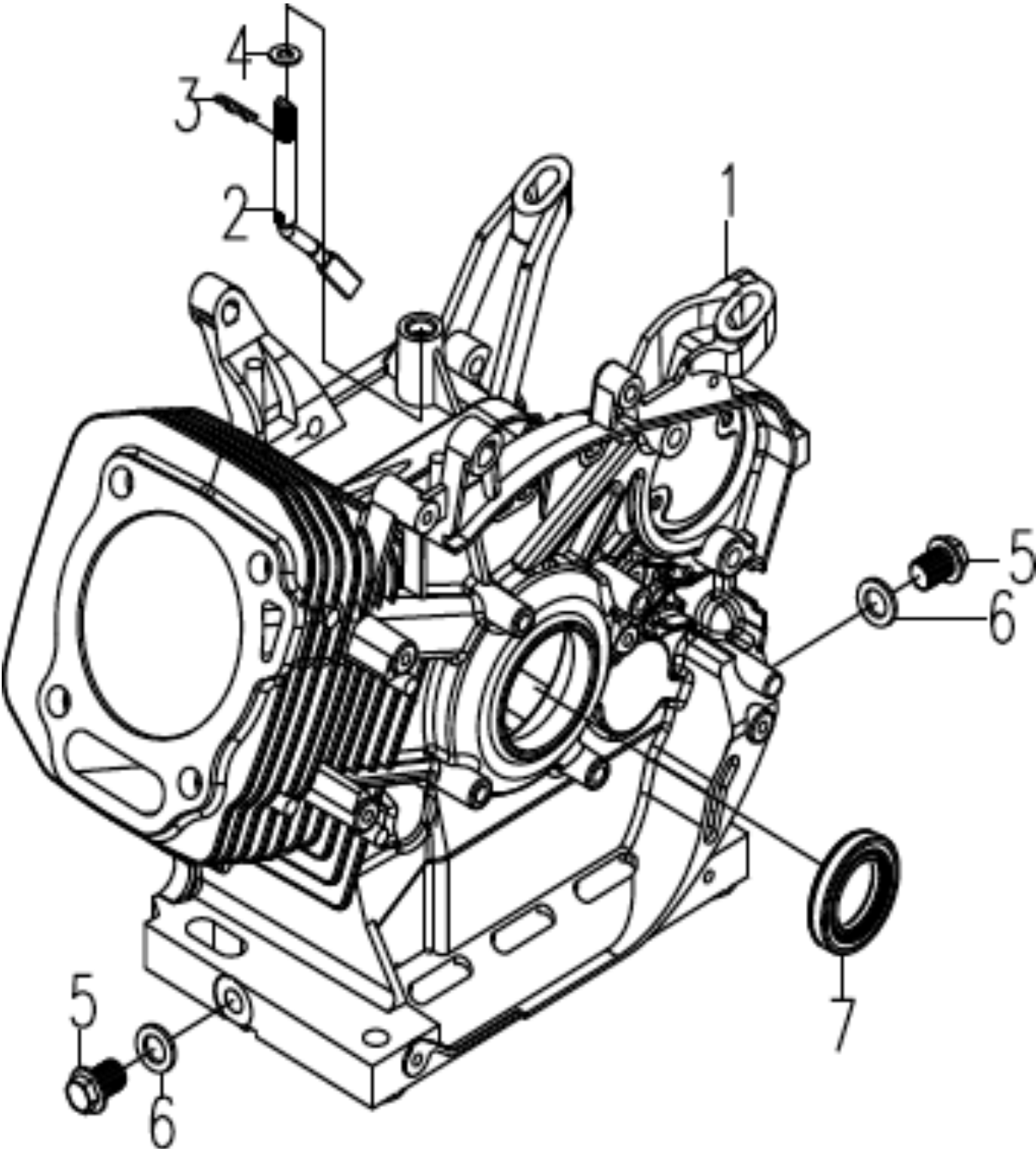
TF 545P, 967639302, 2017-02



AIR FILTER

TF 545P, 967639302, 2017-02

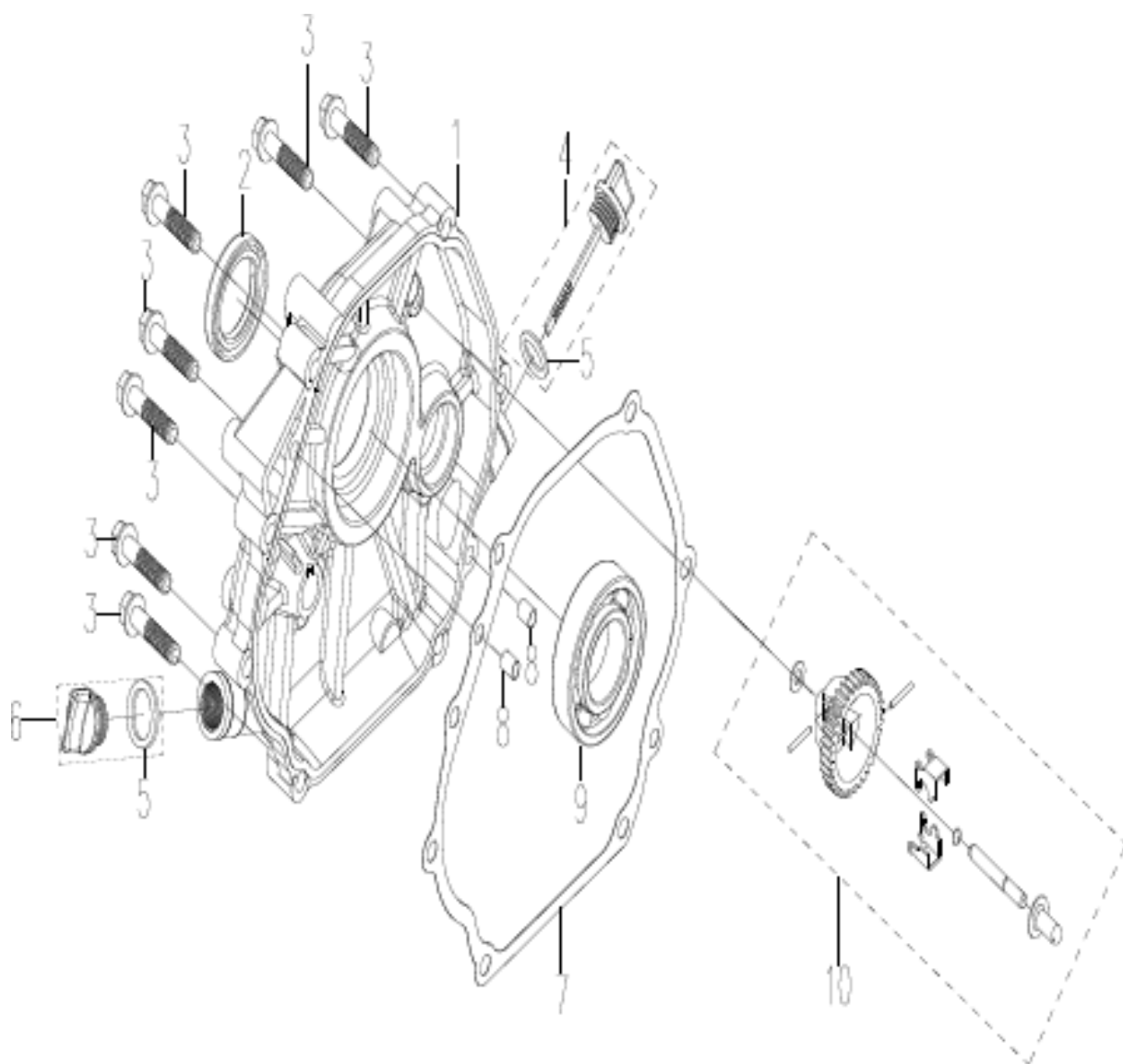
Ref	Part No	Description	Remark	QTY KIT
1	590 40 19-01	AIR CLEANER		1
2	590 40 20-01	HOUSING		1
3	590 41 36-01	PIPE		1
4	590 41 37-01	GASKET		1
5	590 41 38-01	FILTER	AIR CLEANER	1
6	590 41 39-01	WING NUT	BUTTERFLY	1
7	590 41 40-01	NET	AIR CLEANER	1
8	590 41 41-01	COVER	AIR CLEANER	1
9	590 41 43-01	NUT		2



CRANKCASE

TF 545P, 967639302, 2017-02

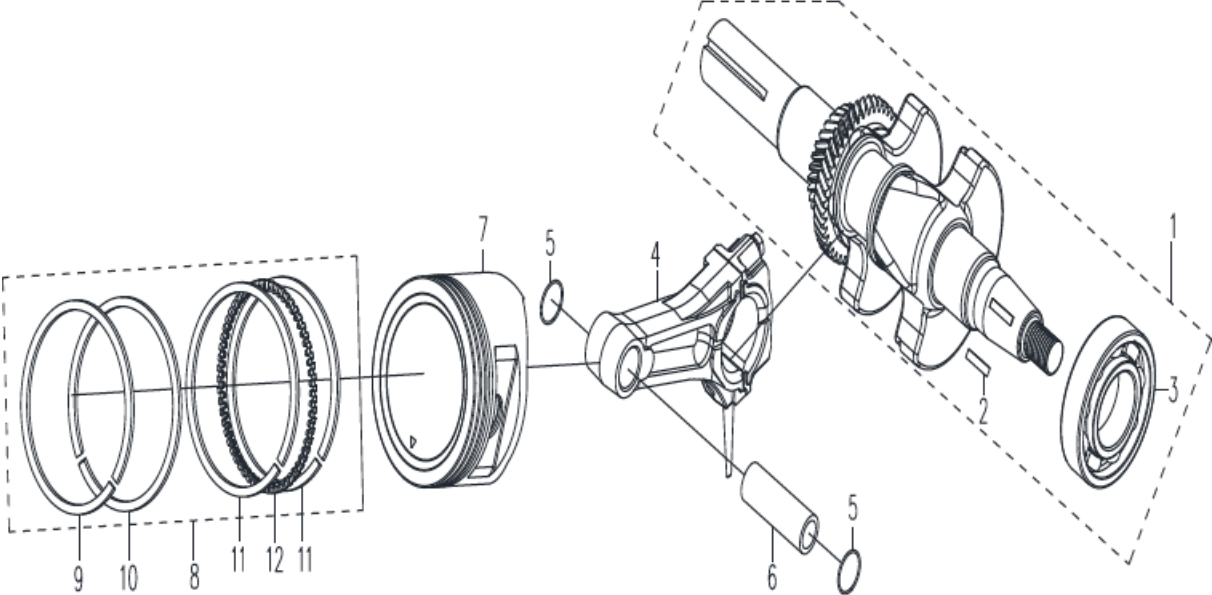
Ref	Part No	Description	Remark	QTY KIT
1	590 37 97-01	CRANKCASE		1
2	590 37 98-01	ARM		1
3	590 38 39-01	LOCKING LEVER	GOVERNOR ARM SHAFT	1
4	590 38 40-01	WASHER	Diam.8	1
5	590 38 41-01	BOLT	M12x1.5x15	2
6	590 38 42-01	NUT	GB/T97/diam.12xdiam.18x 2	2
7	590 38 43-01	SEALING RING	OIL SEAL _30x_46x8	1



CRANKCASE COVER

TF 545P, 967639302, 2017-02

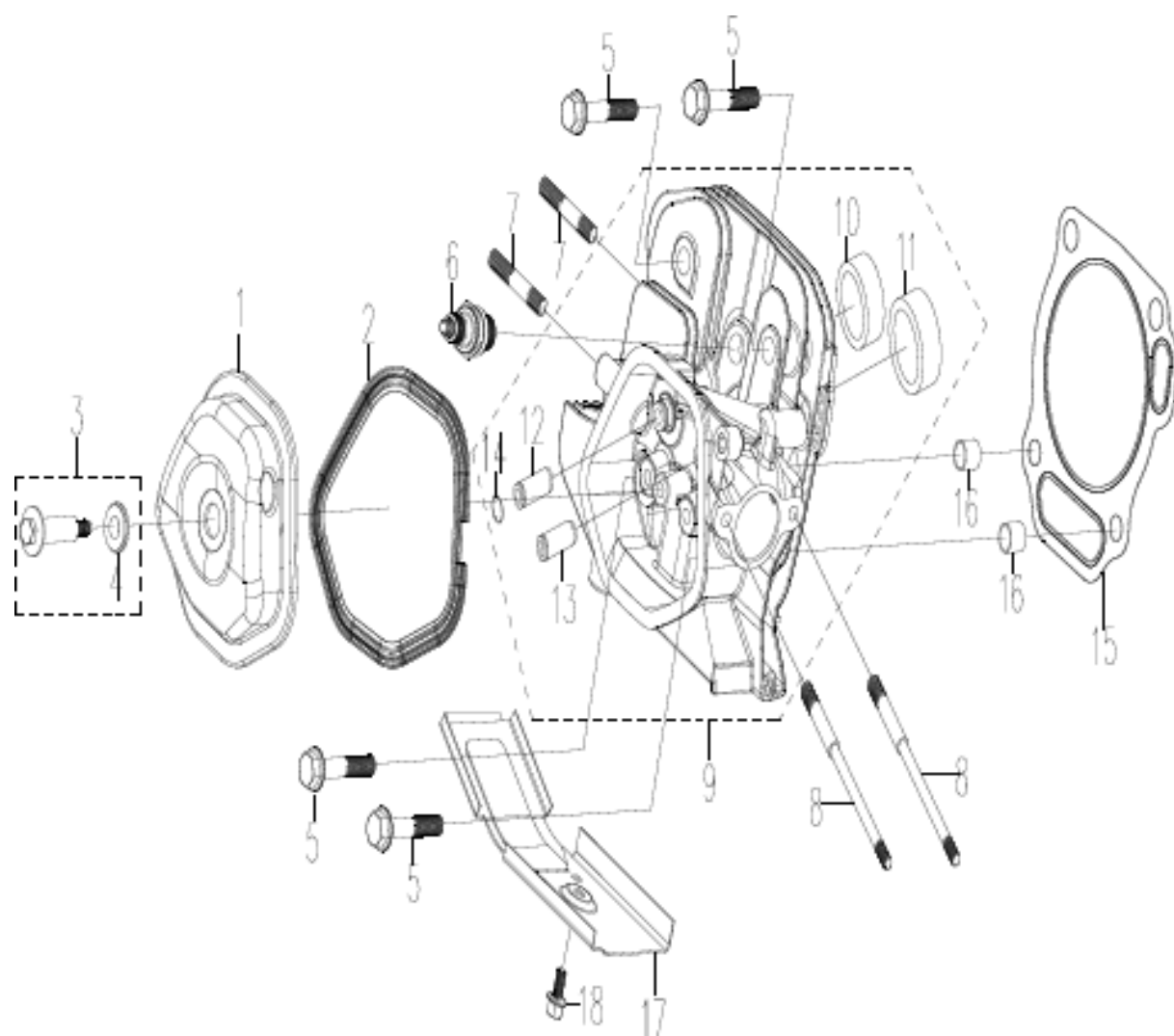
Ref	Part No	Description	Remark	QTY KIT
1	590 38 44-01	COVER		1
2	590 38 46-01	SEALING RING	Diam.30xdiam.46x8	1
3	590 38 47-01	BOLT	GB/T5789 M8x35	7
4	590 38 48-01	DIPSTICK		1
5	590 38 49-01	SEALING RING		2
6	590 38 50-01	OIL PLUG		1
7	590 38 51-01	GASKET	CASE COVER	1
8	588 00 28-01	PIN	Diam. 8x14	2
9	590 38 52-01	BEARING	BEARING 6206/P6	1
10	590 38 54-01	GOVERNOR KIT	4.6g	1



CRANKSHAFT

TF 545P, 967639302, 2017-02

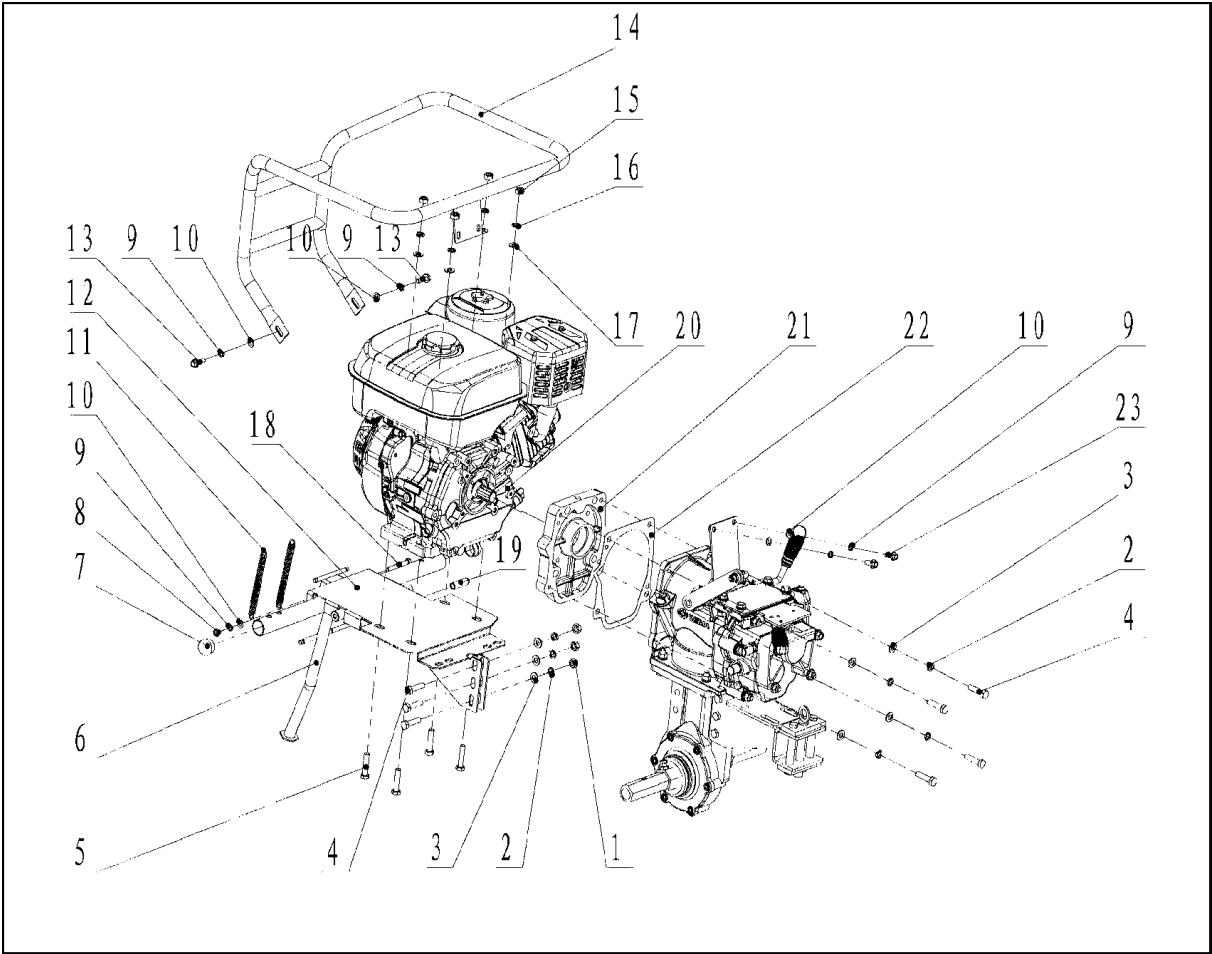
Ref	Part No	Description	Remark	QTY KIT
1	590 38 55-01	CRANKSHAFT ASSY		1
2	588 00 30-01	WOODRUFF KEY		1
3	590 38 52-01	BEARING	6206/P6	1
4	590 38 56-01	CONNECTING ROD ASSY	CONNECTING ROD ASSY	1
5	588 00 34-01	CLIP	PISTON PIN	2
6	590 38 58-01	PIN	PISTON	1
7	590 38 59-01	PISTON	PISTON	1
8	590 38 60-01	PISTON RING		1
9	590 38 61-01	PISTON RING	ONE	1
10	590 38 62-01	PISTON RING	TWO	1
11	590 38 63-01	PISTON RING		1
12	590 38 64-01	RING		1



CYLINDER

TF 545P, 967639302, 2017-02

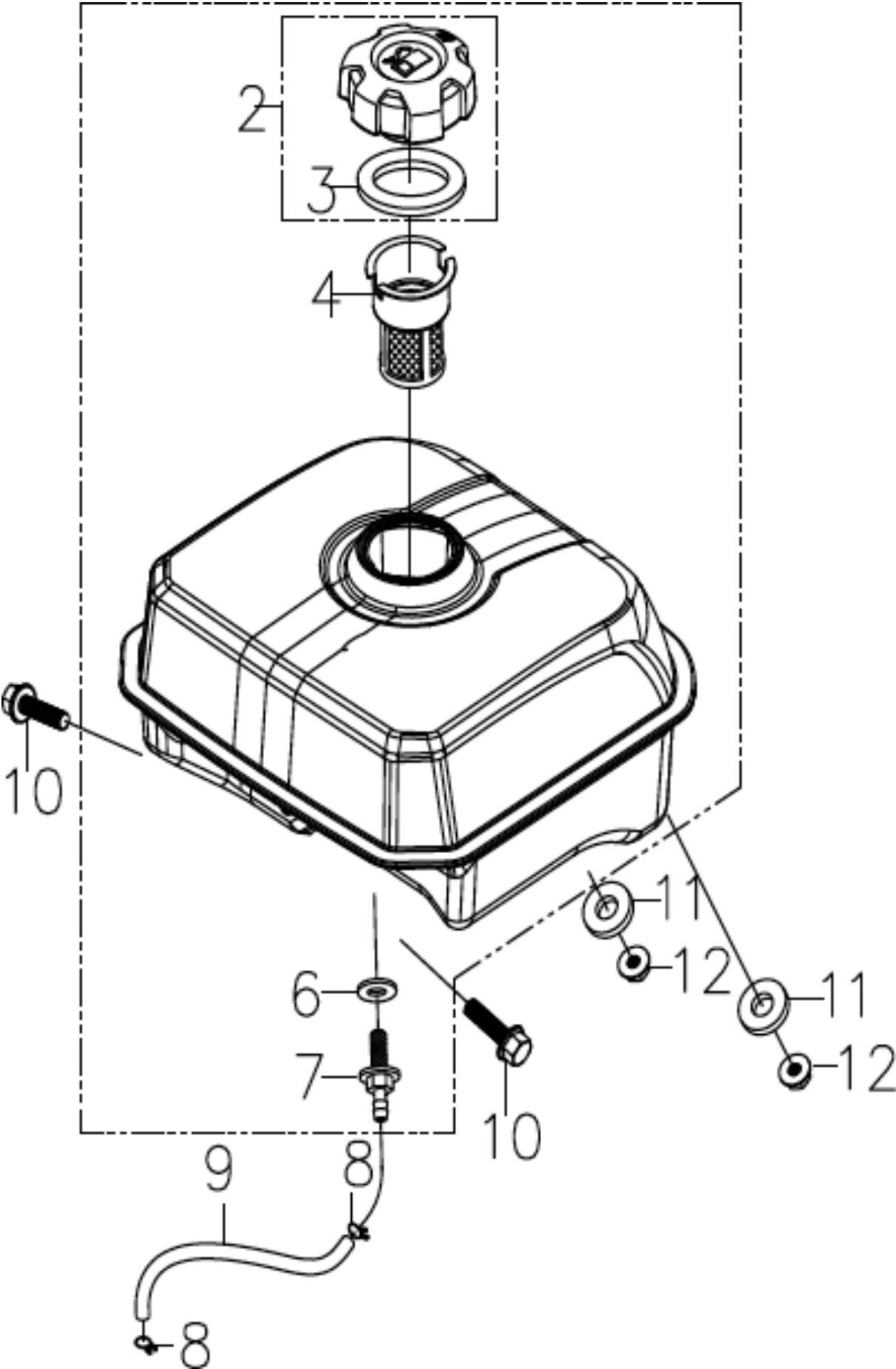
Ref	Part No	Description	Remark	QTY KIT
1	590 37 78-01	COVER		1
2	590 37 79-01	GASKET		1
3	590 37 80-01	BOLT		1
4	590 37 81-01	WASHER		1
5	590 37 82-01	BOLT	GB/T5789 M10x80	4
6	590 37 83-01	SPARK PLUG	F7TC	1
7	590 37 84-01	STUD SCREW	M8x48.5	2
8	590 37 85-01	STUD SCREW	M6-8x128	2
9	590 37 87-01	CYLINDER HEAD		1
10	590 37 88-01	VALVE SEAT	EX	1
11	590 37 89-01	VALVE SEAT	IN	1
12	590 37 90-01	VALVE GUIDE	EX.VALVE	1
13	590 37 91-01	VALVE GUIDE	IN.VALVE	1
14	590 37 92-01	CLIP	VALVE GUIDE	1
15	590 37 93-01	GASKET	CYLINDER HEAD	1
16	590 37 94-01	PIN	Diam.12x20	2
17	590 37 95-01	SHIELD		1
18	590 37 96-01	BOLT	M6x12	2



ENGINE

TF 545P, 967639302, 2017-02

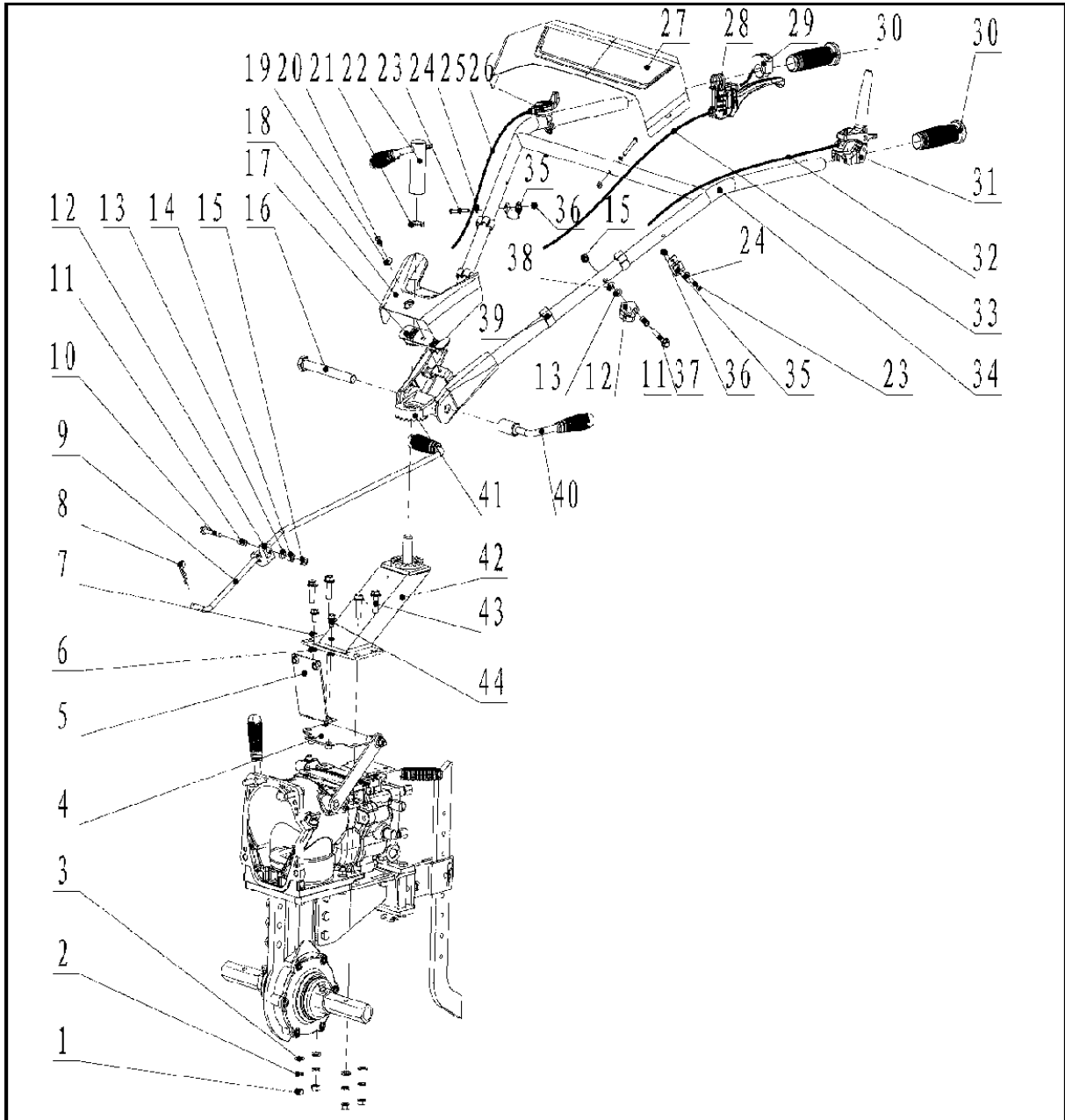
Ref	Part No	Description	Remark	QTY KIT
1	587 95 88-01	NUT	M10	7
2	587 93 68-01	SPRING WASHER	10	7
3	587 98 29-01	WASHER	10	7
4	588 40 95-01	BOLT	M10x40	7
5	590 42 54-01	BOLT	M10x45	4
6	590 42 55-01	SUPPORT	Supporting Leg	1
7	588 45 73-01	PLUG	Bumper	2
8	588 45 71-01	NUT	M8	1
9	587 94 91-01	WASHER	8	5
10	587 94 90-01	WASHER	8	5
11	588 45 70-01	SPRING	Supporting Leg	2
12	590 42 56-01	ENGINE PLATE		1
13	588 45 86-01	BOLT	M8x20	2
14	590 42 57-01	BUMPER		1
15	587 95 88-01	NUT	M10	4
16	587 93 68-01	SPRING WASHER	10	4
17	587 98 29-01	WASHER	10	4
18	588 45 89-01	BOLT	M8x60	1
19	590 36 85-01	COVER		1
20	590 42 58-01	ENGINE	177F-2/P Gasoline	1
21	590 42 59-01	FLANGE	For gasoline engine	1
22	590 36 87-01	GASKET	flange	1
23	588 45 82-01	BOLT	M8x20	2



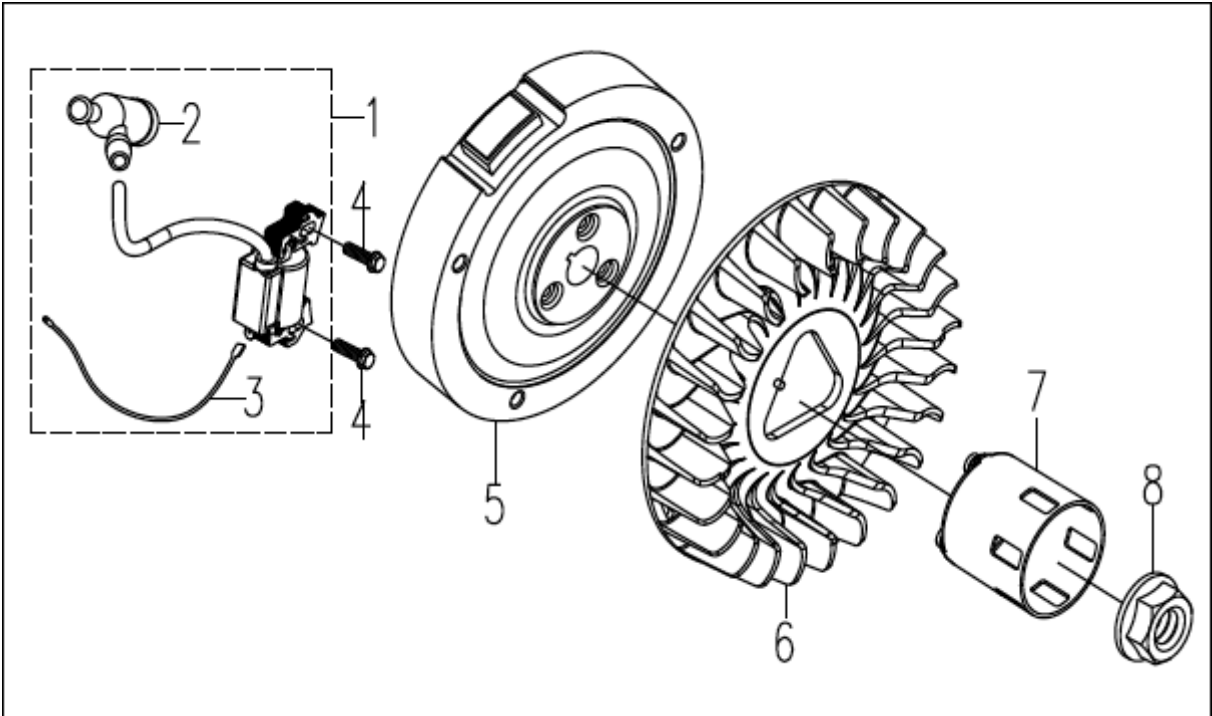
FUEL TANK

TF 545P, 967639302, 2017-02

Ref	Part No	Description	Remark	QTY KIT
1	590 41 91-01	FUEL TANK ASSY		1
2	590 41 93-01	FUEL CAP ASSY	FUEL FILLER	1
3	590 41 94-01	GASKET	FUEL FILLER	1
4	590 41 97-01	FILTER	FUEL	1
5	590 41 98-01	FUEL TANK		1
6	590 42 44-01	GASKET		1
7	590 42 45-01	JOINT	FUEL TANK	1
8	590 42 47-01	CLIP	TUBE	2
9	590 42 48-01	HOSE	FUEL	1
10	590 42 49-01	BOLT	M8x25	2
11	590 42 50-01	WASHER		2
12	590 42 51-01	NUT	M8	2



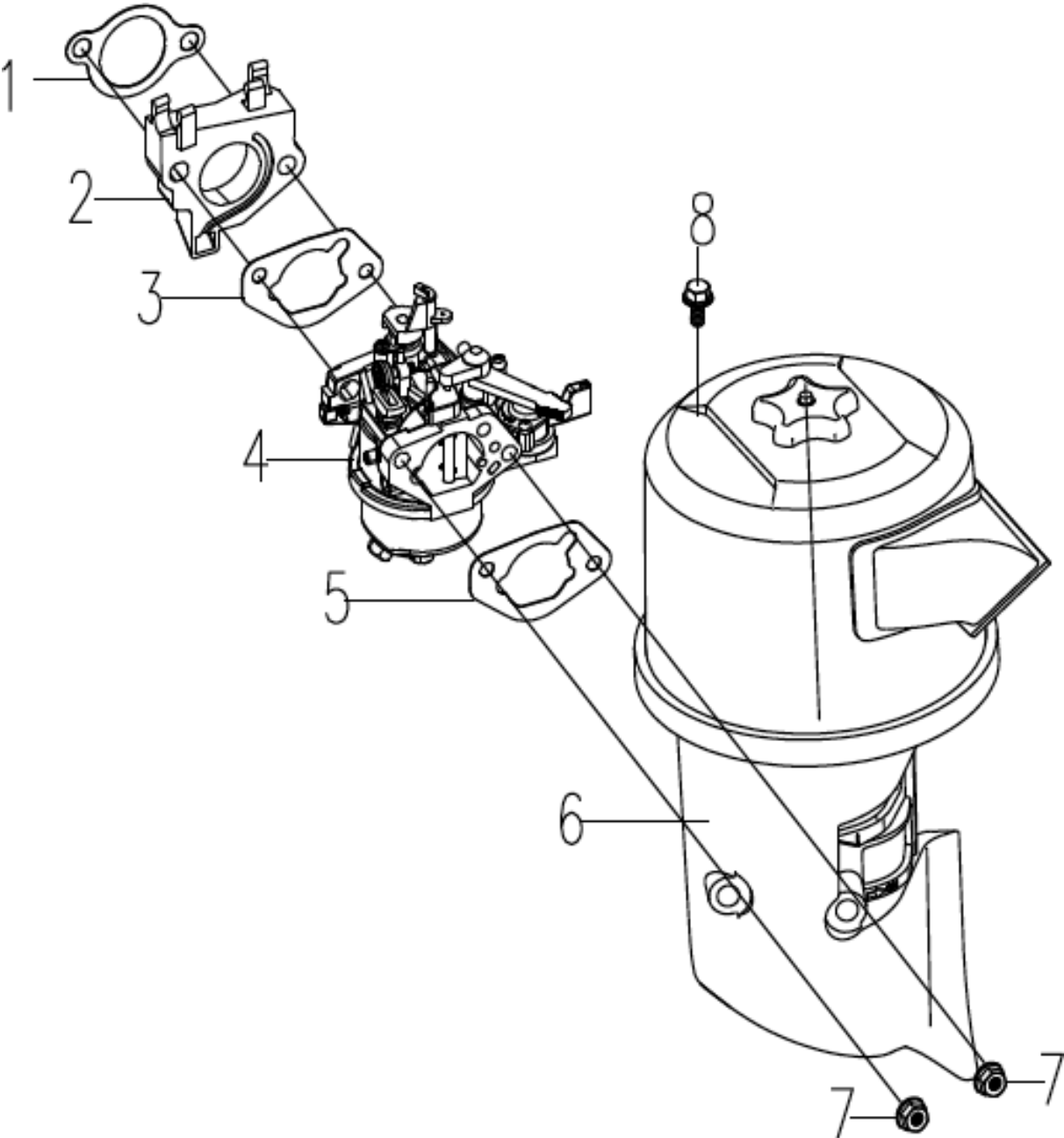
Ref	Part No	Description	Remark	QTY KIT
1	587 95 88-01	NUT	M10	4
2	587 93 68-01	SPRING WASHER	10	4
3	587 98 29-01	WASHER	10	4
4	588 40 92-01	PLATE	Bumper Connecting, A	1
5	588 40 93-01	PLATE	Bumper Connecting, B	1
6	587 94 90-01	WASHER	8	2
7	587 94 91-01	WASHER	8	2
8	587 98 10-01	CLIP	B	1
9	590 34 59-01	LEVER		1
10	590 34 62-01	BOLT		1
11	590 34 63-01	SLEEVE	8x11x19.5	2
12	590 34 65-01	BLOCK	1100A-6 Shift gear rod limit	2
13	588 41 63-01	O-RING	11.2x2.65	2
14	590 34 67-01	BUSH	8.5x15x10	1
15	590 34 68-01	LOCK NUT	M8	2
16	588 41 01-01	BOLT	M16x150	1
17	588 24 82-01	HOLDER		1
18	588 41 02-01	COVER		1
19	587 94 98-01	WASHER	6	1
20	587 94 99-01	BOLT	M6x16	1
21	588 40 99-01	SPRING WASHER	20	1
22	588 41 00-01	KNOB		1
23	588 08 92-01	BOLT	M6x35	3
24	587 93 69-01	WASHER	6	3
25	590 42 52-01	THROTTLE CABLE		1
26	587 95 07-01	THROTTLE CONTROL	Shut Down Switch Comp	1
27	588 41 08-01	COVER	Upper Tidy	1
28	588 41 06-01	CONTROL	Reverse	1
29	590 42 53-01	STOP SWITCH		1
30	587 95 08-01	HANDLE GRIP	Diam. 25	2
31	587 95 09-01	CLUTCH		1
32	588 41 09-01	CABLE		1
33	588 41 04-01	CABLE	Reverse	1
34	590 34 69-01	HANDLEBAR		1
35	587 95 00-01	SUSPENSION	Cable Tidy	2
36	587 95 01-01	NUT	M6	3
37	590 34 70-01	BOLT	M8x55	1
38	587 94 90-01	WASHER	8	1
39	590 37 03-01	CLAMP		4
40	587 94 96-01	KNOB	Handle	1
41	588 40 98-01	TRAY	Gear	1
42	590 34 73-01	BRACKET		1
43	588 40 95-01	BOLT		4
44	588 40 94-01	BOLT	M8x16	2



IGNITION SYSTEM

TF 545P, 967639302, 2017-02

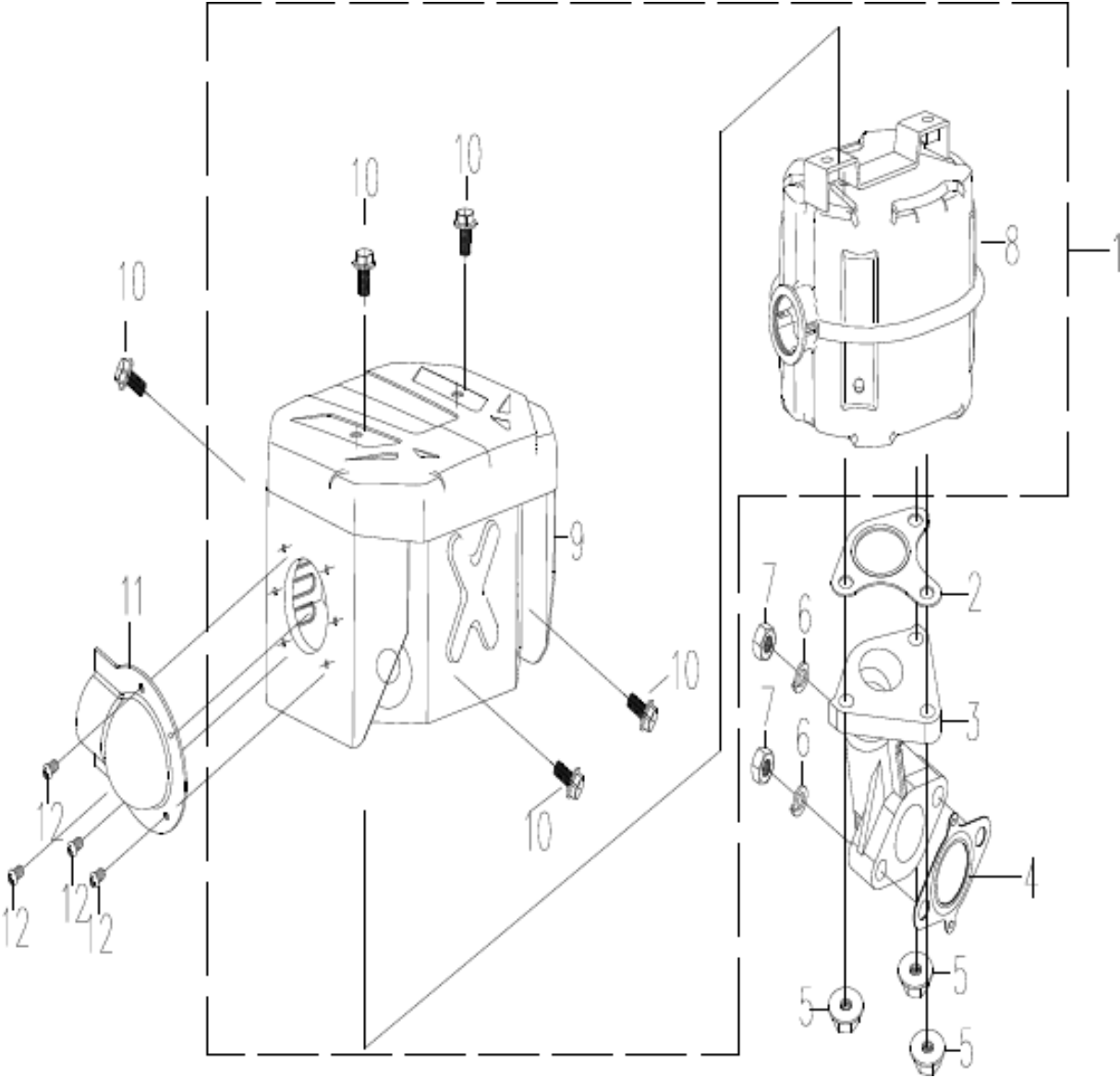
Ref	Part No	Description	Remark	QTY KIT
1	590 41 63-01	IGNITION KIT		1
2	590 41 64-01	CAP		1
3	590 41 65-01	CORD	STOP SWITCH	1
4	590 41 66-01	BOLT	BOLT M6x25	2
5	590 41 67-01	FLYWHEEL		1
6	590 41 68-01	FAN		1
7	590 41 69-01	PULLEY		1
8	590 41 72-01	NUT	M16x1.5	1



INTAKE SYSTEM

TF 545P, 967639302, 2017-02

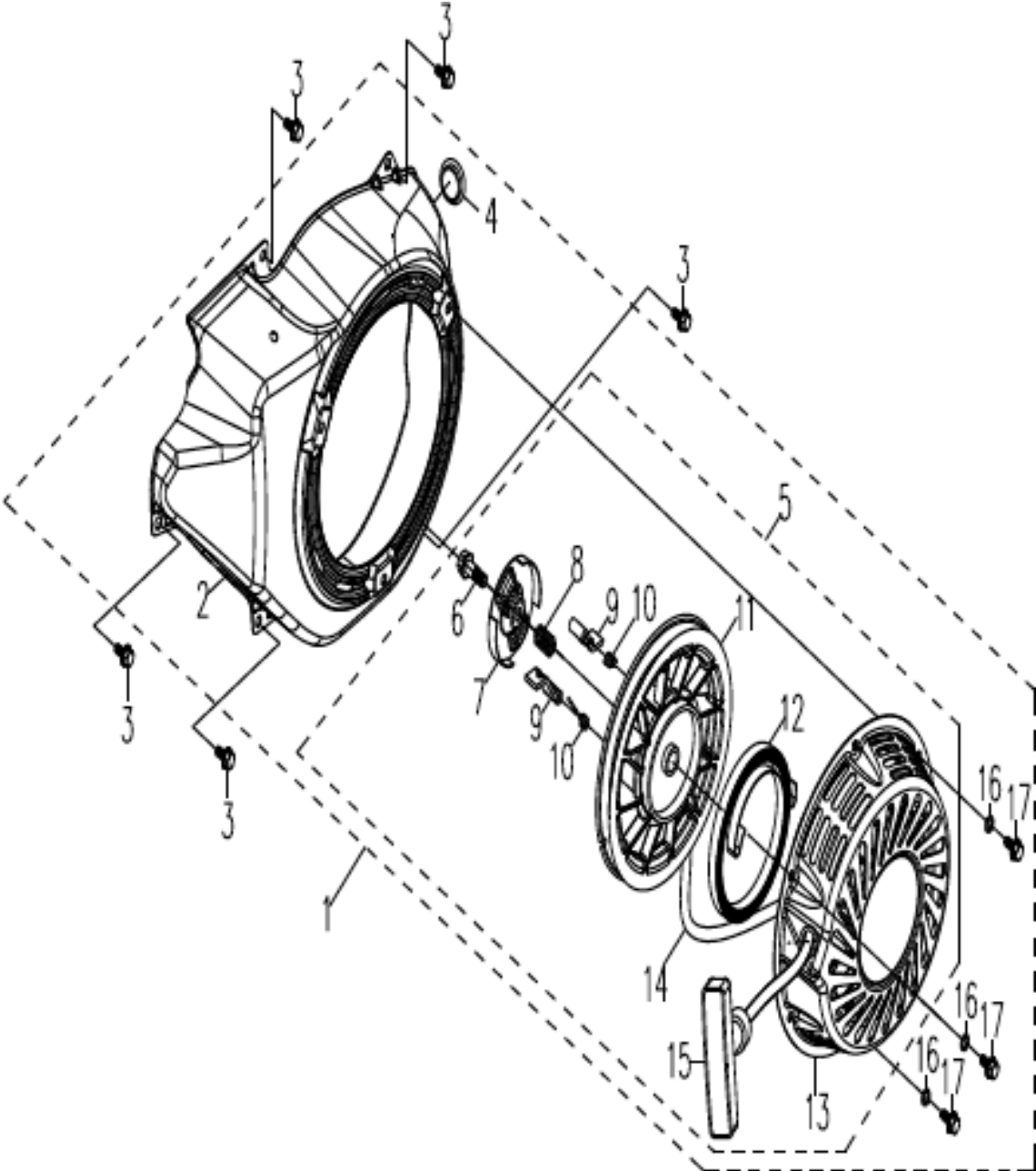
Ref	Part No	Description	Remark	QTY KIT
1	590 40 00-01	WASHER		1
2	590 40 02-01	INSULATOR		1
3	590 40 03-01	GASKET		1
4	590 40 06-01	CARBURETTOR		1
5	590 40 09-01	GASKET	AIR CLEANER	1
6	590 40 12-01	HOUSING ASSY		1
7	590 40 14-01	BOLT	M6x22	1
8	590 40 17-01	NUT	M6	2



MUFFLER

TF 545P, 967639302, 2017-02

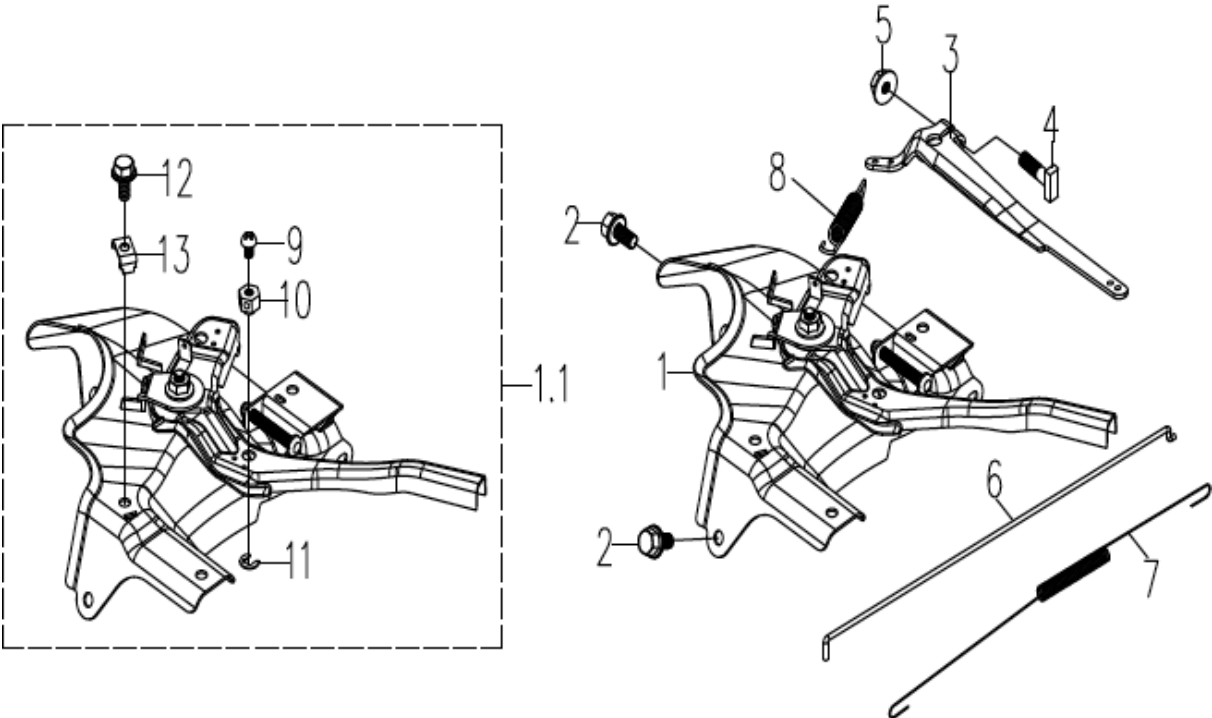
Ref	Part No	Description	Remark	QTY KIT
1	590 41 75-01	MUFFLER ASSY		1
2	590 41 76-01	GASKET	MUFFLER	1
3	590 41 77-01	PIPE	EX	1
4	590 41 78-01	GASKET	AIR EXHAUST	1
5	590 41 79-01	NUT	M8	3
6	590 41 80-01	SPRING WASHER	8	1
7	590 41 81-01	NUT	M8	2
8	590 41 82-01	BODY		2
9	590 41 83-01	SHIELD		1
10	590 41 84-01	SCREW	M6x8	1
11	590 41 86-01	SHIELD		1
12	590 41 89-01	SCREW	ST4.2x5	4



STARTER

TF 545P, 967639302, 2017-02

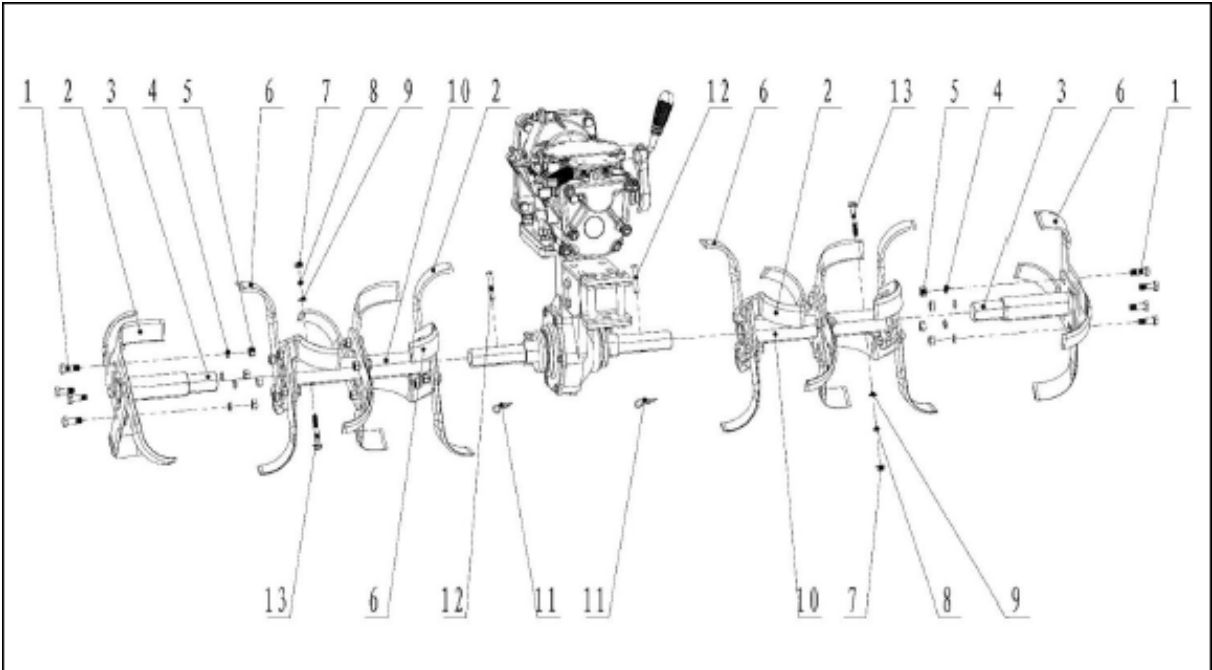
Ref	Part No	Description	Remark	QTY KIT
1	590 39 59-01	STARTER ASSY		1
2	590 39 60-01	COVER		1
3	590 39 65-01	BOLT	M6x12	5
4	590 39 75-01	PLUG	STARTER	1
5	590 39 76-01	STARTER	RECOIL	1
6	590 39 77-01	BOLT	CENTER POSITION	1
7	590 39 79-01	GUIDE	GUIDE	1
8	590 39 80-01	SPRING	CENTER POSITION	1
9	590 39 81-01	RATCHET	STARTER	2
10	590 39 82-01	SPRING	RETURN	2
11	590 39 83-01	REEL	RECOIL STARTER	1
12	590 39 84-01	SPRING	STARTER RETURN	1
13	590 03 92-01	COVER ASSY	RECOIL	1
14	590 39 93-01	ROPE	RECOIL STARTER	1
15	590 39 94-01	HANDLE	STARTER	1
16	590 39 97-01	STARTER ASSY	RECOIL STARTER ASSY 6	3
17	590 39 99-01	BOLT	M6x10	3



THROTTLE CONTROLS

TF 545P, 967639302, 2017-02

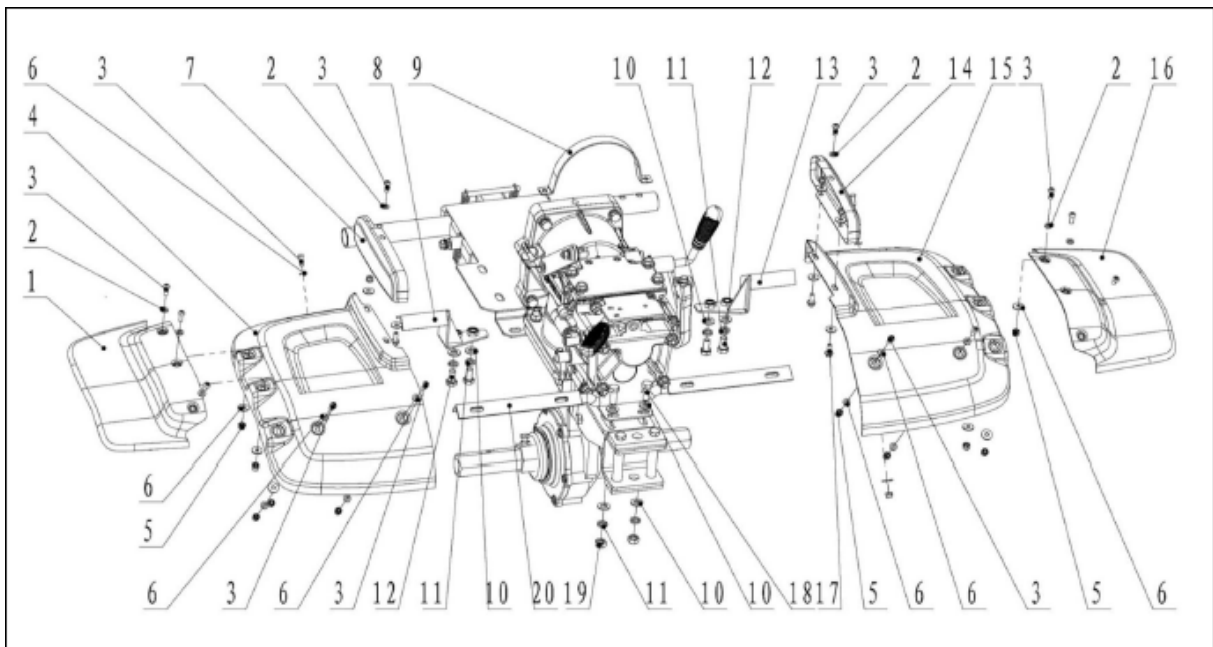
Ref	Part No	Description	Remark	QTY KIT
1	590 41 44-01	THROTTLE CONTROL ASSY		1
2	590 41 45-01	BOLT	M6x12	2
3	590 41 46-01	ARM	GOVERNOR	1
4	590 41 47-01	SCREW	T-SHAPE	1
5	590 41 48-01	NUT	M6	1
6	590 41 52-01	TIE ROD		1
7	590 41 58-01	SPRING		1
8	590 41 59-01	SPRING		1
9	590 41 60-01	SCREW	M4x6	1
10	588 01 69-01	CONNECTION		1
11	590 41 61-01	WASHER		1
12	590 41 62-01	BOLT	M5x16	1
13	588 01 70-01	CLAMP		1



TINE ASSEMBLY

TF 545P, 967639302, 2017-02

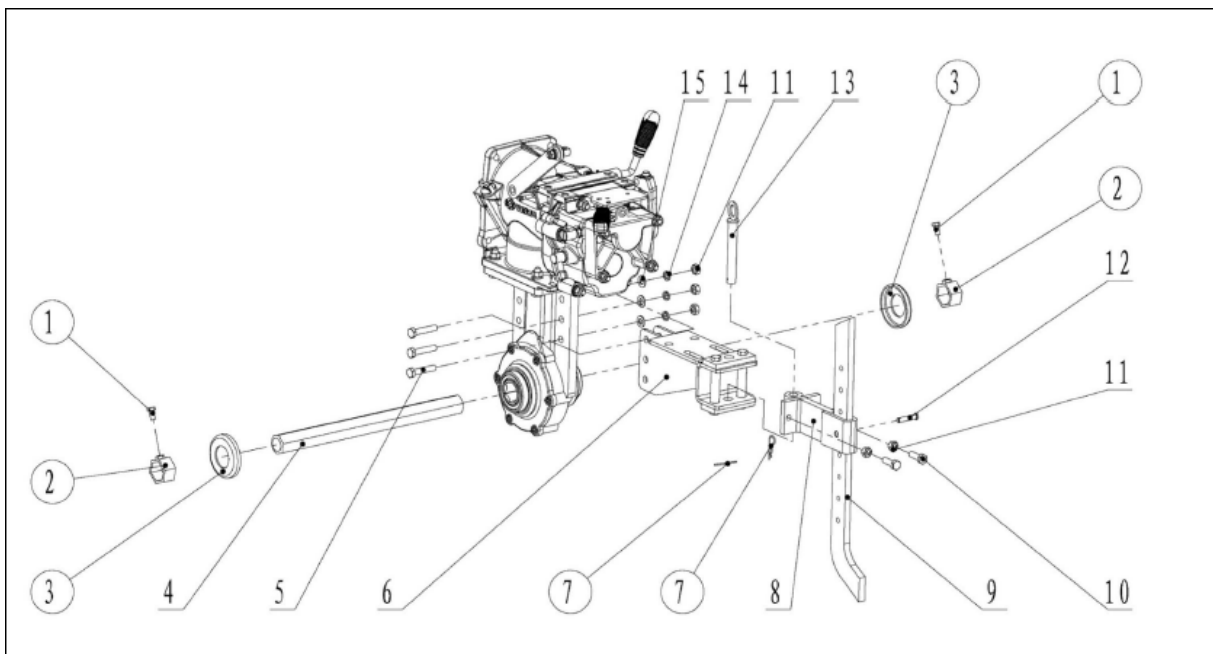
Ref	Part No	Description	Remark	QTY KIT
1	587 95 82-01	BOLT	M10x35	32
2	587 95 93-01	BLADE	Right Dry Land	16
3	588 46 05-01	HOLDER	Sub Blade, 1	2
4	587 93 68-01	SPRING WASHER	10	32
5	587 95 88-01	NUT	M10	32
6	587 95 89-01	BLADE	Left Dry Land	16
7	587 93 73-01	NUT	M8	2
8	587 94 91-01	WASHER	8	2
9	587 94 90-01	WASHER	8	2
10	588 46 09-01	HOLDER	Main Blade	2
11	587 95 26-01	CLIP	B	2
12	588 46 13-01	PIN	8x50	2
13	588 46 06-01	BOLT	M8x55	2



TINE SHIELD

TF 545P, 967639302, 2017-02

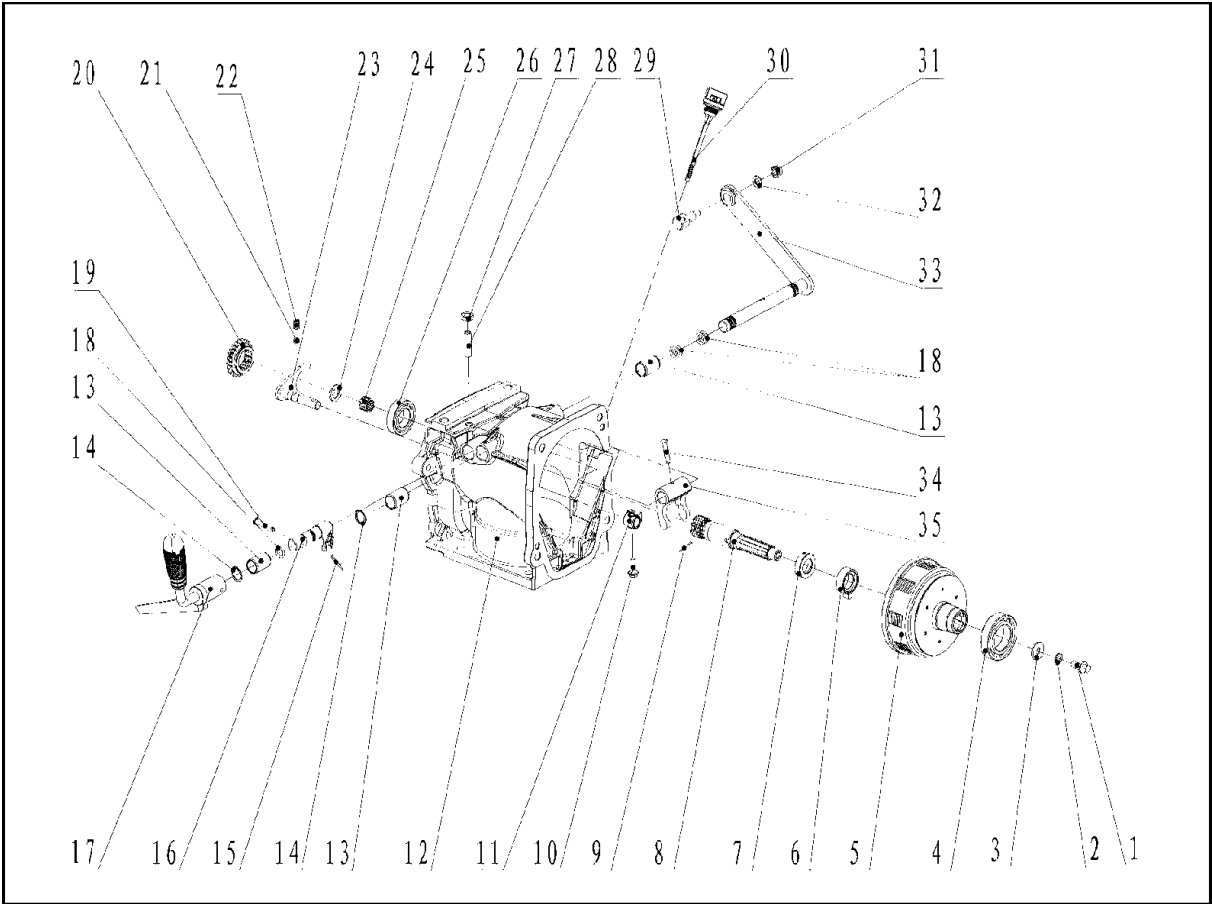
Ref	Part No	Description	Remark	QTY KIT
1	588 45 91-01	COVER	Left Extension	1
2	587 93 69-01	WASHER	6	8
3	587 94 99-01	BOLT	Hexagon socket button head screws M6x16	14
4	590 36 90-01	COVER	Left Tine	1
5	587 95 01-01	NUT	M6	16
6	587 94 98-01	WASHER	6	26
7	590 36 91-01	COVER	Left Side	1
8	590 36 92-01	BRACKET	Left-Front Bracket	1
9	590 36 93-01	PLATE	Connecting, Side Cover	1
10	587 98 29-01	WASHER	10	8
11	587 93 68-01	SPRING WASHER		6
12	588 45 95-01	BOLT	M10x20	4
13	590 36 94-01	BRACKET	Right-Front, Tine Cover	1
14	590 36 97-01	COVER	Right Side	1
15	590 36 98-01	COVER	Right Tine	1
16	588 46 03-01	COVER	Right Extension	1
17	588 55 19-01	BOLT	M6x16	4
18	588 45 98-01	BOLT	M10x25	2
19	587 95 88-01	NUT	M10	2
20	590 36 99-01	BRACKET	Rear, Tine Cover	1



TOW BAR

TF 545P, 967639302, 2017-02

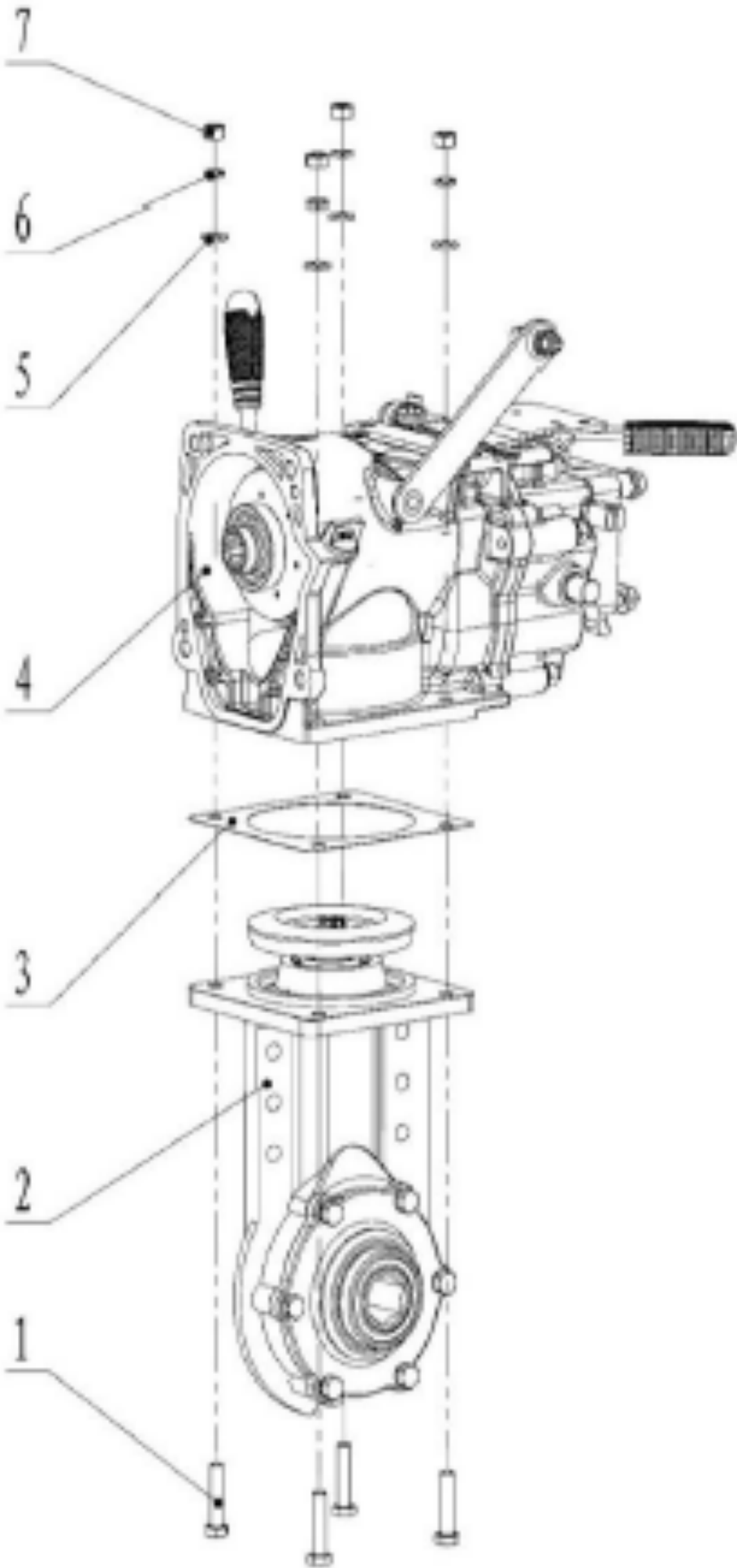
Ref	Part No	Description	Remark	QTY KIT
1	588 40 94-01	BOLT	M8x16	2
2	588 45 75-01	BUSH	Hexagonal	2
3	588 45 76-01	COVER		2
4	588 46 23-01	SHAFT	Hexagonal Output	1
5	588 45 78-01	BOLT	M10x50	3
6	590 36 88-01	BAR	Tow	1
7	587 98 10-01	CLIP	B	2
8	588 45 79-01	CONNECTOR		1
9	587 95 31-01	BAR	Drag Strut	1
10	588 45 69-01	BOLT	M10x30	2
11	587 95 88-01	NUT	M10	5
12	587 98 56-01	PIN	8x43	1
13	588 45 80-01	PIN	Roll with Ring	1
14	587 93 68-01	SPRING WASHER	10	3
15	587 98 29-01	WASHER	10	3



TRANSMISSION

TF 545P, 967639302, 2017-02

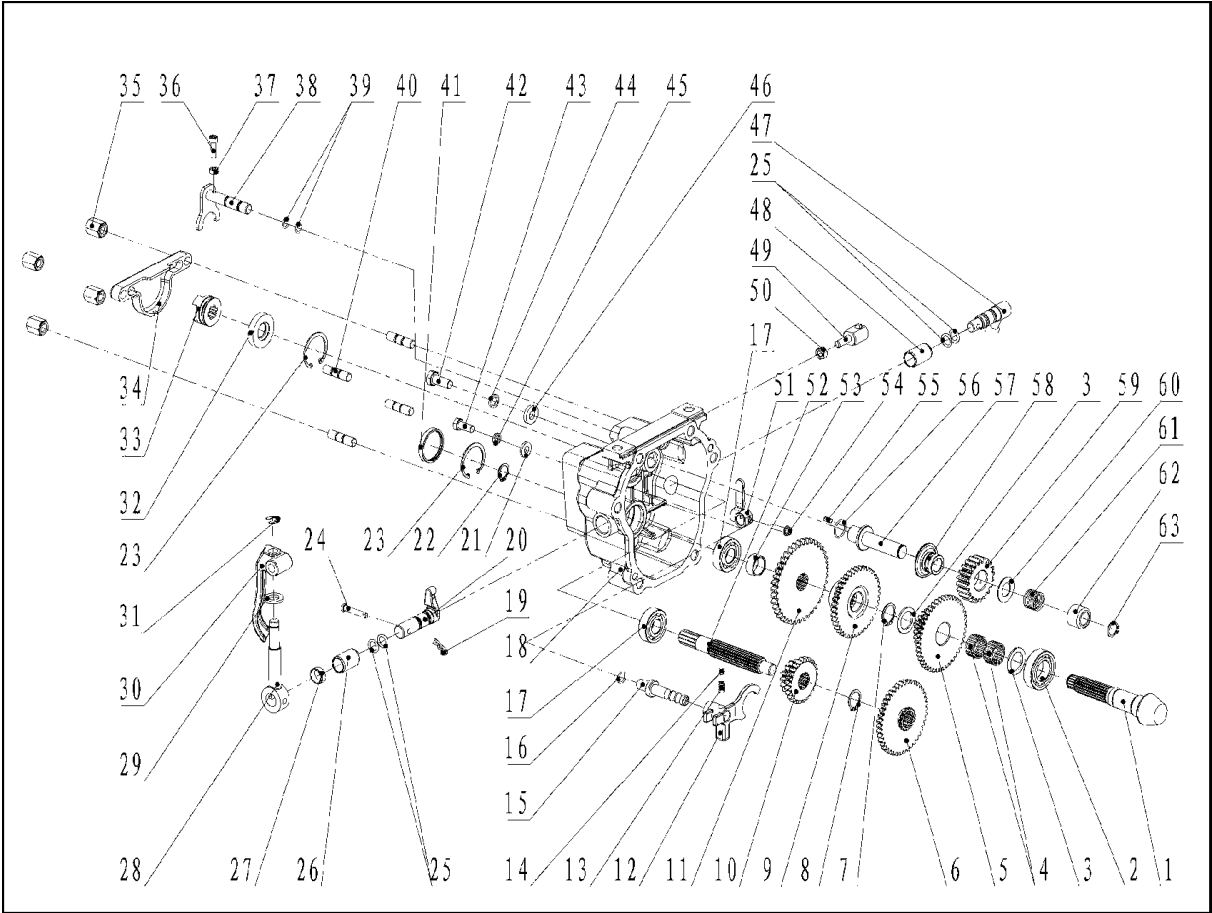
Ref	Part No	Description	Remark	QTY KIT
1	587 93 70-01	BOLT	M8x20	1
2	588 41 32-01	LOCKWASHER	8	1
3	588 41 33-01	WASHER	8	1
4	588 41 30-01	BALL BEARING	6007	1
5	590 35 30-01	CLUTCH		1
6	588 44 33-01	BUSH	T09 Sheath	1
7	588 44 32-01	DISC	T09 friction tray	1
8	590 34 77-01	SHAFT	Input	1
9	590 34 79-01	PIN	2x28	1
10	590 34 81-01	BOLT	M6x20	1
11	590 34 91-01	RETAINER RING	Vice speed striker	1
12	589 89 58-01	HOUSING	Transmission case	1
13	590 34 95-01	BUSH	16x20x30	3
14	588 44 42-01	CIRCLIP	16	2
15	590 34 96-01	CIRCLIP	F	1
16	590 35 21-01	ROCKER LEVER	Shift gear 2	1
17	590 35 23-01	LEVER		1
18	588 41 63-01	O-RING	11.2x2.65	5
19	588 41 69-01	PIN	6x30	1
20	590 35 24-01	SHAFT	Main, gear A	1
21	590 35 25-01	BALL	Diam.8 steel	1
22	590 35 26-01	SPRING	Shift gear	1
23	590 35 27-01	FORK	Vice speed fork	1
24	590 35 28-01	WASHER	14.5x23x2	1
25	590 35 29-01	NEEDLE BEARING	KT14x18x13	1
26	590 35 31-01	BALL BEARING	6005	1
27	590 35 32-01	NUT	M10	1
28	590 35 33-01	POINTER	Pointless set screw M10x35	1
29	588 46 69-01	WIRE HOLDER	Clutch cable seat	1
30	590 35 34-01	DIPSTICK	II Oil ruler	1
31	588 41 67-01	SPRING WASHER		1
32	587 93 74-01	NUT		1
33	588 41 66-01	AXLE		1
34	588 41 69-01	PIN	6x30	1
35	588 41 70-01	FORK	Clutch	1



TRANSMISSION

TF 545P, 967639302, 2017-02

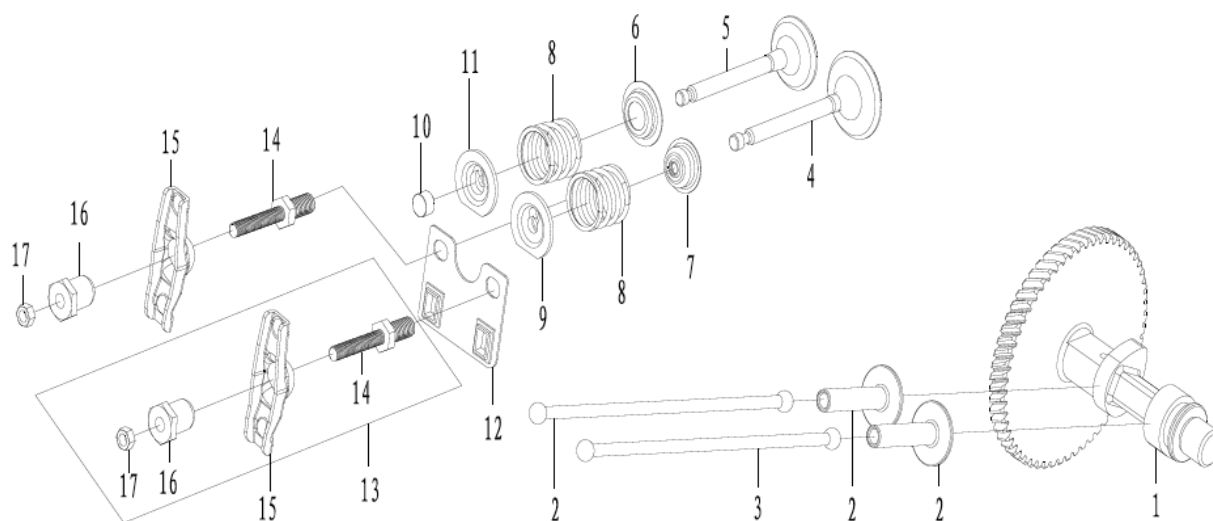
Ref	Part No	Description	Remark	QTY KIT
1	588 40 95-01	BOLT	M10x40	4
2	588 46 36-01	CASE		1
3	590 34 74-01	GASKET	Gearbox	1
4	590 34 75-01	GEARBOX ASSY		1
5	587 98 29-01	WASHER	Flat 10	4
6	587 93 68-01	SPRING WASHER	Spring 10	4
7	587 95 88-01	NUT	M6	4



TRANSMISSION

TF 545P, 967639302, 2017-02

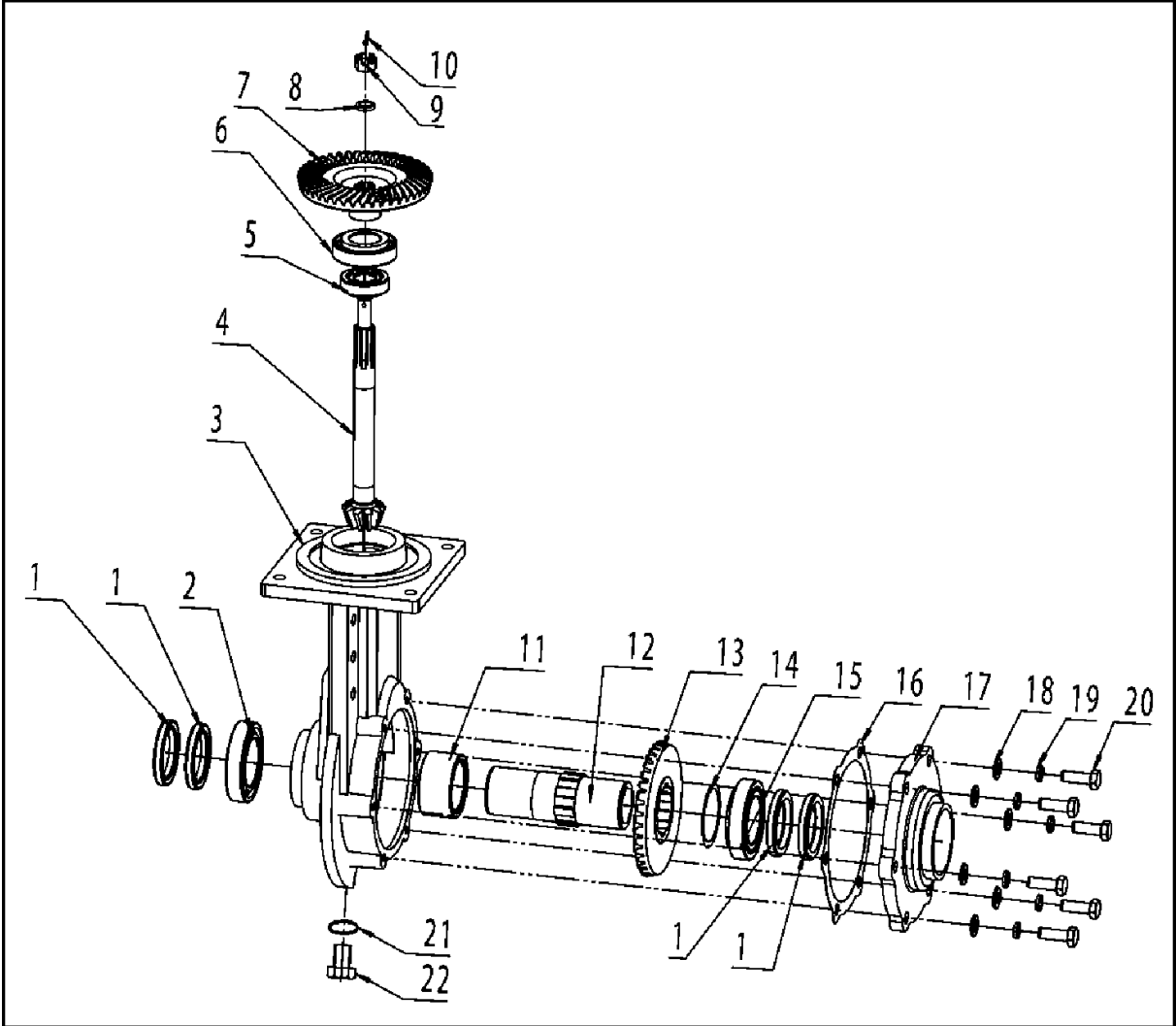
Ref	Part No	Description	Remark	QTY KIT
1	590 35 35-01	SHAFT	Vice	1
2	590 35 36-01	BALL BEARING	6005	1
3	590 35 37-01	WASHER	22x32x2	2
4	590 35 38-01	NEEDLE BEARING	KT22x26x13	2
5	590 35 39-01	SHAFT	Vice, double teeth gear A	1
6	590 35 41-01	SHAFT	Main, gear B	1
7	590 35 42-01	SPRING WASHER	22	1
8	590 35 43-01	SPRING WASHER	20	1
9	590 35 44-01	SHAFT	Vice, fast gear	1
10	590 35 45-01	SHAFT	Main, double teeth gear	1
11	590 35 46-01	SHAFT	Vice, slow gear	1
12	590 35 47-01	FORK	Shift gear	1
13	590 36 29-01	SPRING	Shift gear	1
14	590 36 30-01	BALL	Diam. 8 steel	1
15	590 36 31-01	SHAFT	Shift gear fork	1
16	590 36 32-01	O-RING	11.8x1.8	1
17	590 36 33-01	BALL BEARING	6203	2
18	590 36 34-01	COVER	Back case	1
19	590 36 35-01	CIRCLIP	F	1
20	590 36 36-01	ROCKER LEVER	Shift gear	1
21	590 36 37-01	GASKET	8x18x3	1
22	590 36 38-01	SPRING WASHER	17	1
23	590 36 39-01	RING	40	2
24	590 36 40-01	PIN	6x35	1
25	588 41 68-01	O-RING	11.2x2.65	4
26	590 36 41-01	BUSH	16x20x30	1
27	590 36 42-01	SHIM	Restrict sheath	1
28	590 36 43-01	ROD	Shift gear sheath	1
29	590 36 44-01	GASKET	12	1
30	590 36 45-01	STOP SLEEVE	Stop block_High speed	1
31	590 36 46-01	WASHER	9	1
32	590 36 47-01	SEAL	TC17x40x8	1
33	590 36 48-01	CARRIER	Output clutch push dog	1
34	590 36 49-01	COVER	Plastic	1
35	590 36 50-01	NUT		4
36	590 36 51-01	BOLT	M6x20	1
37	590 36 62-01	DIAMOND TOOL	M6	1
38	590 36 53-01	FORK	Output	1
39	590 36 54-01	O-RING	1.8x8	2
40	590 36 55-01	STUD	Bolt bm=1.5d M10x25	4
41	590 36 56-01	OIL PLUG	40x6	1
42	588 41 44-01	BOLT	M10x25	1
43	590 36 57-01	BOLT	M8x20	1
44	590 36 58-01	SPRING WASHER	10	1
45	590 36 63-01	SPRING WASHER	8	1
46	590 36 64-01	WASHER	Reverse shaft	1
47	590 36 65-01	SHAFT	Reverse gear fork	1
48	588 41 62-01	BUSH	Fork sheath	1
49	590 36 68-01	BRACKET	Reverse cable seat	1
50	590 36 69-01	BOLT	M8	1
51	590 36 70-01	FORK	Reverse	1
52	590 36 71-01	SHAFT	Main	1
53	590 36 72-01	SHIM	20.5x25x11.5	1
54	590 36 73-01	BOLT	M5x25	1
55	588 44 50-01	PIN	5x10	1
56	588 41 81-01	O-RING	1.8x18	1
57	590 36 74-01	SHAFT	Reverse	1
58	590 36 75-01	PLATE	Reverse	1
59	590 36 76-01	GEAR WHEEL	Reverse	1
60	590 36 77-01	WASHER	16.5x30x1	1
61	590 36 79-01	SPRING	Reverse	1
62	590 36 80-01	SHIM	Reverse	1
63	590 36 81-01	SPRING WASHER	15	1



VALVES

TF 545P, 967639302, 2017-02

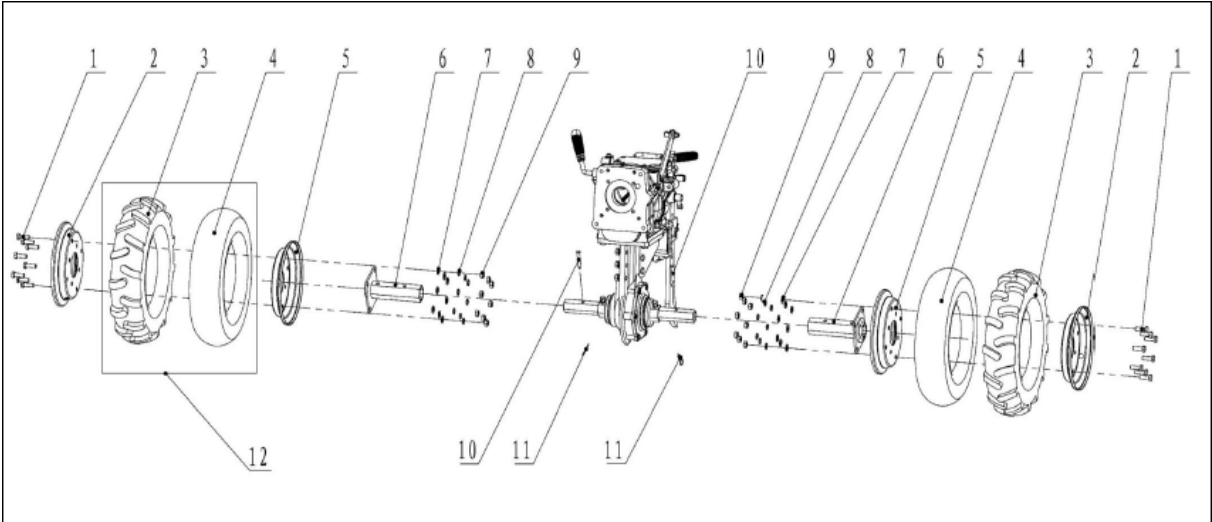
Ref	Part No	Description	Remark	QTY KIT
1	590 38 75-01	CAMSHAFT		1
2	590687601	TBD		2
3	590 38 77-01	PUSH ROD		2
4	590 38 78-01	VALVE	INLET	1
5	590 38 79-01	VALVE	EXHAUST	1
6	590 38 80-01	HOLDER		1
7	590 38 81-01	SEAL		1
8	590 39 43-01	SPRING	VALVE	2
9	590 39 44-01	VALVE SEAT	SPRING SEAT	1
10	590 39 45-01	ADJUSTER	EX. VALVE	1
11	590 39 54-01	VALVE SEAT	EXHAUST	1
12	590 39 55-01	PLATE	PUSH ROD GUIDE	1
13	590 39 56-01	ROCKER LEVER	VALVE ROCKER	2
14	590 39 57-01	BOLT	PIVOT	2
15	590 39 58-01	ARM	VALVE ROCKER	2
16	588 00 48-01	NUT	VALVE	2
17	588 00 50-01	NUT	PIVOT LOCKING	2



WALKING CASE

TF 545P, 967639302, 2017-02

Ref	Part No	Description	Remark	QTY KIT
1	588 44 56-01	SEAL	B45x62x8	4
2	588 44 66-01	BALL BEARING	6009	1
3	588 44 67-01	SHELL	Walking case	1
4	588 44 68-01	AXLE	Umbrella gear	1
5	588 44 69-01	BALL BEARING	30204	1
6	588 44 70-01	BALL BEARING	30206	1
7	588 44 71-01	GEAR WHEEL	Driven umbrella	1
8	588 44 72-01	SPRING WASHER	12	1
9	588 44 73-01	NUT	M12	1
10	588 44 75-01	PIN	2.5x20	1
11	588 46 71-01	SLEEVE	Output	1
12	588 46 70-01	SHAFT	Hexagonal Output Sleeve	1
13	588 45 58-01	GEAR	Walking umbrella	1
14	588 45 60-01	WASHER	60x45.5x0.5	1
15	588 45 62-01	BALL BEARING	32009	1
16	588 45 63-01	GASKET	Transmission Case, diam.0.5	1
17	588 45 66-01	COVER	Transmission Case End	1
18	587 98 29-01	WASHER	10	6
19	587 93 68-01	SPRING WASHER	10	6
20	588 45 69-01	BOLT	M10x30	6
21	588 41 68-01	O-RING	10.2x2.65	1
22	587 94 51-01	BOLT	M12x1.25x10	1



WHEELS & TIRES

TF 545P, 967639302, 2017-02

Ref	Part No	Description	Remark	QTY KIT
1	587 95 82-01	BOLT	M10x25	16
2	587 95 83-01	RIM	Outer	2
3	582 10 31-01	TIRE	Outer	2
4	582 10 43-01	TUBE	Inner	2
5	587 95 85-01	RIM	Inner	2
6	588 46 11-01	WHEEL AXLE		2
7	587 98 29-01	WASHER	10	16
8	587 93 68-01	SPRING WASHER		16
9	587 95 88-01	NUT	M10	16
10	588 46 13-01	PIN	8x50	2
11	587 95 26-01	CLIP	B	2
12	587 95 84-01	TIRE	4.0-8 (incl. inner and outside tyre)	2