

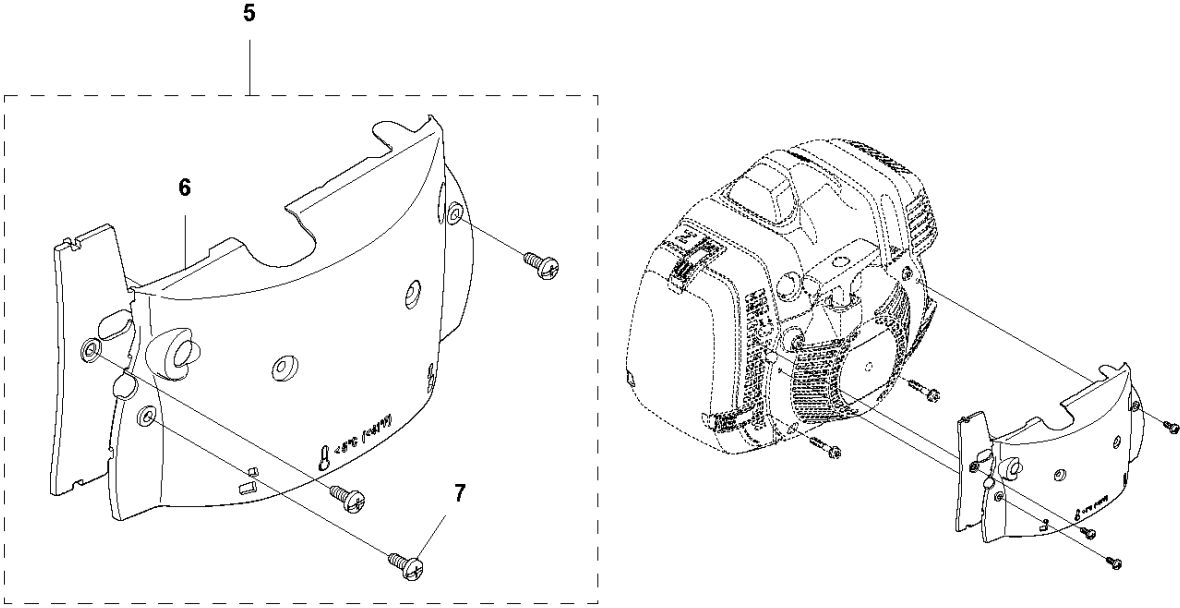
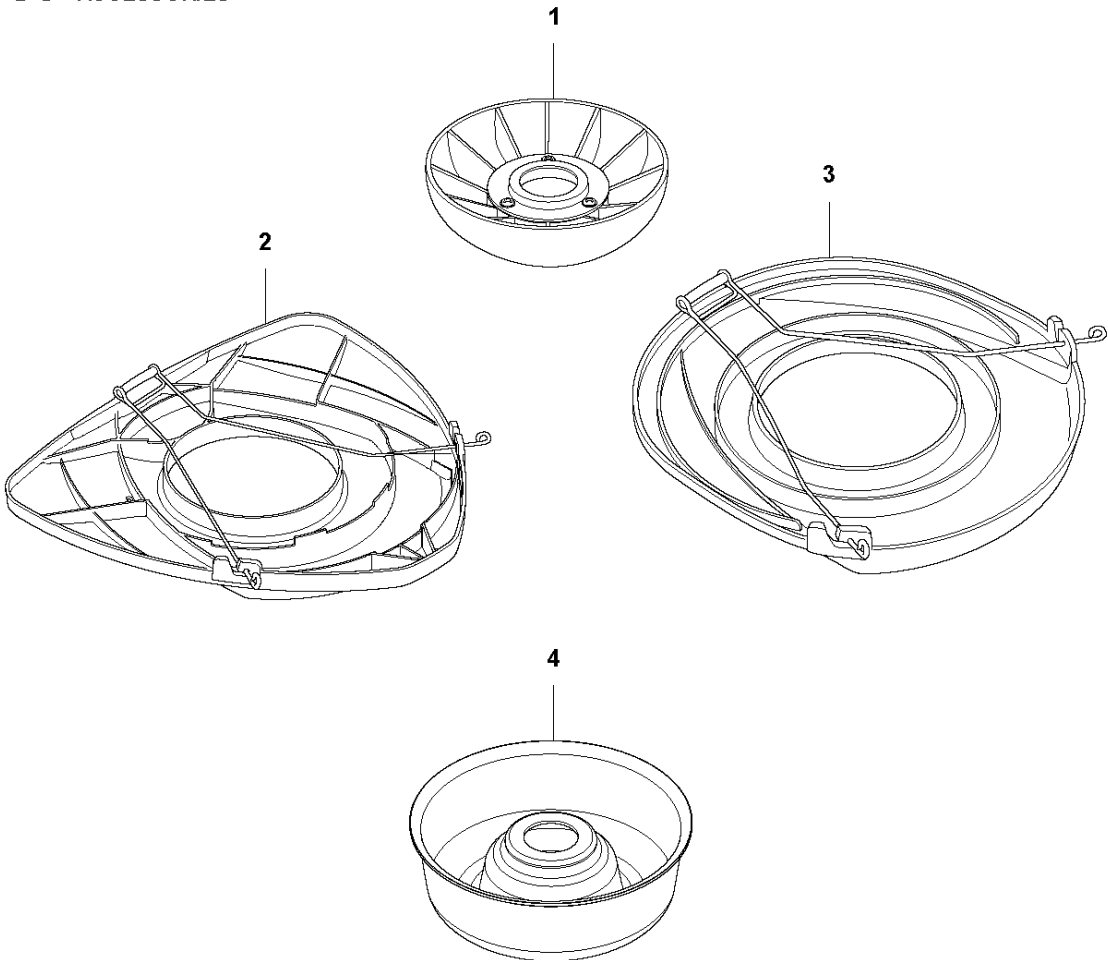


SPARE PARTS LIST

BRUSHCUTTERS/CLEARING SAWS

545 FX

R4 545 FX, 545 FXT, 545 RX, 545 RXT, 345 FR
ACCESSORIES

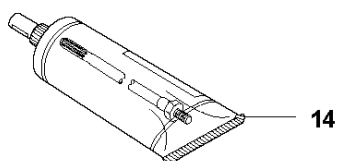
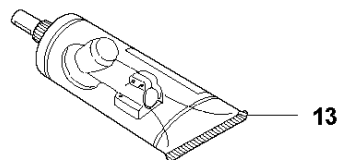
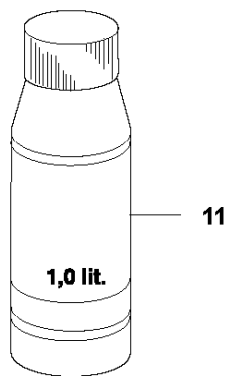
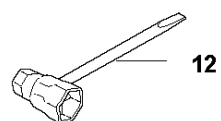
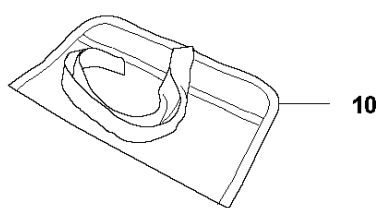
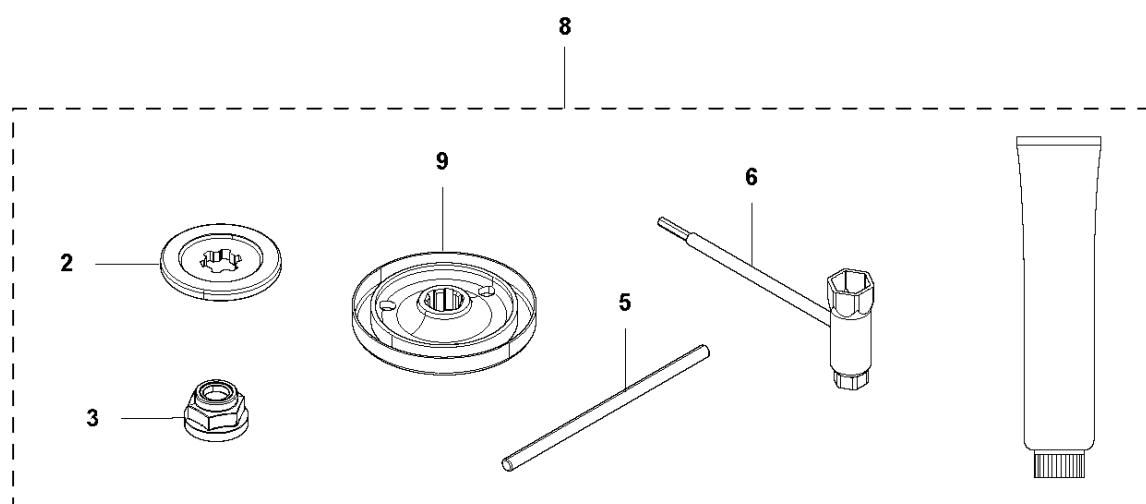
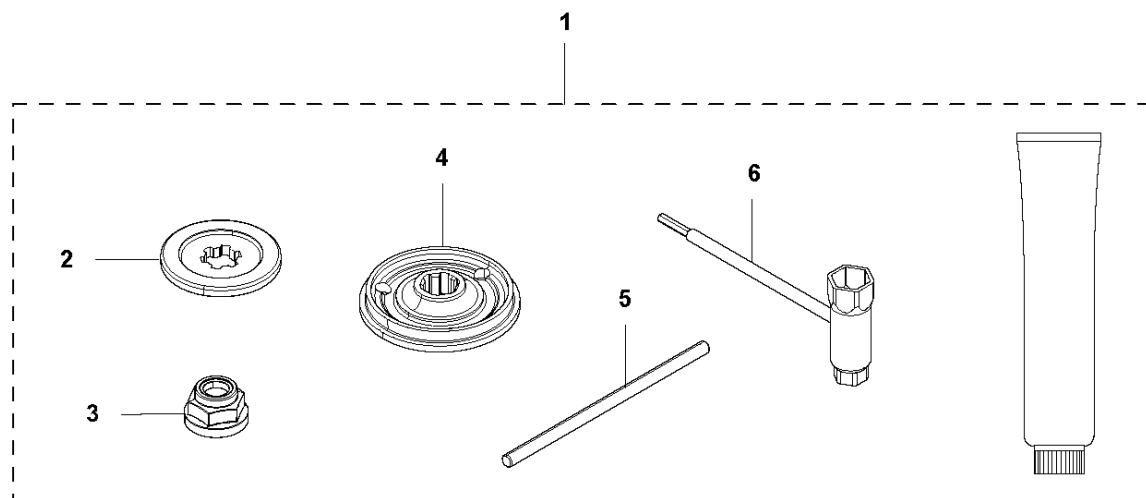


ACCESSORIES

545 FX

Ref	Part No	Description	Remark	QTY	KIT
1	502 15 70-02	SUPPORT CUP		1	
2	544 35 91-01	TRANSPORT GUARD		1	
3	537 31 29-01	SAW BLADE GUARD		1	
4	544 38 02-01	SUPPORT CUP		1	
5	577 04 39-01	KIT		1	
6	522 55 09-01	WINTER COVER		1	4
7	503 21 70-10	SCREW CCRPANT		3	4

R1 545 FX, 545 FXT, 545 RX, 545 RXT, 345 FR
ACCESSORIES

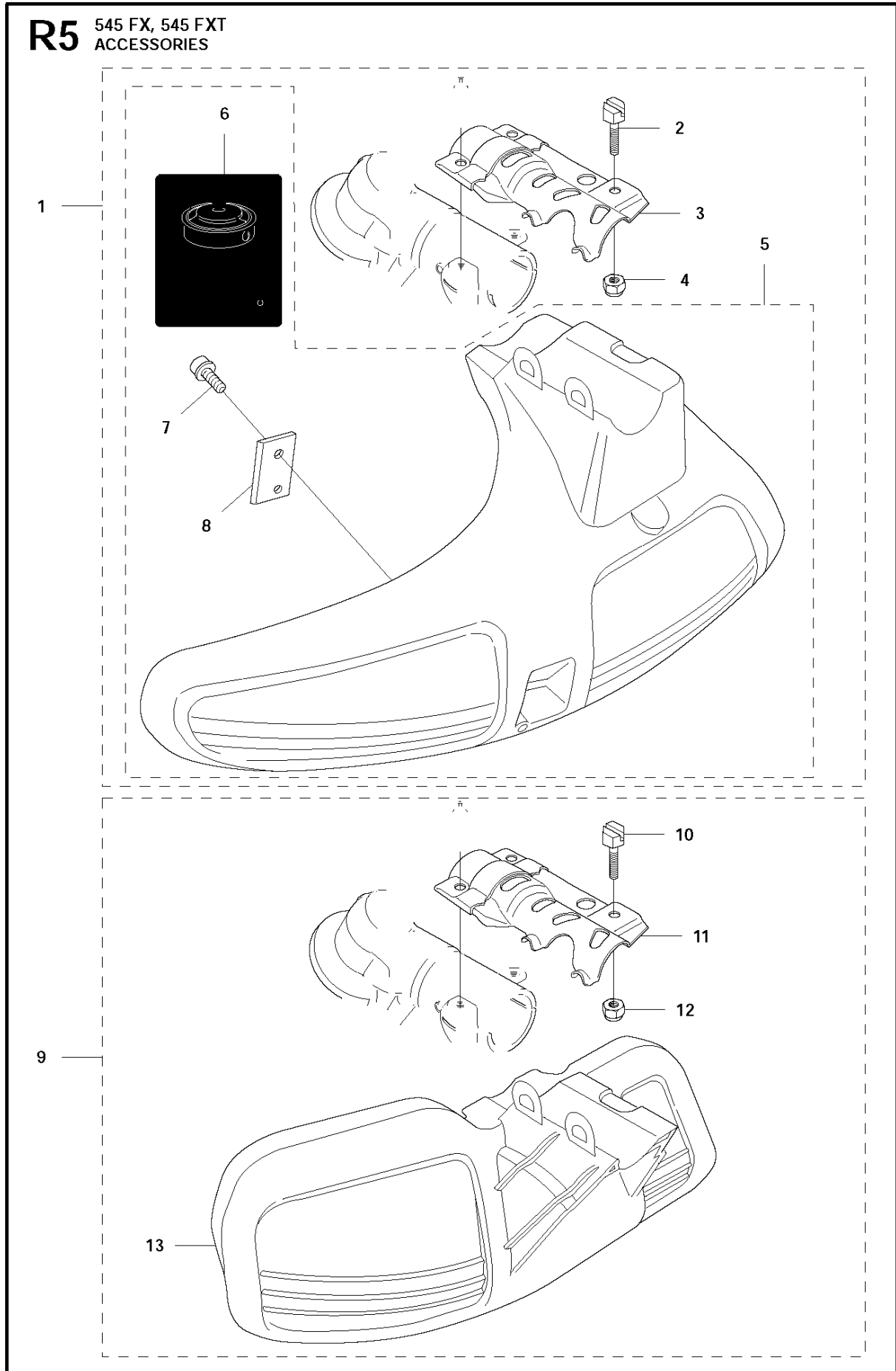


ACCESSORIES

545 FX

Ref	Part No	Description	Remark	QTY	KIT
1	502 21 60-24	ACCESSORY BAG	545FX, 545FXT	1	
2	537 34 35-02	SUPPORT FLANGE		1	1,8
3	502 29 11-01	NUT BLADE		1	1,8
4	544 19 78-01	DRIVER		1	1
5	502 28 59-01	STOP		1	1,8
6	537 36 21-02	COMBINATION WRENCH		1	1,8
8	502 21 60-27	ACCESSORY BAG	545RX, 545RXT, 345FR	1	
9	537 35 14-02	DRIVER		1	8
10	501 19 22-01	TOOL		1	
11	531 00 92-48	FILTER OIL		1	
12	537 36 21-01	COMBINATION WRENCH		1	
13	503 97 64-01	GREASE		1	
14	503 80 17-01	GREASE		1	

R5 545 FX, 545 FXT
ACCESSORIES

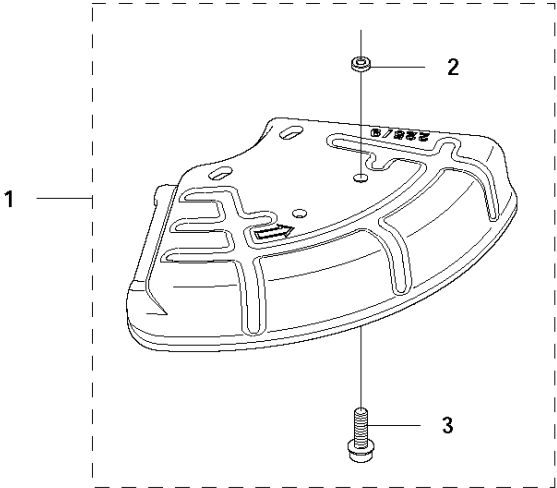


ACCESSORIES

545 FX

Ref	Part No	Description	Remark	QTY	KIT
1	537 29 73-01	TRIMMER GUARD		1	
2	537 18 95-01	SCREW		1	1
3	537 23 03-01	ATTACHMENT PLATE		1	1
4	732 21 16-01	NUT		1	1
5	503 95 43-02	TRIMMER GUARD		1	1
6	503 74 29-01	DECAL		1	1, 5
7	503 21 07-16	SCREW IHSCT		1	1, 5
8	537 28 53-01	BLADE		1	1, 5
9	537 29 74-01	GRASS BLADE GUARD		1	
10	537 18 95-01	SCREW		1	9
11	537 23 03-01	ATTACHMENT PLATE		1	9
12	732 21 16-01	NUT		1	9
13	537 28 85-01	GRASS BLADE GUARD		1	9

R6 545 FX, 545 FXT
ACCESSORIES

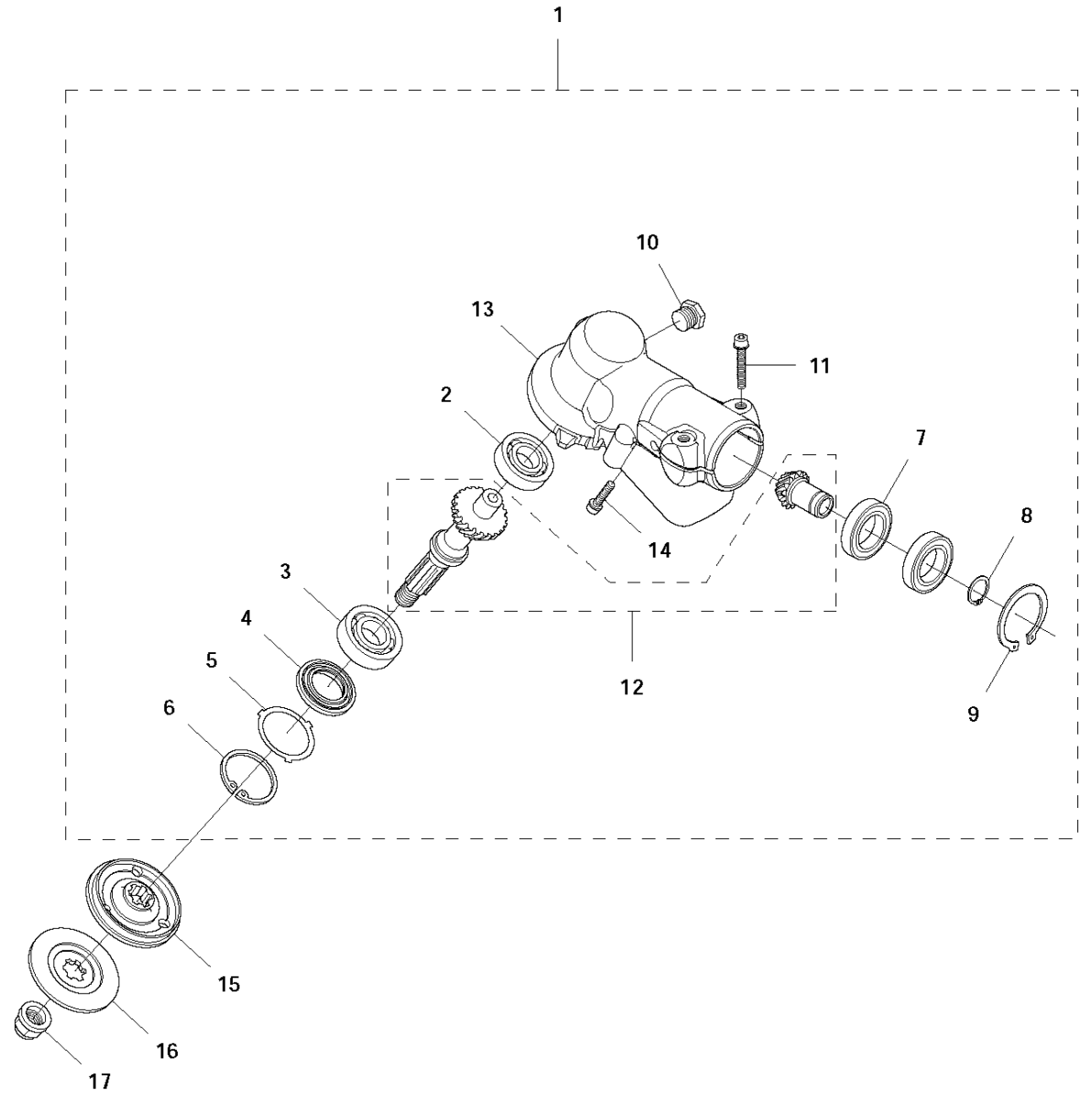


ACCESSORIES

545 FX

Ref	Part No	Description	Remark	QTY KIT	
1	574 50 67-02	SAW BLADE GUARD	225 mm Sawblade guard	1	
1	574 53 26-01	BLADE GUARD	200 mm Sawblade guard	1	
2	574 03 95-01	LOCKING NUT		1	1
3	503 20 03-16	SCREW IHSCFM		1	1

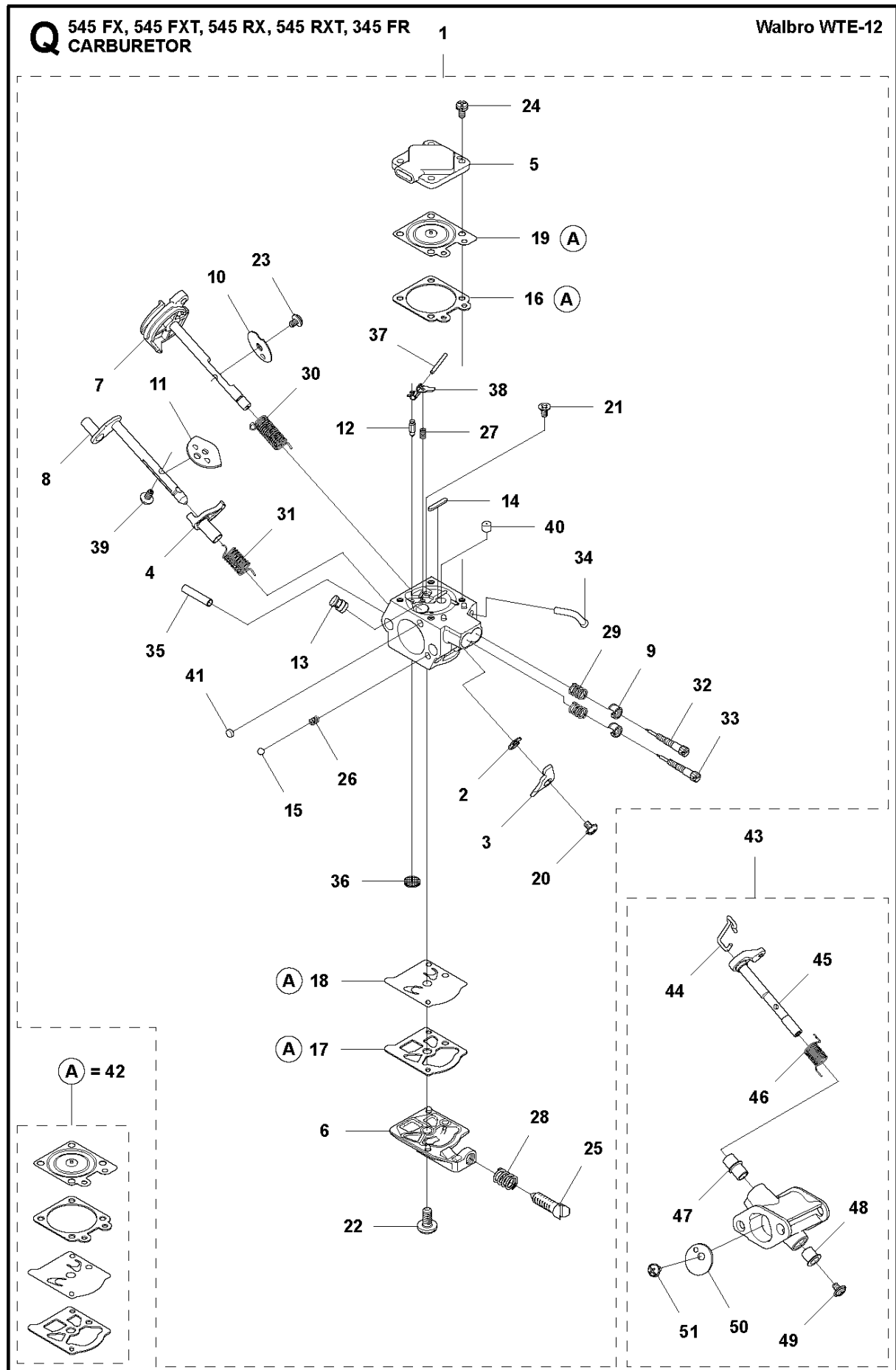
A2 545 FX, 545 FXT
BEVEL GEAR



BEVEL GEAR

545 FX

Ref	Part No	Description	Remark	QTY	KIT
1	588 16 33-01	GEAR ASSY		1	
2	738 21 01-10	BALL BEARING		1	1
3	503 25 08-01	BEARING		1	1
4	503 26 17-01	SEALING		1	1
5	503 75 89-01	COVER WASHER		1	1
6	735 31 33-10	CIRCLIP		1	1
7	738 21 87-12	BALL BEARING		2	1
8	735 31 17-00	CIRCLIP		1	1
9	735 31 31-10	CIRCLIP		1	1
10	503 20 15-01	SCREW IHHM		1	1
11	503 20 02-25	SCREW IHSCFM		2	1
12	587 97 76-01	GEAR		1	1
13	502 29 79-01	GEAR HOUSING		1	1
14	503 20 03-16	SCREW IHSCFM		4	1
15	544 19 78-01	DRIVER		1	
16	544 21 78-01	SUPPORT FLANGE		1	
17	502 29 11-01	NUT BLADE		1	

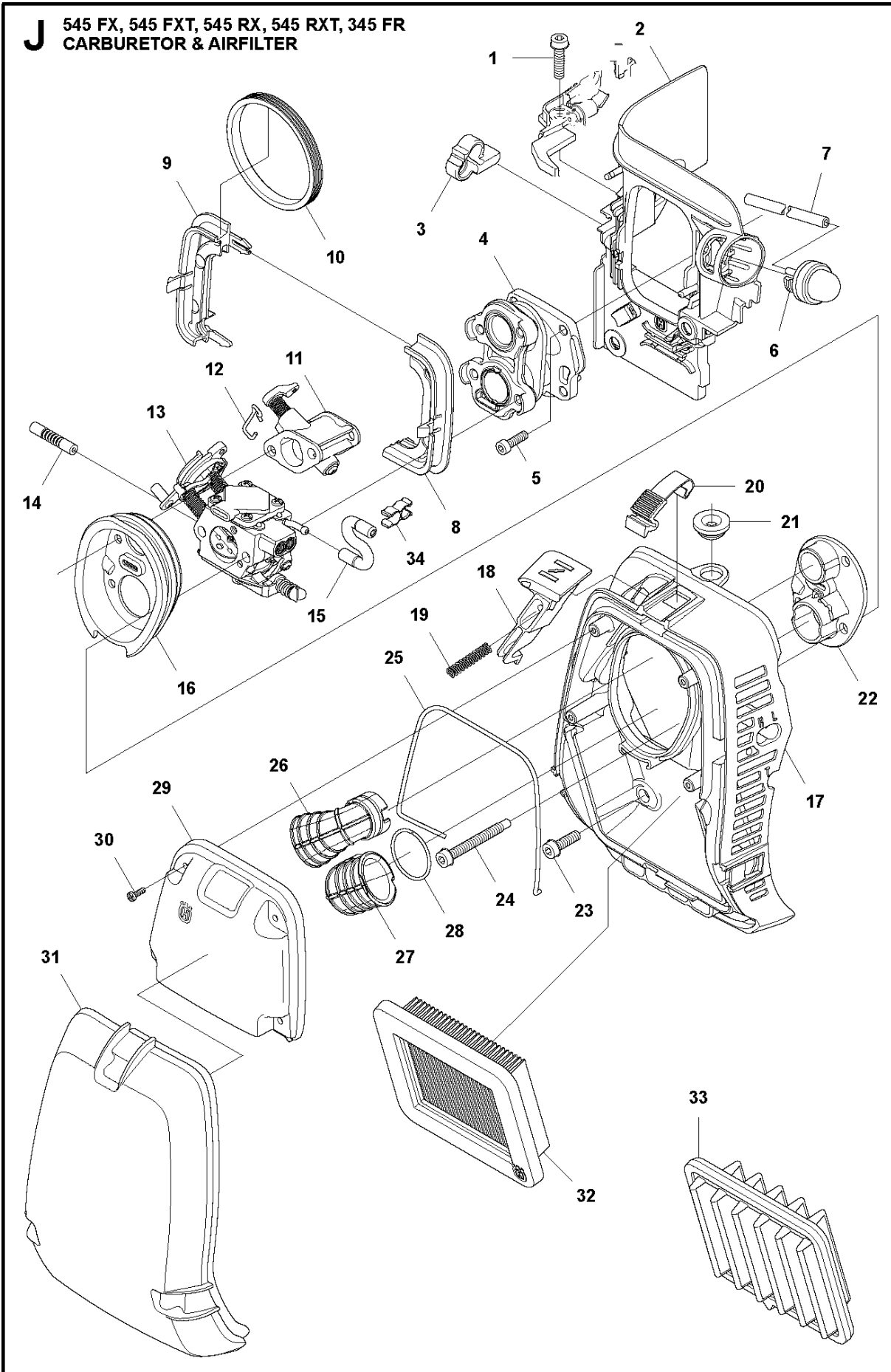


CARBURETOR

545 FX

Ref	Part No	Description	Remark	QTY	KIT
1	574 32 91-01	CARBURETTOR	Walbro WTE 12	1	
2	505 31 67-36	RING		1	1
3	575 46 37-01	LEVER		1	1
4	544 17 77-01	LEVER		1	1
5	574 35 81-01	COVER		1	1
6	503 58 43-01	COVER		1	1
7	577 01 67-01	SHAFT ASSY		1	1
8	544 04 40-01	SHAFT		1	1
9	544 97 08-01	LIMITER CAP		2	1
10	503 93 51-01	VALVE		1	1
11	537 10 96-01	VALVE		1	1
12	503 56 34-01	INLET		1	1
13	502 84 68-01	NOZZLE ASSY		1	1
14	502 84 69-01	PLUG		1	1
15	501 46 85-01	BALL		1	1
16	504 35 09-06	GASKET		1	1, 42
17	504 13 09-06	GASKET		1	1, 42
18	577 01 66-01	DIAPHRAGM		1	1, 42
19	576 68 45-01	DIAPHRAGM ASSY		1	1, 42
20	501 46 87-01	SCREW		1	1
21	502 84 71-01	SCREW		1	1
22	501 46 69-01	SCREW		1	1
23	537 00 34-01	SCREW		1	1
24	537 00 31-01	SCREW		4	1
25	537 40 82-01	SCREW		1	1
26	501 46 84-01	SPRING		1	1
27	501 79 59-01	SPRING		1	1
28	501 66 78-01	SPRING		1	1
29	525 75 54-01	SPRING		2	1
30	544 17 76-01	SPRING		1	1
31	544 97 11-01	SPRING		1	1
32	502 84 72-01	NEEDLE		1	1
33	502 84 73-01	NEEDLE		1	1
34	577 01 68-01	FITTING		1	1
35	544 97 16-01	FITTING		1	1
36	501 66 61-01	SCREEN		1	1
37	505 52 01-25	PIN-METERING LEVER		1	1
38	502 84 74-01	LEVER		1	1
39	544 11 15-01	SCREW		1	1
40	505 42 69-01	JET		1	1
41	503 57 43-01	PLUG-WELCH		1	1
42	515 99 96-01	KIT		1	
43	574 29 79-01	HOUSING		1	
44	522 54 33-01	LINK		1	43
45	574 32 39-01	SHAFT		1	43
46	544 97 18-01	SPRING		1	43
47	501 02 19-01	BUSHING		1	43
48	501 02 20-01	BUSHING		1	43
49	503 51 55-01	SCREW		1	43
50	522 54 35-01	VALVE		1	43
51	537 00 34-01	SCREW		1	43

J 545 FX, 545 FXT, 545 RX, 545 RXT, 345 FR
CARBURETOR & AIRFILTER



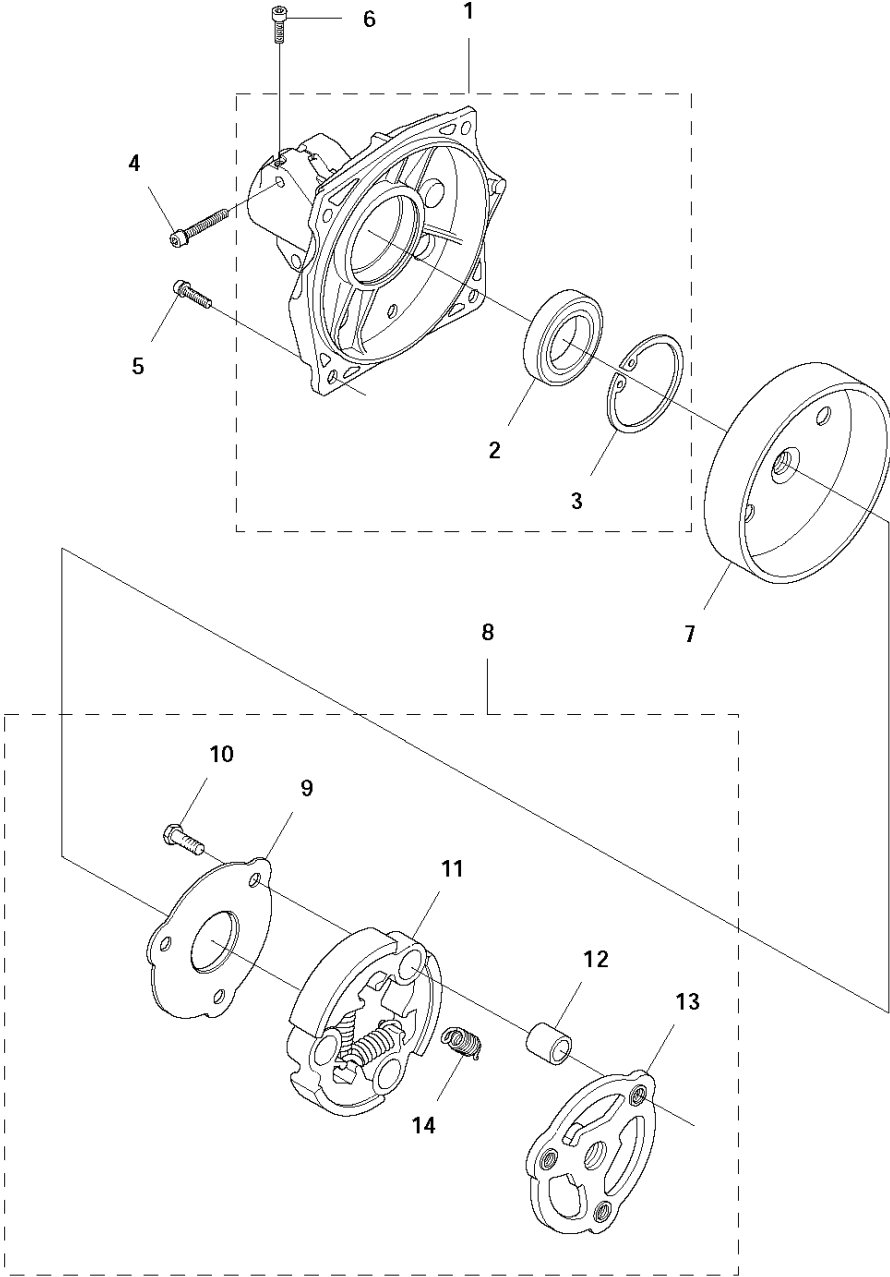
CARBURETOR & AIR FILTER

545 FX

Ref	Part No	Description	Remark	QTY KIT
1	503 20 07-76	SCREW IHSCFM		1
2	525 28 92-01	INSULATION WALL		1
3	575 23 95-01	GROMMET		1
4	574 44 03-01	INLET PIPE		1
5	503 20 25-16	SCREW IHSCM		4
6	503 93 66-01	PRIMER HOUSING		1
7	537 04 24-07	FUEL HOSE		1
8	576 12 27-01	FRAME		1
9	576 12 37-01	FRAME		1
10	576 22 37-01	SEALING RING		1
11	574 29 79-01	HOUSING		1
12	522 54 33-01	LINK		1
13	580 80 39-01	CARBURETTOR		1
14	581 75 61-43	FUEL HOSE		1
15	523 05 68-01	FUEL HOSE		1
16	574 85 12-01	SEALING		1
17	523 04 48-01	FILTER HOLDER ASSY		1
18	522 44 99-01	CHOKE CONTROL		1
19	524 85 30-01	SPRING		1
20	503 74 01-02	SNAP		3
21	537 01 65-01	SUPPORT		1
22	577 47 97-01	COVER PLATE		1
23	503 20 07-74	SCREW IHSCFM		2
24	537 31 60-01	SCREW IHSCFM		4
25	503 26 32-04	O-RING		1
26	586 94 69-01	INLET PIPE		1
27	587 73 65-01	INLET PIPE ASSY		1
28	576 47 59-01	LOCKING SPRING		1
29	575 26 84-01	COVER LID		1
30	503 21 29-10	SCREW CCRPANT		4
31	510 18 97-01	FILTER COVER		1
32	574 66 80-03	FILTER		1
33	537 41 08-01	FILTER		1
34	580 45 17-01	CLIP		1

F 545 FX, 545 FXT, 545 RX, 545 RXT, 345 FR

CLUTCH

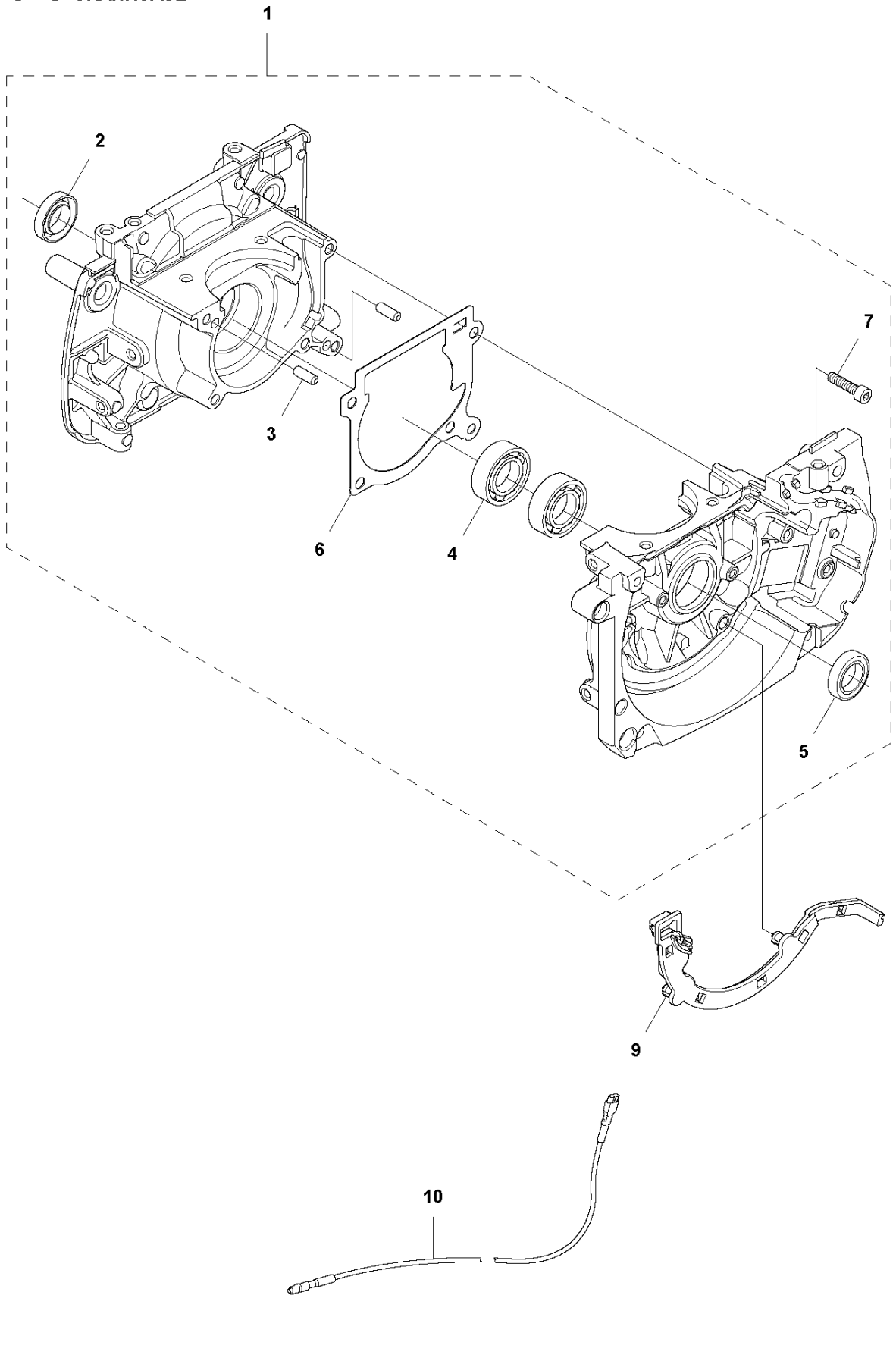


CLUTCH

545 FX

Ref	Part No	Description	Remark	QTY KIT	
1	503 95 41-03	CLUTCH COVER		1	
2	738 22 02-19	BALL BEARING		1	1
3	735 31 33-10	CIRCLIP		1	1
4	503 20 02-30	SCREW IHSCFM		2	
5	503 20 02-20	SCREW IHSCFM		4	
6	503 20 20-01	SCREW IHSCM		1	
7	544 90 07-01	CLUTCH DRUM ASSY		1	
8	588 46 66-01	CLUTCH ASSY		1	
9	537 13 53-01	WASHER		1	8
10	503 20 18-18	SCREW EHHM		3	8
11	503 95 36-01	CLUTCH SHOE		3	8
12	537 13 54-01	BEARING BUSH		3	8
13	503 95 37-01	CLUTCH HUB		1	8
14	505 43 53-01	CLUTCH SPRING		3	8

P1 545 FX, 545 FXT
CRANKCASE



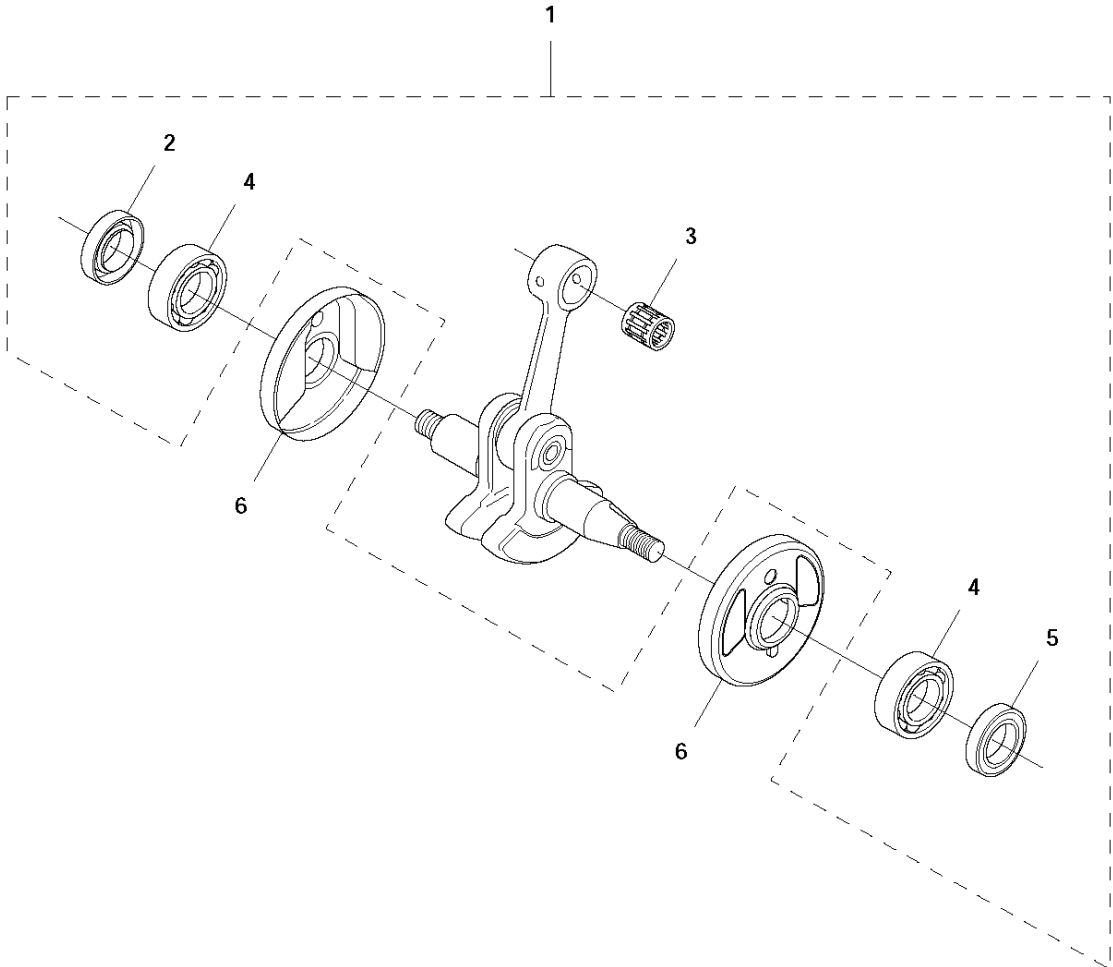
CRANKCASE

545 FX

Ref	Part No	Description	Remark	QTY	KIT
1	585 47 02-01	CRANKCASE ASSY	s/n up to - 20151601100	1	
1	588 67 63-01	CRANKCASE ASSY	s/n from 20151601101 -	1	
2	577 32 49-01	RADIAL SEAL		1	1
3	501 27 08-01	GUIDE BUSHING	s/n from 20132700001 -	2	1
3	720 13 07-10	PARALLEL PIN	s/n up to - 20132699999	2	1
4	503 25 08-01	BEARING		2	1
5	505 27 57-19	SEALING RING		1	1
6	510 24 11-01	GASKET	s/n up to - 20132699999	1	1
6	584 46 96-01	GASKET	s/n 20132700001 - 20151601100	1	1
6	588 57 41-01	GASKET	s/n from 20151601101 -	1	1
7	725 53 35-55	SCREW IHSCM		5	1
9	510 17 99-01	CABLE HOLDER		1	
10	525 85 84-01	SHORT CIRCUIT CABLE		1	

N 545 FX, 545 FXT, 545 RX, 545 RXT, 345 FR

CRANK SHAFT

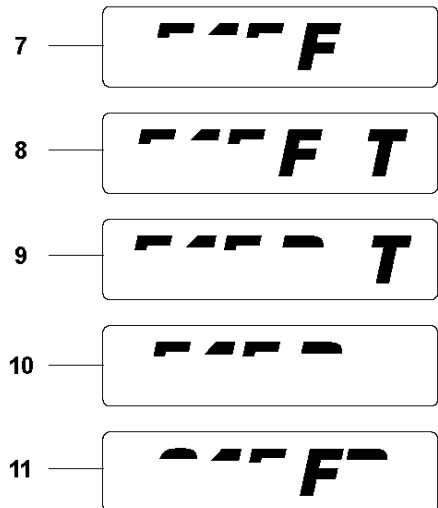
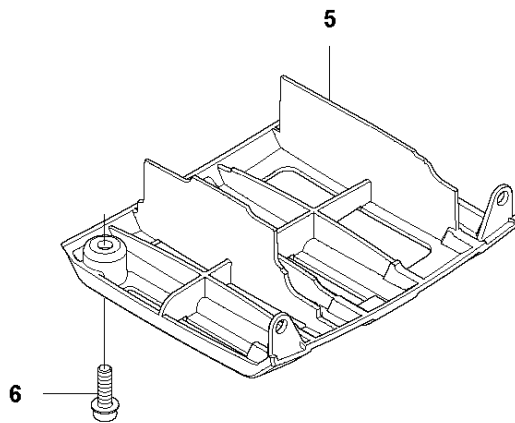
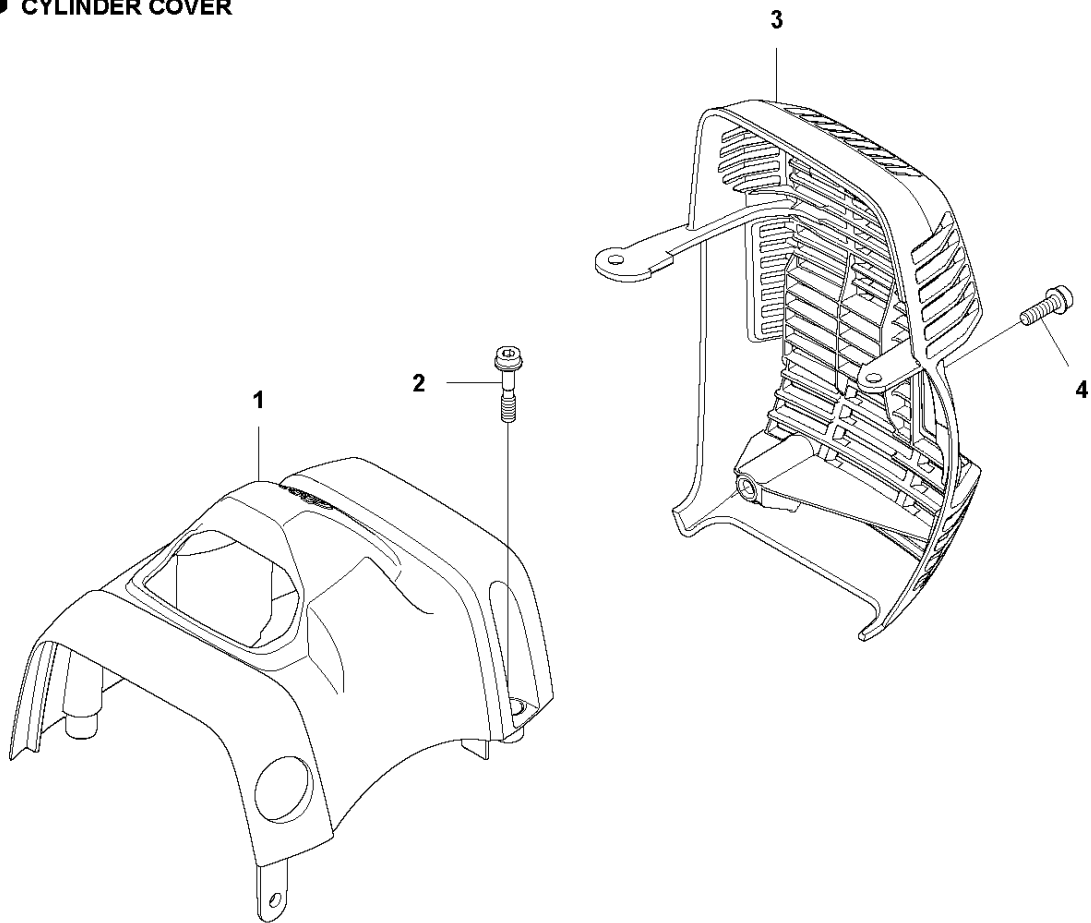


CRANKSHAFT

545 FX

Ref	Part No	Description	Remark	QTY	KIT
1	577 27 48-01	CRANKSHAFT KIT		1	
2	577 32 49-01	RADIAL SEAL		1	1
3	503 25 63-01	NEEDLE BEARING		1	1
4	503 25 08-01	BEARING		2	1
5	505 27 57-19	SEALING RING		1	1
6	537 15 85-01	CUP		2	

G 545 FX, 545 FXT, 545 RX, 545 RXT, 345 FR
CYLINDER COVER

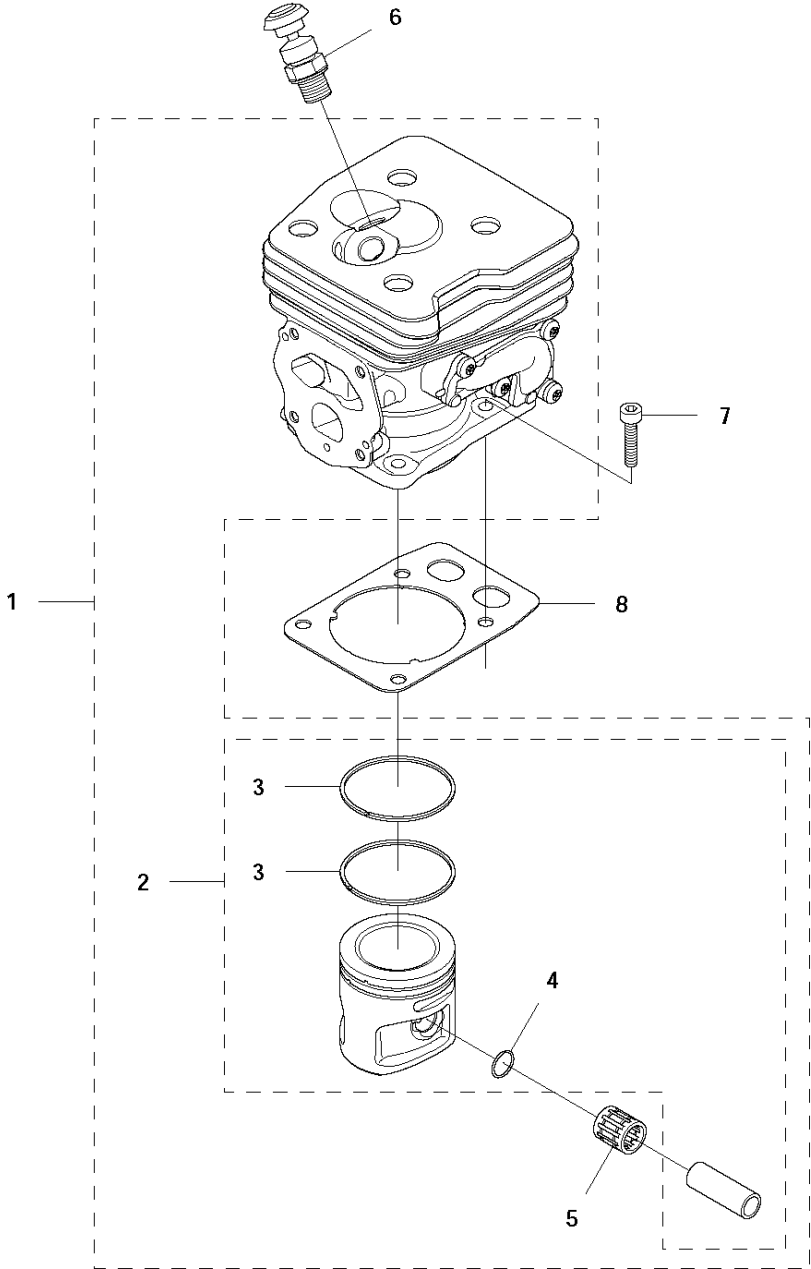


CYLINDER COVER

545 FX

Ref	Part No	Description	Remark	QTY KIT
1	510 04 75-01	CYLINDER COVER		1
2	574 47 70-04	SCREW IHSCFMO	Captive Screw	3
3	576 92 00-01	HEAT PROTECTOR		1
4	503 20 07-74	SCREW IHSCFM		1
5	579 33 00-01	PROTECTIVE COVER		1
6	503 20 07-74	SCREW IHSCFM		2
7	576 99 86-01	LABEL	FX	1
8	576 99 86-02	LABEL	FXT	1
9	576 99 86-03	LABEL	RXT	1
10	576 99 86-04	LABEL	RX	1
11	576 99 86-05	LABEL	FR	1

M 545 FX, 545 FXT, 545 RX, 545 RXT, 345 FR
CYLINDER & PISTON

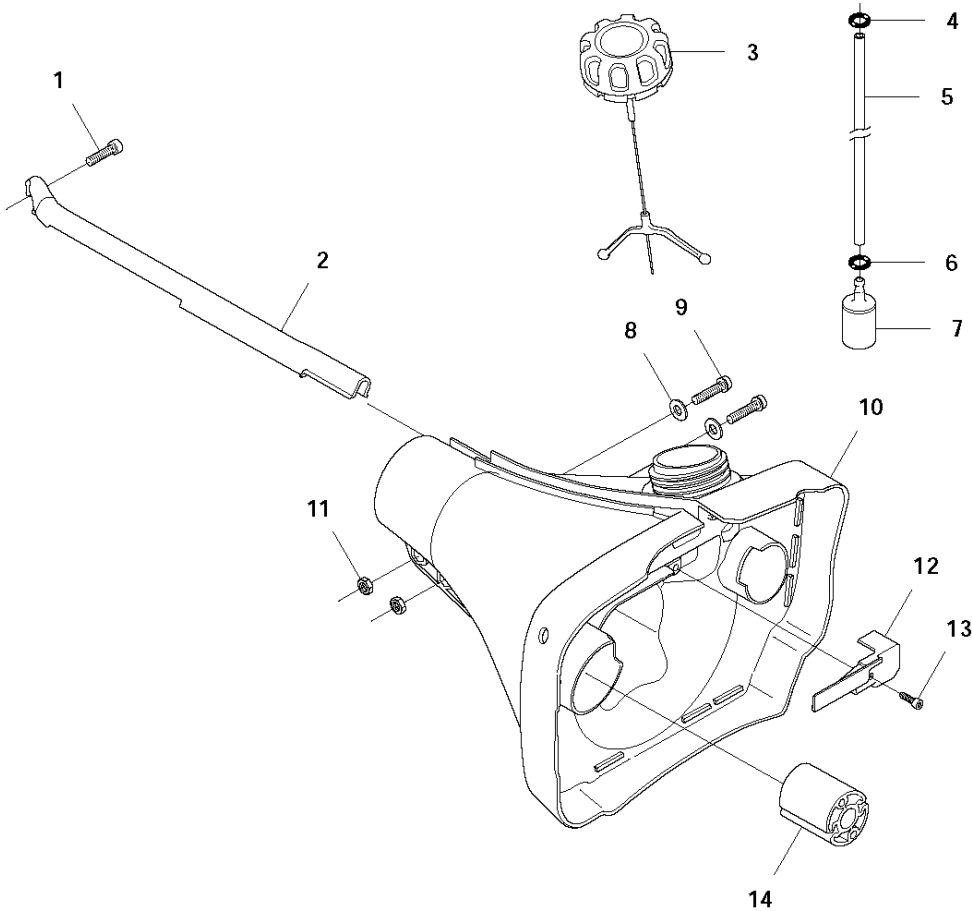


CYLINDER PISTON

545 FX

Ref	Part No	Description	Remark	QTY	KIT
1	577 27 49-01	CYLINDER KIT	s/n up to - 20122300180	1	
1	577 27 49-02	CYLINDER KIT	s/n from 20122300181 -	1	
2	522 62 63-02	PISTON ASSY	s/n up to - 20122300180	1	1
2	576 28 27-02	PISTON ASSY	s/n from 20163900236 -	1	
2	576 28 27-04	PISTON ASSY	s/n from 20122300181 up to - 20163900235	1	
3	522 62 65-01	PISTON RING	s/n up to - 20122300180	2	1, 2
3	576 28 30-01	PISTON RING	s/n from 20122300181 -	2	
4	737 44 10-00	SNAP RING		2	1, 2
5	503 25 63-01	NEEDLE BEARING		1	1
6	544 20 00-01	DECOMPRESSION VALVE		1	
7	725 53 31-55	SCREW IHSCM		4	
8	587 15 34-01	GASKET		1	

E 545FX, 545 FXT, 545 RX, 545 RXT, 345 FR
FUEL TANK

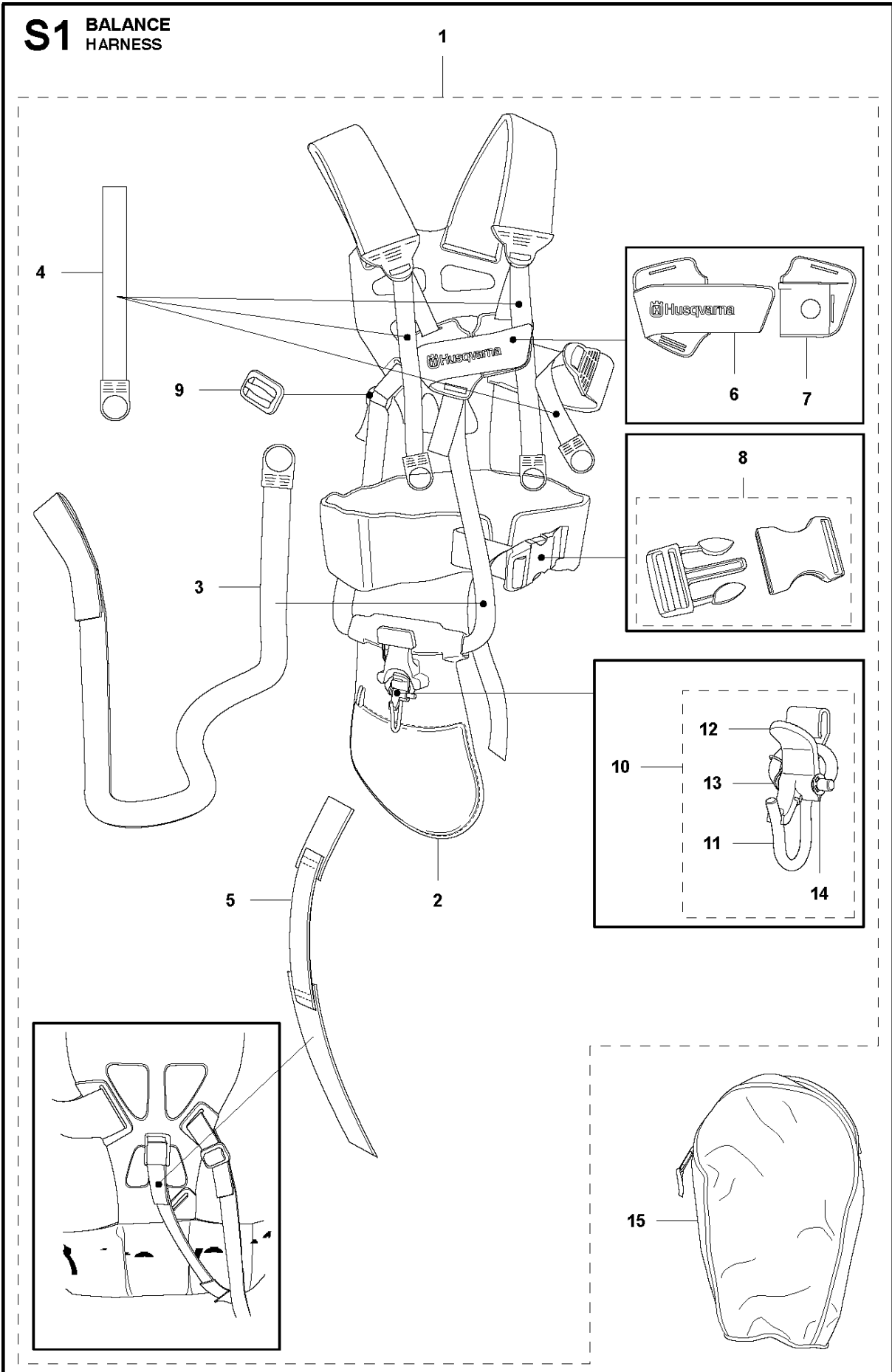


FUEL TANK

545 FX

Ref	Part No	Description	Remark	QTY KIT
1	503 20 02-16	SCREW IHSCFM		1
2	537 17 25-02	COVER	FX	1
2	537 17 25-01	COVER	RXT	1
3	544 07 69-02	TANK CAP		1
4	537 18 49-01	O-RING		1
5	581 75 61-16	FUEL HOSE		1
6	537 18 49-01	O-RING		1
7	503 44 32-01	FILTER		1
8	503 23 00-11	WASHER		2
9	503 20 02-16	SCREW IHSCFM		2
10	503 94 93-01	FUEL TANK		1
11	503 22 10-12	HEXAGON NUT		2
12	537 21 99-01	HOSE GUARD		1
13	503 21 71-16	SCREW IHST		1
14	510 20 87-01	ANTIVIBRATION ELEMENT		2

S1 BALANCE HARNESS

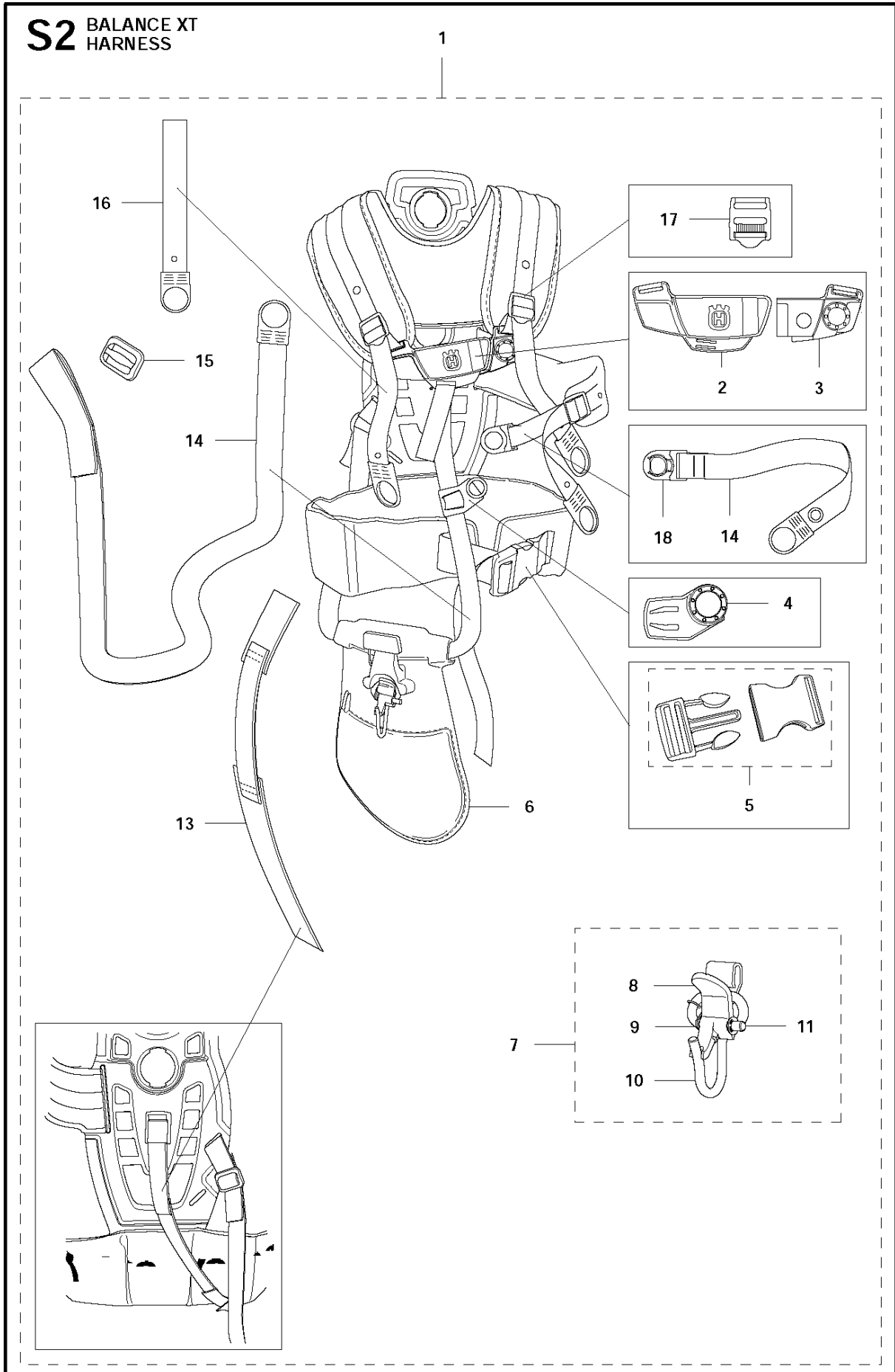


HARNESS

545 FX

Ref	Part No	Description	Remark	QTY	KIT
1	504 04 52-01	HARNESS		1	
1	505 40 62-01	HARNESS	US	1	1
2	544 90 17-01	HARNESS		1	1
3	503 99 61-03	BAND		1	1
4	503 99 61-01	HARNESS		3	1
5	537 15 35-01	HARNESS		1	1
6	537 28 84-01	FRONT PIECE		1	1
7	537 28 83-01	FRONT PIECE		1	1
8	537 33 15-01	HARNESS		1	1
9	537 11 35-01	RETAINER		1	1
10	544 96 07-02	HARNESS		1	1
11	502 02 29-02	HARNESS		1	1, 10
12	502 02 30-02	HARNESS		1	1, 10
13	586 34 10-01	SPRING		1	1, 10
14	735 31 09-20	HARNESS		1	1, 10
15	537 30 66-01	BAG	Triobalance Tool bag	1	

S2 BALANCE XT HARNESSES

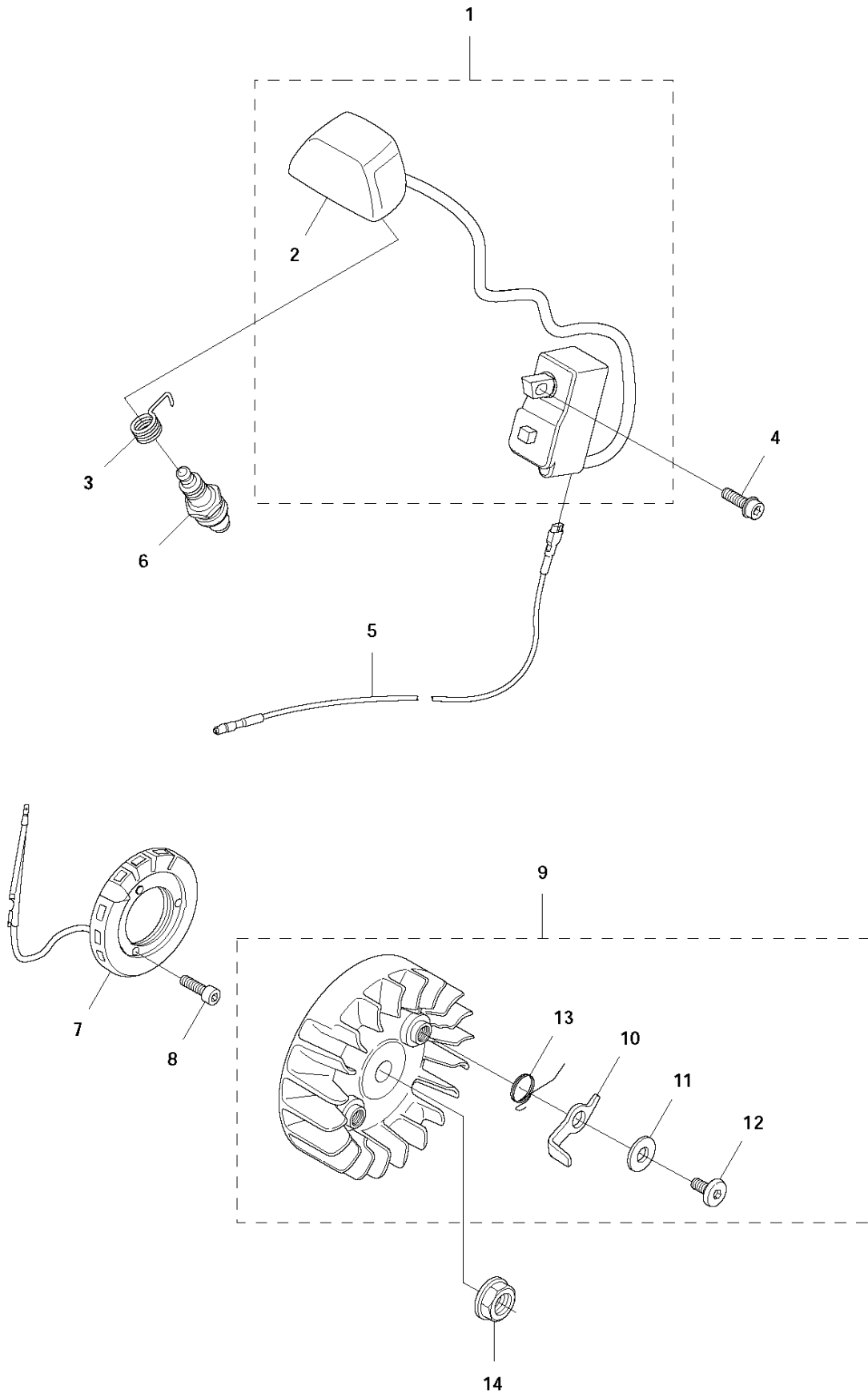


HARNESS

545 FX

Ref	Part No	Description	Remark	QTY	KIT
1	505 20 42-01	HARNESS		1	
2	504 54 52-01	HARNESS	US	1	1
3	504 54 51-01	HARNESS		3	1
4	504 63 75-01	HARNESS		1	1
5	537 33 15-01	HARNESS		1	1
6	544 90 17-01	HARNESS		1	1
7	544 96 07-02	HARNESS		1	1
8	502 02 30-02	HARNESS		1	1, 7
9	586 34 10-01	SPRING		1	1, 7
10	502 02 29-02	HARNESS		1	1, 7
11	735 31 09-20	HARNESS		1	1, 7
13	537 15 35-01	HARNESS		1	1
14	503 99 61-04	HARNESS		1	1
15	537 11 35-01	RETAINER		1	1
16	503 99 61-07	HARNESS		1	
17	505 44 46-01	HARNESS		1	
18	504 63 74-01	HARNESS		1	

L 545 FX, 545 FXT, 545 RX, 545 RXT, 345 FR
IGNITION SYSTEM

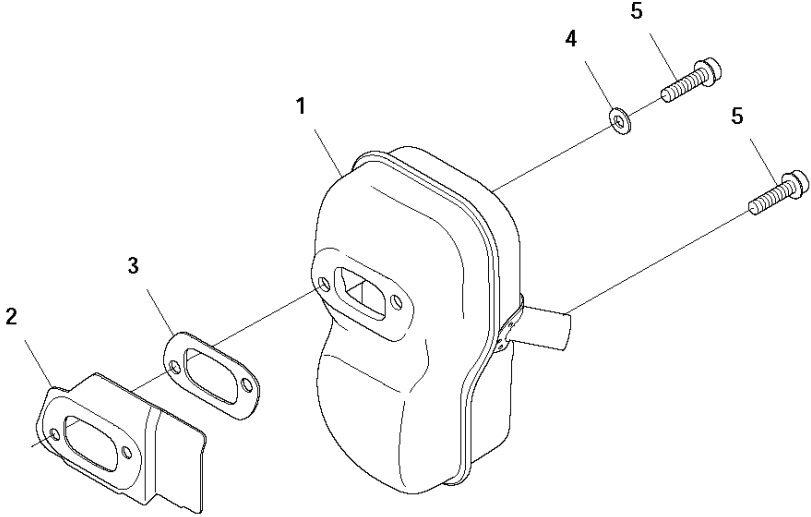


IGNITION SYSTEM

545 FX

Ref	Part No	Description	Remark	QTY	KIT
1	525 85 00-02	IGNITION MODULE	FX, FXT, s/n up to - 20122300180	1	
1	525 85 00-03	IGNITION MODULE	FX, FXT, s/n from 20122300181 - to 20143400090	1	
1	585 07 39-04	IGNITION SYSTEM	FX, FXT, s/n from 20143400091	1	
2	576 88 95-01	SPARK PLUG CAP		1	1
3	537 32 38-01	CONTACT SPRING		1	
4	503 20 07-74	SCREW IHSCFM		2	
5	525 85 84-01	SHORT CIRCUIT CABLE		1	
6	574 51 96-01	SPARK PLUG	NGK CMR6H	1	
7	537 25 63-01	GENERATOR STATOR		1	
8	503 21 66-18	SCREW IHSCF		2	
9	503 95 33-01	FLYWHEEL		1	
10	503 81 24-01	STARTER PAWL		2	9
11	503 23 00-42	WASHER		2	9
12	501 81 99-03	SCREW		2	9
13	503 81 29-01	SPRING		2	9
14	503 22 04-01	NUT		1	

H2 545 FX, 545 FXT, 545 RX, 545 RXT, 345 FR
MUFFLER, PIPE

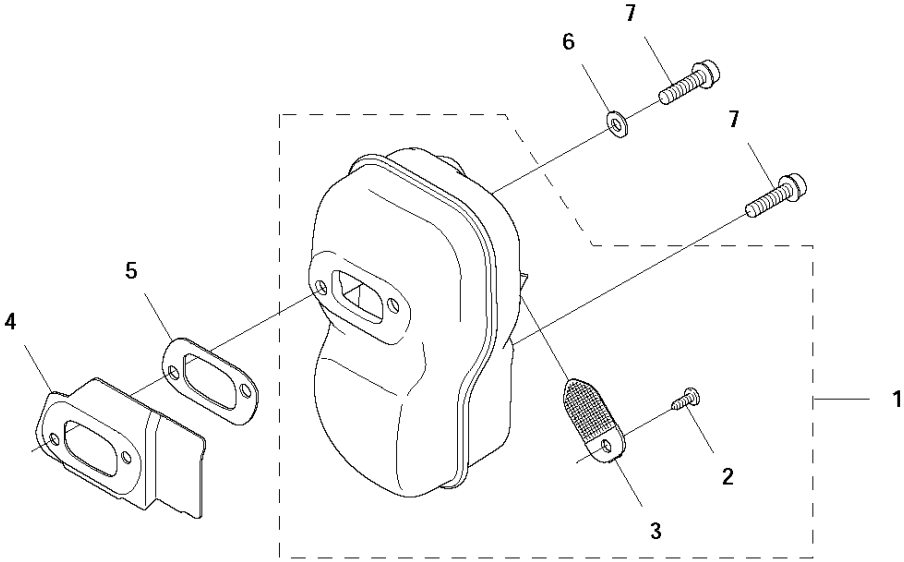


MUFFLER

545 FX

Ref	Part No	Description	Remark	QTY KIT
1	574 38 11-01	MUFFLER KIT		1
2	522 93 87-01	HEAT DEFLECTOR		1
3	522 95 44-01	GASKET		1
4	503 23 04-02	WASHER		1
5	503 20 07-76	SCREW IHSCFM		3

H1 545 FX, 545 FXT, 545 RX, 545 RXT, 345 FR
MUFFLER, FF

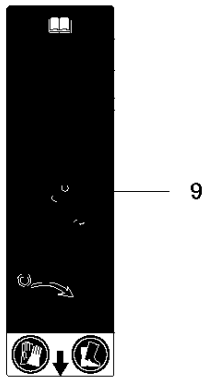
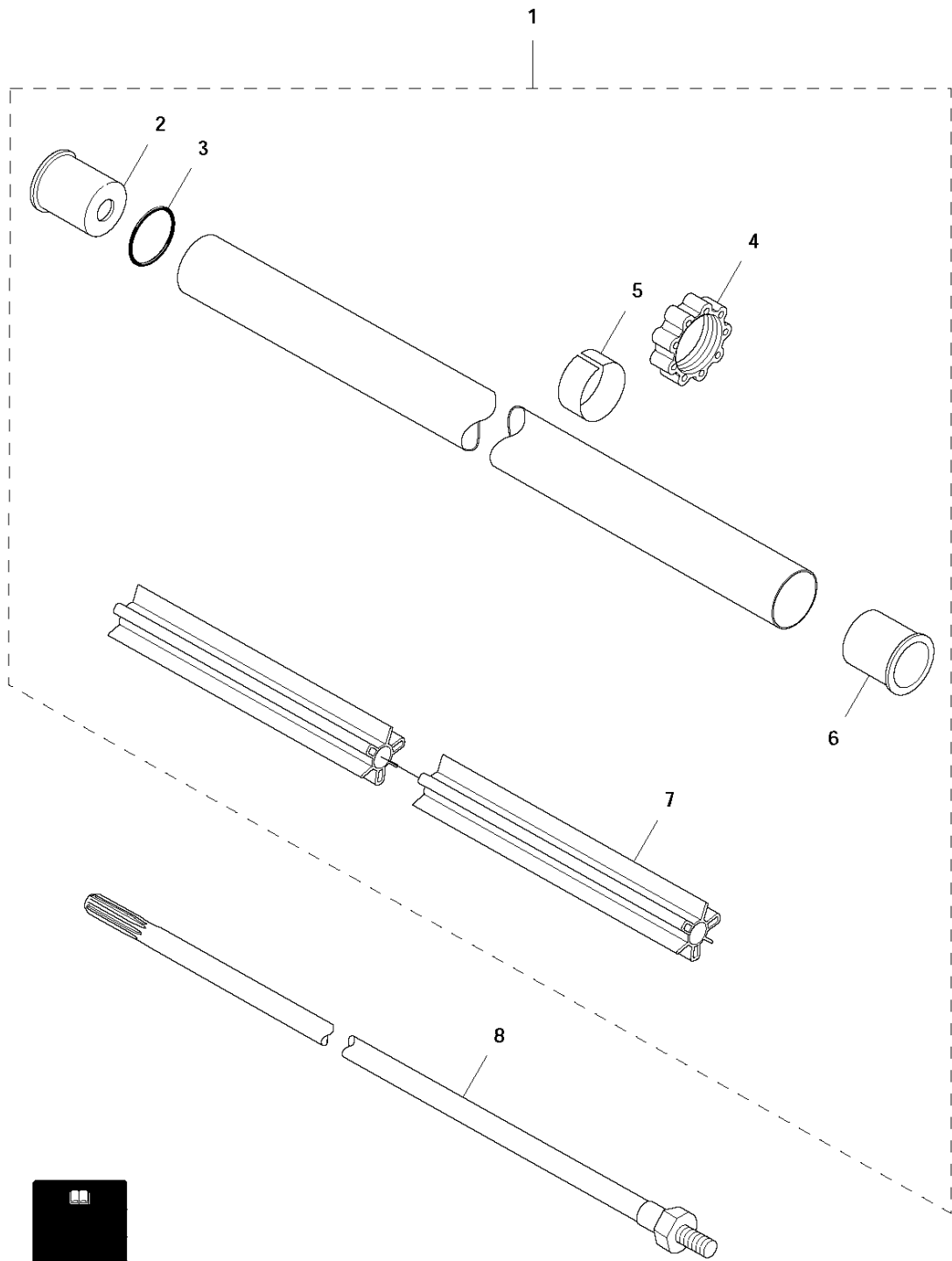


MUFFLER

545 FX

Ref	Part No	Description	Remark	QTY	KIT
1	574 38 11-02	MUFFLER KIT		1	
2	724 12 87-59	SCREW CRPANM		1	1
3	522 60 95-01	SPARK ARRESTER SCREEN		1	1
4	522 93 87-01	HEAT DEFLECTOR		1	
5	522 95 44-01	GASKET		1	
6	503 23 04-02	WASHER		1	
7	503 20 07-76	SCREW IHSCFM		3	

B 545 FX, 545 FXT, 545 RX, 545 RXT, 345FR
SHAFT



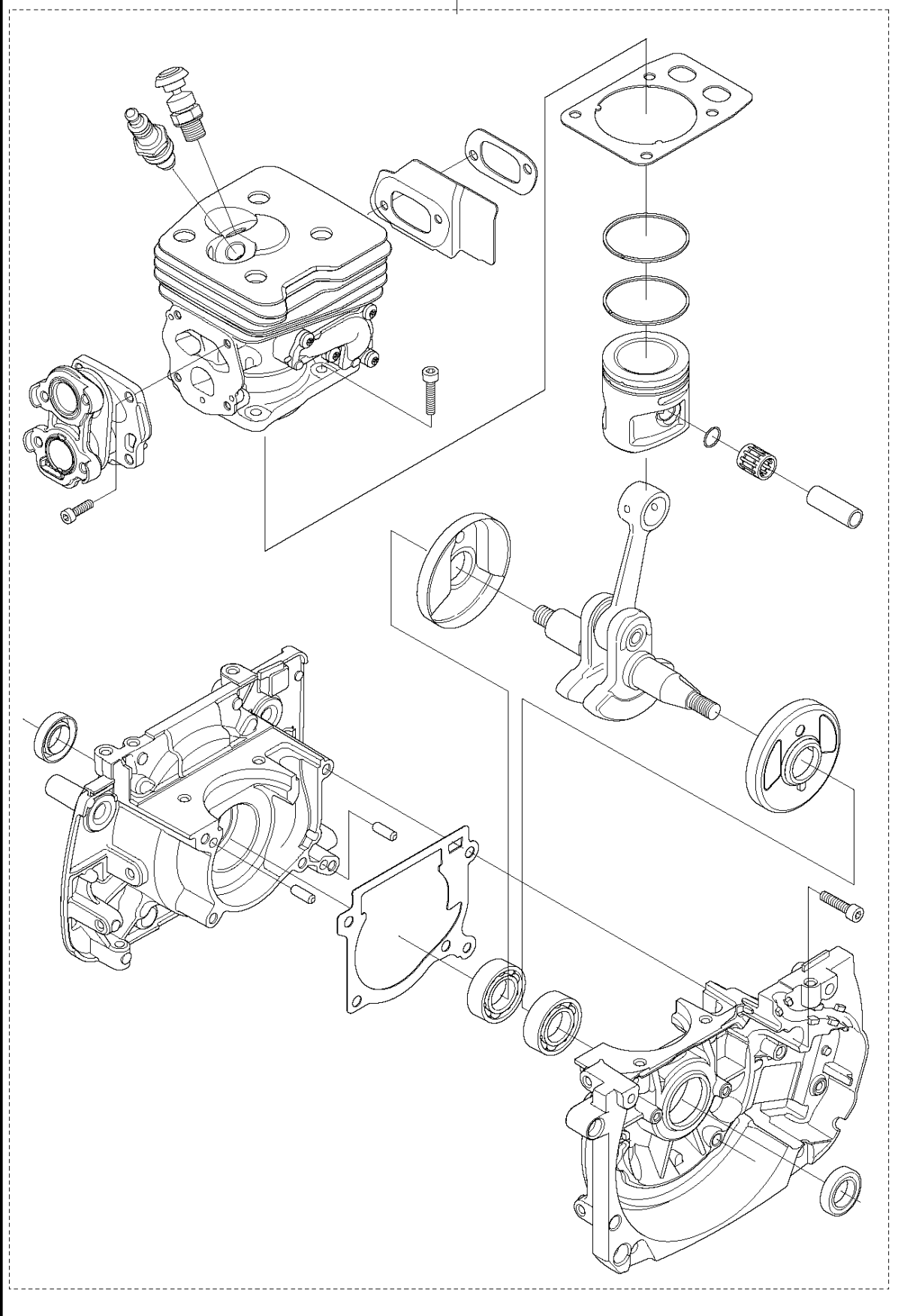
SHAFT

545 FX

Ref	Part No	Description	Remark	QTY KIT	
1	586 26 26-07	TUBE ASSY	FX, FXT	1	
1	577 26 21-04	TUBE ASSY	RXT, RX	1	
1	577 26 21-06	TUBE ASSY	FR	1	
2	544 02 94-01	SPACER		1	1
3	506 11 03-01	O-RING		1	1
4	537 30 98-01	ANTIVIBRATION ELEMENT		1	1
5	537 30 97-01	TAPE		1	1
6	544 02 94-01	SPACER	FR, FX, FXT	1	1
7	523 01 88-01	BEARING SHAFT	FX, FXT, RX	1	1
7	523 01 88-03	BEARING SHAFT	FR	1	1
8	503 95 54-01	DRIVE SHAFT	FX, FXT	1	
9	589 29 51-01	LABEL		1	

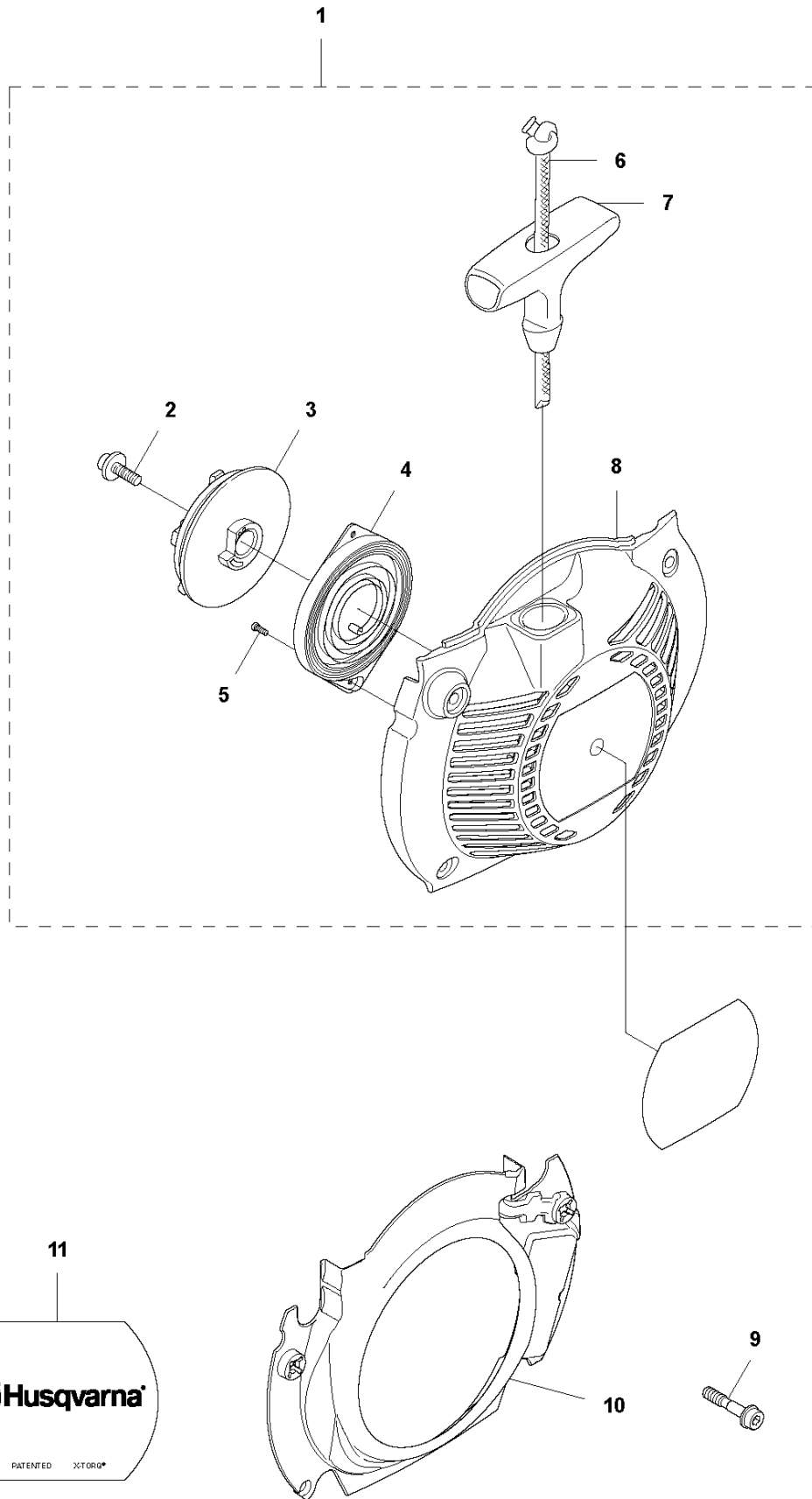
T 545 FX, 545 FXT, 545 RX, 545 RXT, 345FR
SHORT BLOCK

1



Ref	Part No	Description	Remark	QTY KIT
1	585 45 15-01	CRANKCASE SYSTEM	s/n from 20163900236 -	1
1	585 45 15-01	CRANKCASE SYSTEM	s/n up to - 20122300180	1
1	585 45 15-02	CRANKCASE SYSTEM	s/n from 20122300181 up to - 20163900235	1

K 545 FX, 545 FXT, 545 RX, 545 RXT, 345 FR
STARTER

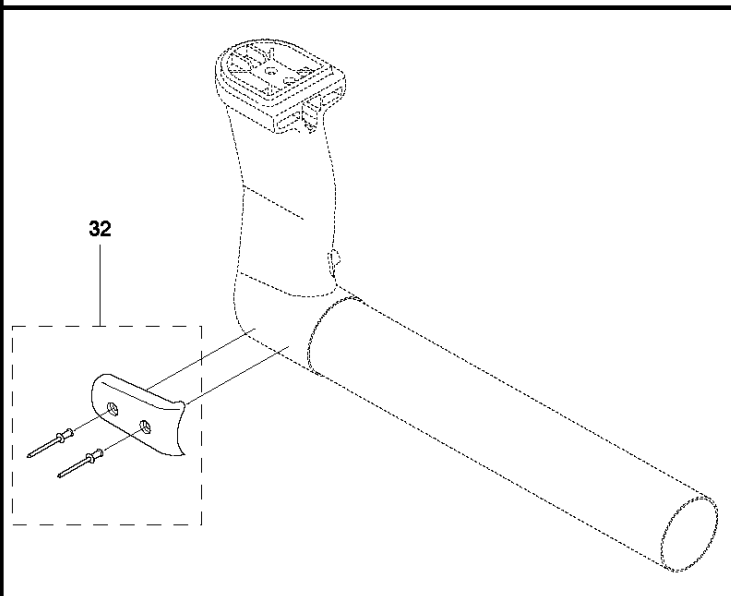
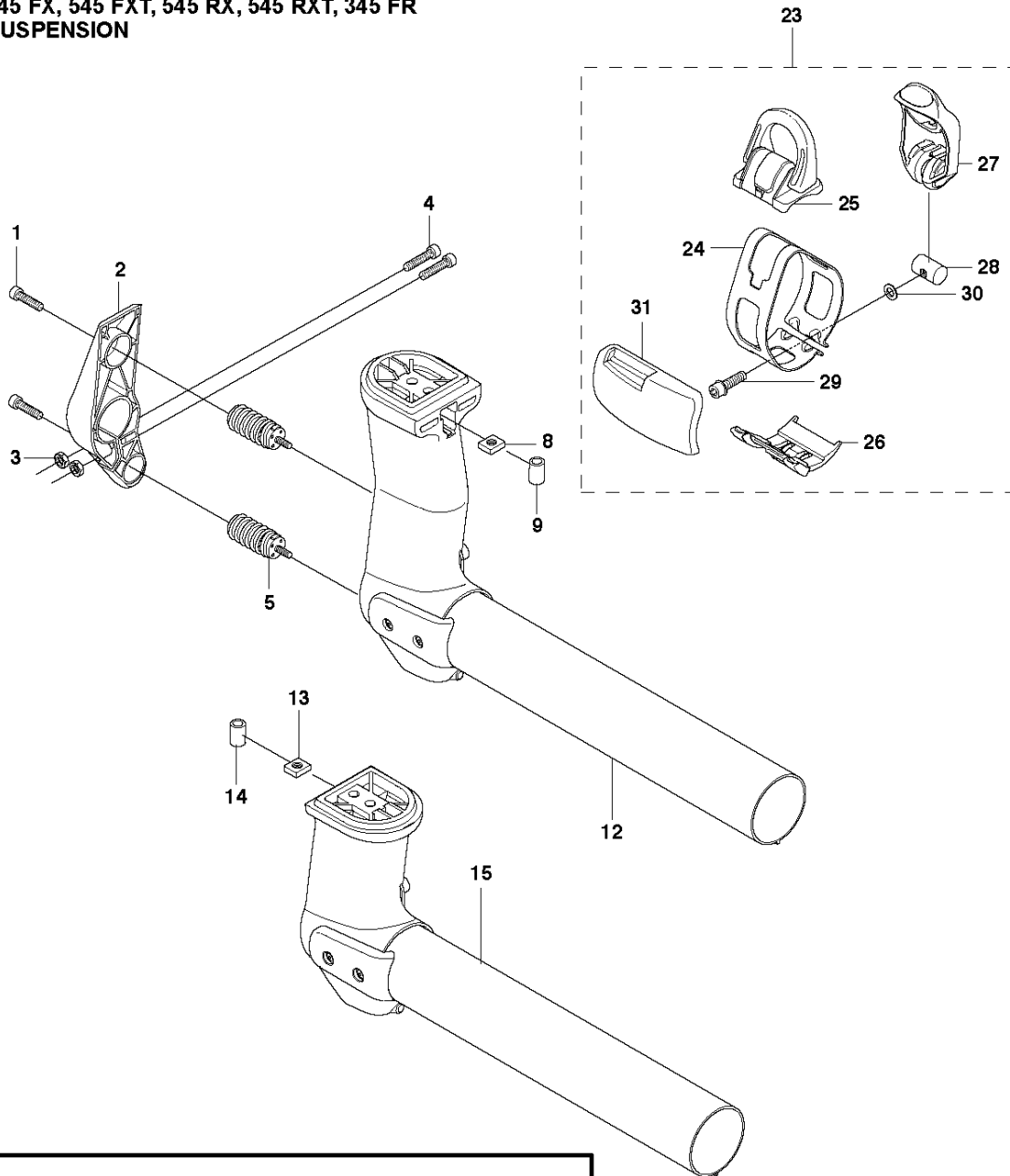


STARTER

545 FX

Ref	Part No	Description	Remark	QTY	KIT
1	573 96 08-01	STARTER		1	
2	503 21 69-16	SCREW IHSC T		1	1
3	503 95 73-01	STARTER PULLEY		1	1
4	502 20 06-01	SPRING CASSETTE ASSY		1	1
5	503 21 29-10	SCREW CCRPANT		2	1
6	505 30 51-25	STARTER CORD		1	1
7	537 23 25-01	STARTER HANDLE		1	1
8	523 34 30-01	STARTER HOUSING		1	1
9	574 47 70-04	SCREW IHSCFMO	Captive Screw	4	
10	510 20 50-01	AIR CONDUCTOR		1	
11	576 46 81-01	LABEL		1	

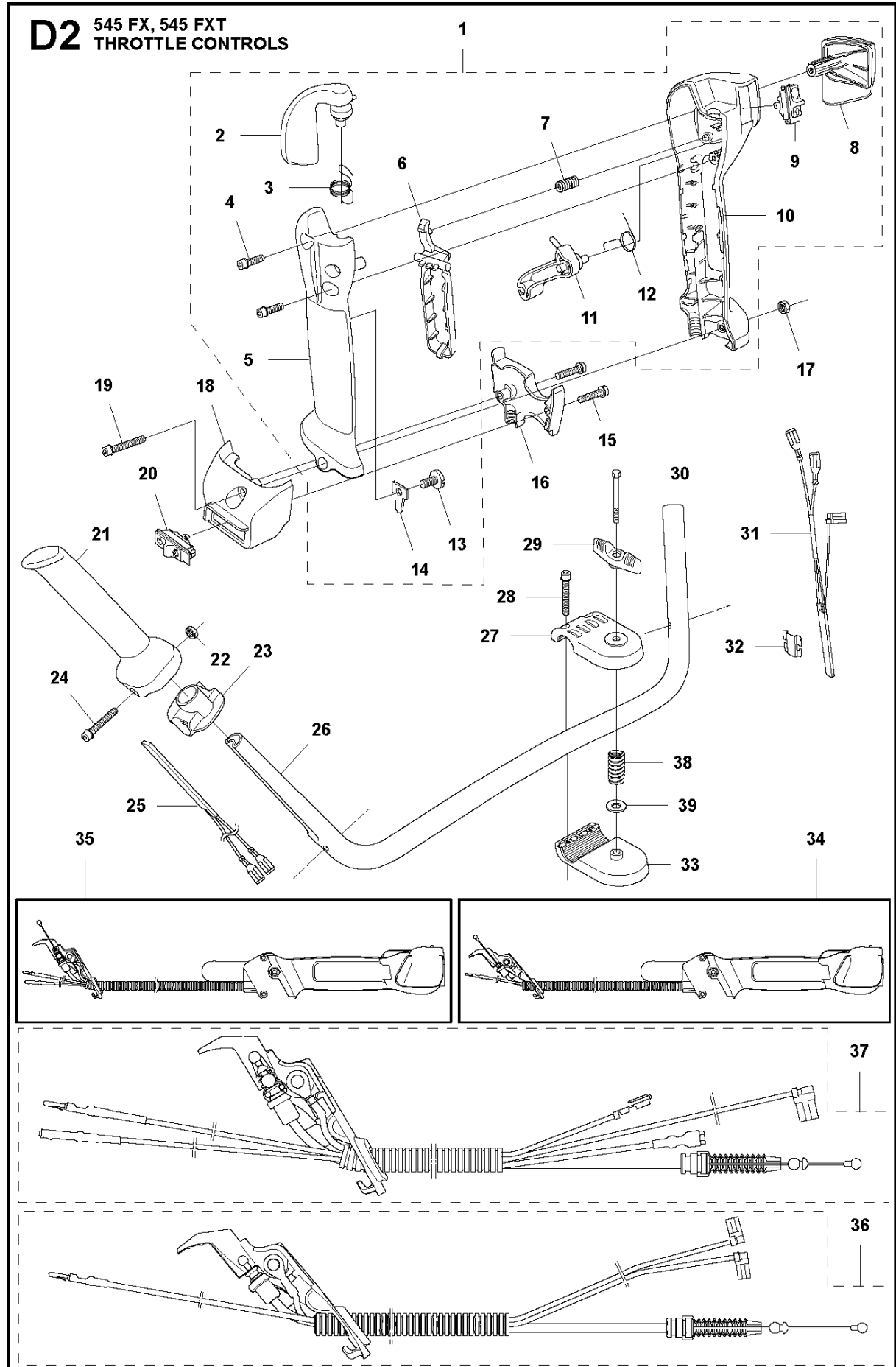
C 545 FX, 545 FXT, 545 RX, 545 RXT, 345 FR
SUSPENSION



SUSPENSION

545 FX

Ref	Part No	Description	Remark	QTY	KIT
1	503 20 02-16	SCREW IHSCFM		2	
2	503 95 53-06	HOLDER ANTIVIBRATION		1	
3	503 22 10-12	HEXAGON NUT		2	
4	503 20 02-25	SCREW IHSCFM		2	
5	537 29 97-01	ANTIVIBRATION ELEMENT		2	
8	502 19 71-01	SQUARE NUT		1	
9	503 85 73-02	COVER		1	
12	581 97 90-01	SUSPENSION	R, Rx, Magnesium	1	
13	502 19 71-01	SQUARE NUT		1	
14	503 85 73-02	COVER		1	
15	581 97 89-01	SUSPENSION	F, Fx, FxT, FR, Magnesium	1	
23	577 37 57-01	LOOP		1	
24	537 19 79-01	BAND		1	23
25	537 20 18-03	LOOP		1	23
26	577 29 93-01	GUIDE RAIL		1	23
27	577 20 83-01	LEVER		1	23
28	537 42 73-01	NUT		1	23
29	503 20 07-25	SCREW IHSCFM		1	23
30	503 23 00-11	WASHER		1	23
31	544 25 07-01	WEAR PROTECTION		1	
32	586 20 27-01	WEAR PROTECTION		1	

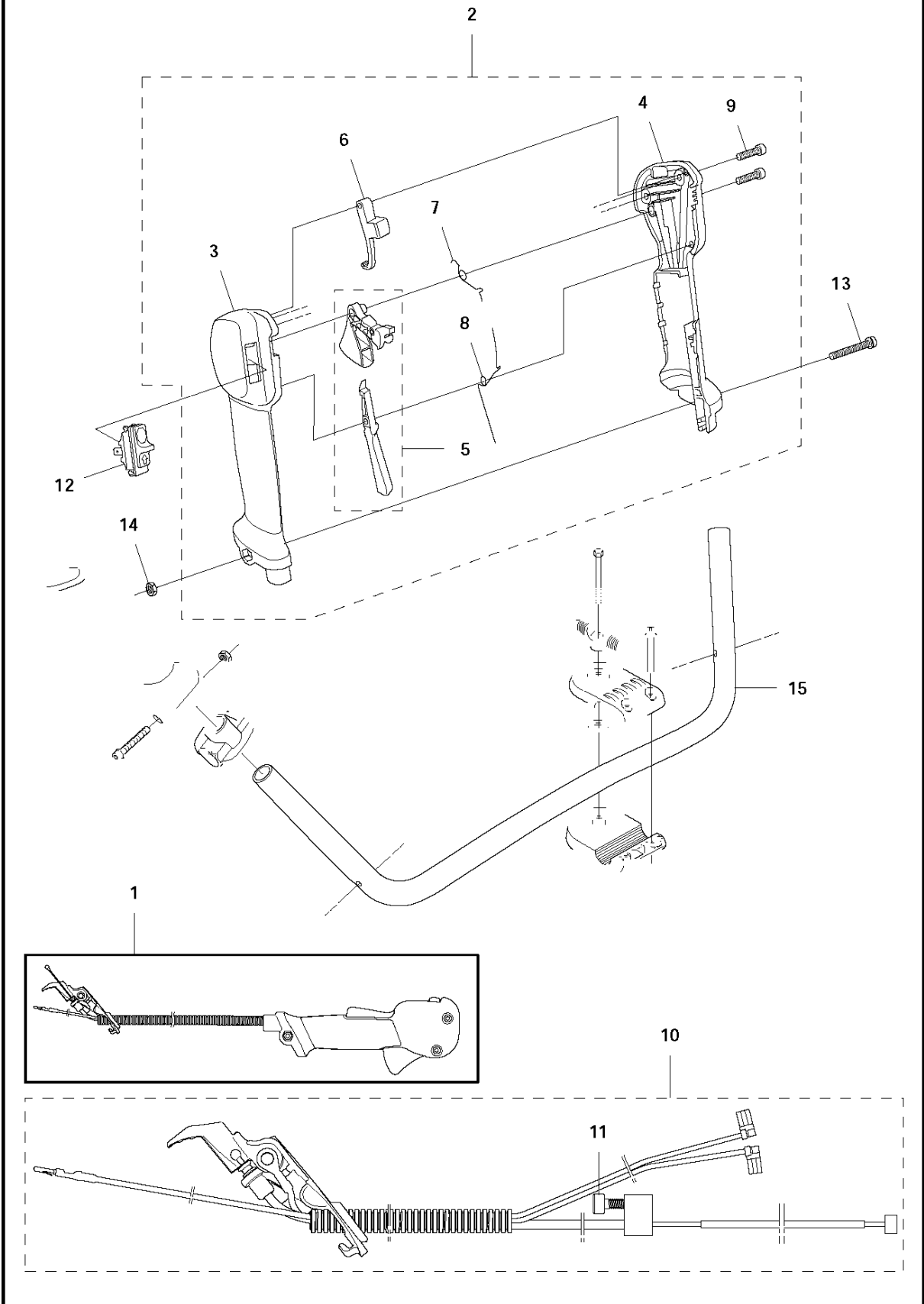


THROTTLE CONTROLS

545 FX

Ref	Part No	Description	Remark	QTY	KIT
1	537 19 72-13	THROTTLE HANDLE	Thumb-operated throttle	1	34, 35
2	537 26 34-01	THROTTLE TRIGGER		1	1, 34, 35
3	537 28 37-01	SPRING THROTTLE TRIG		1	1, 34, 35
4	503 21 75-20	SCREW IHSCFT		2	1, 34, 35
5	537 15 53-01	HANDLE HALF		1	1, 34, 35
6	537 15 56-01	THROTTLE LOCKOUT		1	1, 34, 35
7	537 19 97-01	SPRING		1	1, 34, 35
8	537 18 24-01	COVER		1	1, 34, 35
9	537 41 90-01	SWITCH		1	1, 34, 35
10	537 15 52-01	HANDLE HALF		1	1, 34, 35
11	537 26 35-01	THROTTLE LEVER		1	1, 34, 35
12	537 34 27-01	SPRING		1	1, 34, 35
13	503 21 70-10	SCREW CCRPANT		1	1, 34, 35
14	537 25 11-01	SECURING PLATE		1	1, 34, 35
15	503 21 66-74	SCREW IHSCFT	FXT	2	35
16	537 20 16-01	RETAINER	FXT	1	35
17	731 23 14-05	HEXAGON NUT		1	
18	537 20 15-01	RETAINER	FXT	1	35
19	503 20 02-35	SCREW IHSCFM		1	
19	503 20 02-45	SCREW IHSCFM	FXT	1	35
20	503 71 82-02	SWITCH	FXT	1	35
21	537 17 28-05	HANDLE		1	
22	731 23 14-05	HEXAGON NUT		1	
23	537 17 29-02	BRACKET		1	
24	503 20 02-45	SCREW IHSCFM		1	
25	537 22 72-01	ELEMENT	FXT	1	35
26	503 95 86-01	HANDLEBAR	FX	1	
26	503 95 86-02	HANDLEBAR	FXT	1	
27	537 12 90-01	HANDLEBAR BRACKET		1	
28	503 20 02-25	SCREW IHSCFM		2	
29	502 20 38-01	KNOB		1	
30	725 23 83-81	SCREW EHHM		1	
31	537 22 71-01	ELEMENT	FXT	1	35
32	537 26 51-01	SECURING PLATE	FXT	2	35
33	537 12 91-01	HANDLEBAR BRACKET		1	
34	577 00 03-01	THROTTLE HANDLE ASSY	FX, Thumb-operated throttle	1	
35	577 00 03-05	THROTTLE HANDLE ASSY	FXT, Thumb-operated throttle	1	
36	525 43 75-01	WIRING ASSY	FX	1	34
37	581 92 79-02	WIRING ASSY	FXT	1	35
38	537 04 83-01	CLUTCH SPRING		1	
39	502 28 21-01	WASHER		1	

R9 545 FX, 545 FXT
ACCESSORIES



Ref	Part No	Description	Remark	QTY	KIT
1	577 07 19-02	THROTTLE HANDLE ASSY	Index finger-operated throttle	1	
2	504 20 98-04	THROTTLE HANDLE ASSY	Index finger-operated throttle	1	1
3	537 18 07-11	HANDLE HALF		1	1, 2
4	537 18 08-11	HANDLE HALF		1	1, 2
5	506 49 77-01	THROTTLE CONTROL		1	1, 2
6	537 16 07-01	STARTER THROTTLE LOC		1	1, 2
7	537 17 42-01	SPRING THROTTLE TRIG		1	1, 2
8	537 17 43-01	SPRING		1	1, 2
9	503 21 66-74	SCREW IH SCT		2	1, 2
10	525 41 98-02	WIRING ASSY		1	1, 10
11	503 21 66-16	SCREW IH SCT		1	
12	537 41 90-01	SWITCH		1	
13	503 20 07-82	SCREW IH SCFM		1	
14	503 22 10-13	HEXAGON NUT		1	
15	505 43 33-03	HANDLEBAR		1	

Illustrated Parts List - IPL Update



Product Name(s)

545FX

Description of change

New length of fuel hose. 38 mm instead of 39 mm.

Comments

Backward compatible.

Introduced from

Serial number / Date	Remark
2016-05	Fuel hose

IPL updates

Page title	Ref. no	New part no	Name	Excl. part no.	Remark
Carburetor & Air filter	14	581 75 61-43	Fuel hose	581 75 61-40	