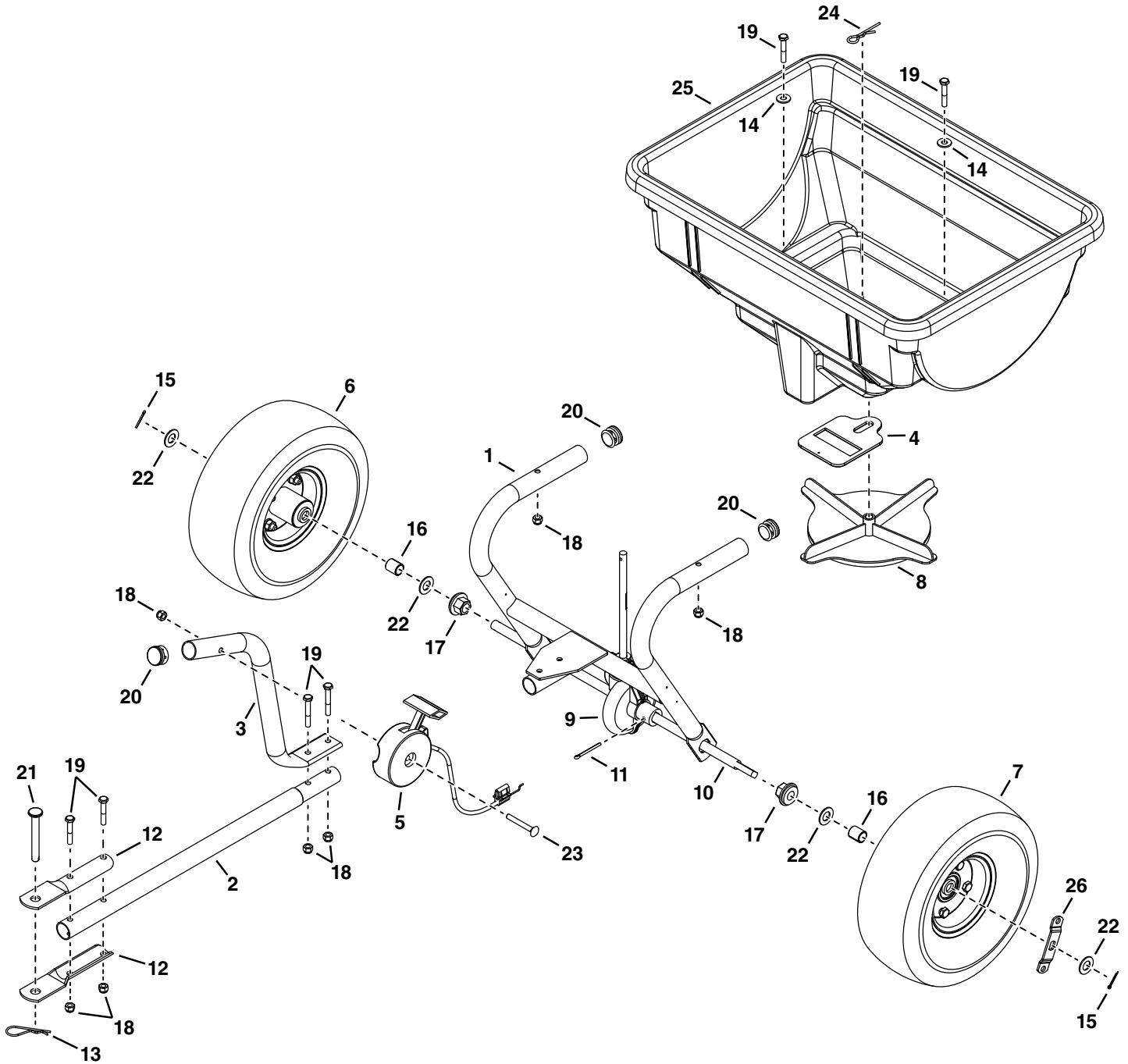


# 589 40 93-01



REF.	PART NO.	QTY.	DESCRIPTION	REF.	PART NO.	QTY.	DESCRIPTION
1	589 43 89-01	1	Frame Assembly	15	580 74 50-01	2	Cotter Pin, 3/32"
2	589 43 87-01	1	Hitch Tube	16	589 43 93-01	2	Spacer
3	589 43 88-01	1	Control Tube	17	531 00 76-58	2	Flange Bearing
4	531 00 76-59	1	Flow Slide	18	522 75 44-01	7	Nylock Nut, 1/4"
5	589 43 92-01	1	Control Cable	19	577 15 84-01	6	Hex Bolt, 1/4" x 1-3/4"
6	581 83 72-01	1	Wheel	20	577 15 93-01	3	Tube Plug
7	581 83 73-01	1	Drive Wheel (includes part #26)	21	531 00 81-18	1	Hitch Pin
8	531 00 76-91	1	Impeller	22	501 33 45-01	4	Washer, .531" x 1" x .059"
9	531 00 76-91	1	Gearbox Assembly	23	581 83 71-01	1	Carriage Bolt, 1/4" x 2"
10	589 43 90-01	1	Axle, 1/2"	24	531 00 76-93	1	Hairpin, Agitator
11	581 83 75-01	1	Cotter Pin, 9/64" x 1-1/2"	25	531 00 76-74	1	Hopper
12	531 00 81-41	2	Hitch Bracket	26	531 00 76-89	1	Drive Wheel Bracket
13	522 75 20-01	1	Hair Cotter Pin, 3/32"		45334	1	Owner's Manual
14	522 83 59-01	2	Washer, 1/4"				