

**ILLUSTRATED PARTS LIST**

**MODEL NUMBER ST 224**

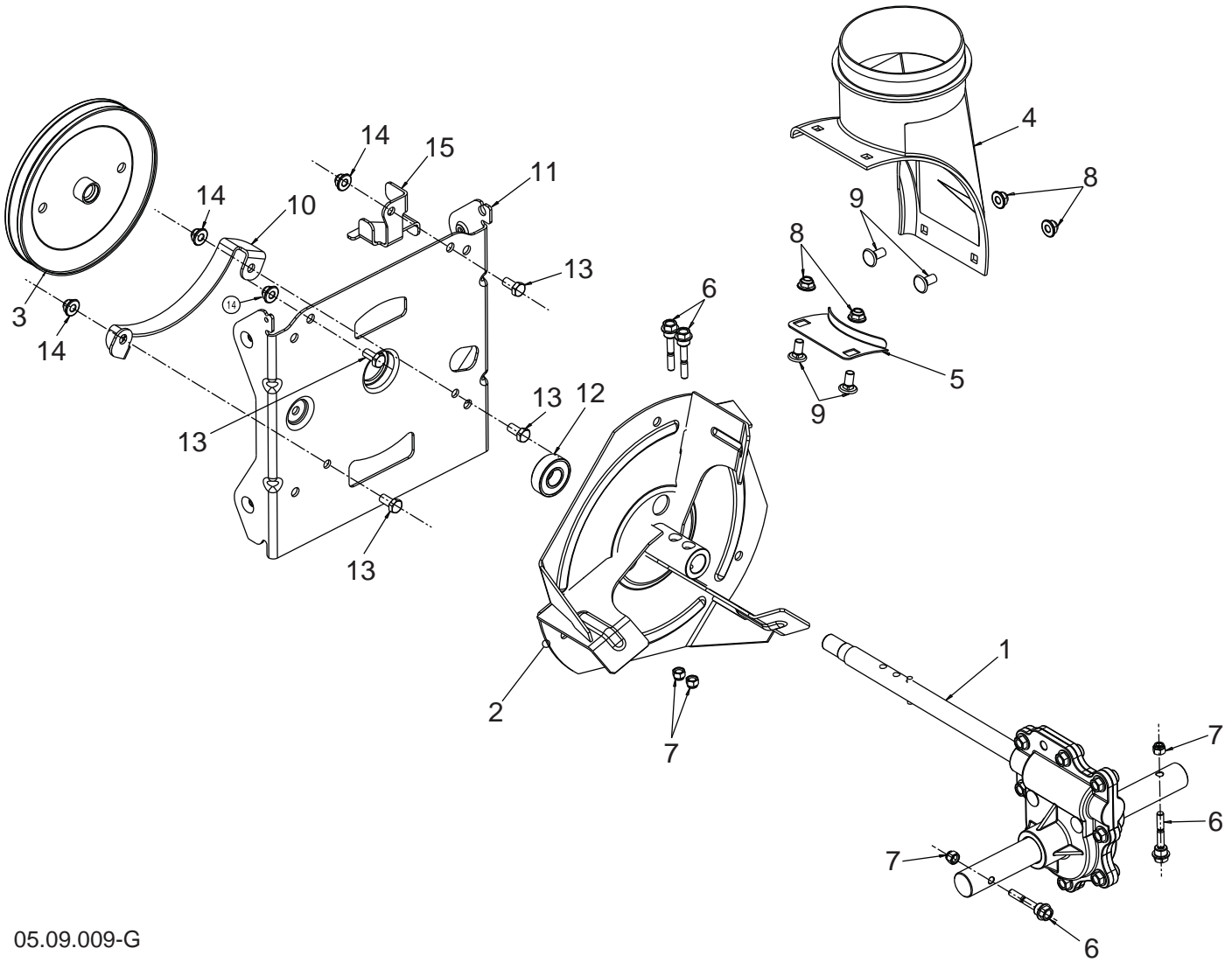
**PRODUCT NUMBER 961 91 00-87**

**MFG. ID. NUMBER 96191008701**

# REPAIR PARTS

# AUGER HOUSING / IMPELLER ASSEMBLY

SNOW THROWER - MODEL NO. **ST 224** (96191008701), PRODUCT NO. 961 91 00-87



05.09.009-G

**NOTE:** All component dimensions given in U.S. inches. 1 inch = 25.4 mm  
**IMPORTANT:** Use only Original Equipment Manufacturer (O.E.M.) replacement parts.  
Failure to do so could be hazardous, damage your snow thrower and void your warranty.

**REPAIR PARTS****AUGER HOUSING / IMPELLER ASSEMBLY****SNOW THROWER - MODEL NO. ST 224 (96191008701), PRODUCT NO. 961 91 00-87**

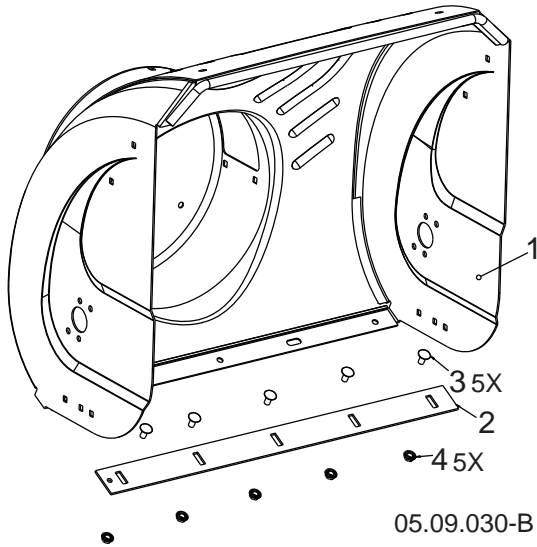
<b>KEY NO.</b>	<b>PART NO.</b>	<b>DESCRIPTION</b>
1	586 71 48-01	GEARBOX AUGER
2	586 60 72-02	IMPELLER STEEL
3	587 40 24-01	PULLEY IMPELLER – SCREW ON
4	585 05 69-01	CHUTE DISCHARGE BASE
5	532 18 40-95	BRACKET CORNER DISCHARGE BASE
6	588 07 75-01	BOLT SHEAR 1/4-20
7	873 80 04-00	NUT NYLOCK 1/4-20
8	585 69 13-01	NUT FLANGE NYLOCK 5/16-18 BLK
9	585 69 12-01	BOLT CARRIAGE WAFER HEAD 5/16-18 X 5/8 BLK
10	581 63 20-02	BRACKET BELT KEEPER LOWER
11	581 59 25-02	BRACKET INTERFACE
12	532 19 87-91	BEARING BALL
13	532 16 31-83	SCREW HEX HEAD 5/16-18 X 5/8
14	532 42 79-42	NUT FLANGE NYLOCK 5/16-18
15	587 58 72-02	LOWER AUGER BELT GUIDE

**NOTE:** All component dimensions given in U.S. inches. 1 inch = 25.4 mm  
**IMPORTANT:** Use only Original Equipment Manufacturer (O.E.M.) replacement parts.  
Failure to do so could be hazardous, damage your snow thrower and void your warranty.

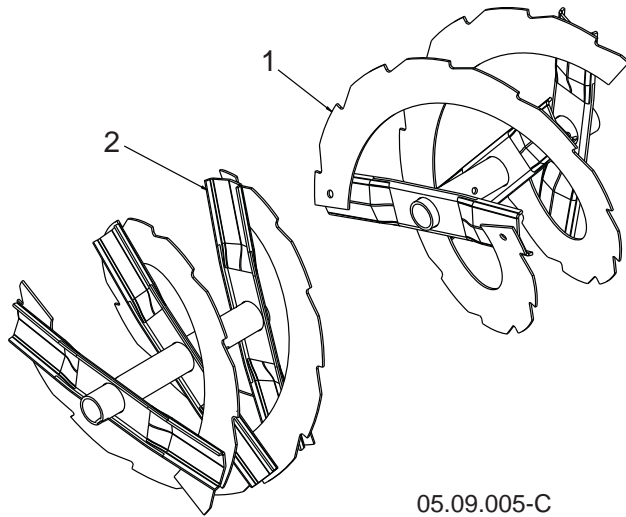
# REPAIR PARTS

# AUGER HOUSING / IMPELLER ASSEMBLY

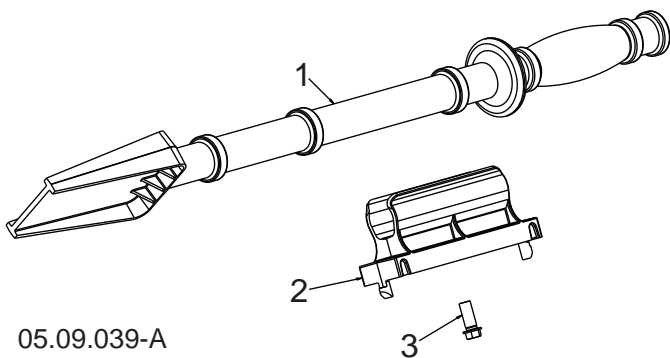
SNOW THROWER - MODEL NO. **ST 224** (96191008701), PRODUCT NO. 961 91 00-87



KEY NO.	PART NO.	DESCRIPTION
1	581 70 83-90	AUGER HOUSING
2	532 40 78-25	SCRAPER BAR
3	872 27 05-05	CARRIAGE BOLT 5/16-18 X .625 GR5
4	532 15 53-77	NUT 5/16-18



KEY NO.	PART NO.	DESCRIPTION
1	587 19 10-01	AUGER WELD RIB LH 24
2	585 54 42-01	AUGER WELD RIB RH 24



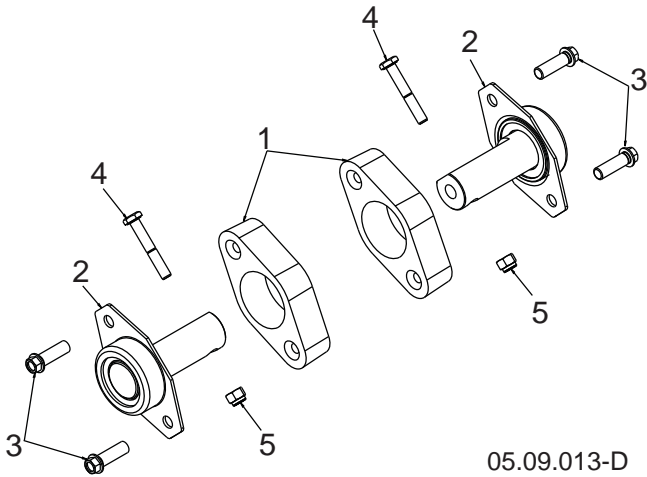
KEY NO.	PART NO.	DESCRIPTION
1	532 19 21-99	TOOL CLEANOUT
2	532 40 54-00	CLIP CLEANOUT TOOL
3	532 19 41-89	SCREW HEX WASHER 13-16 X 5/8

**NOTE:** All component dimensions given in U.S. inches. 1 inch = 25.4 mm  
**IMPORTANT:** Use only Original Equipment Manufacturer (O.E.M.) replacement parts.  
 Failure to do so could be hazardous, damage your snow thrower and void your warranty.

# REPAIR PARTS

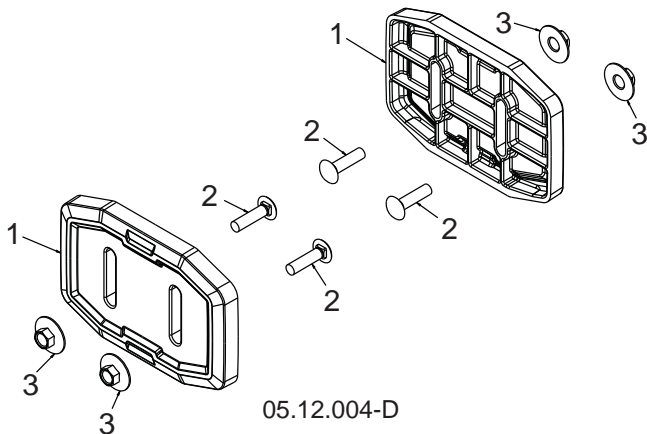
# AUGER HOUSING / IMPELLER ASSEMBLY

SNOW THROWER - MODEL NO. ST 224 (96191008701), PRODUCT NO. 961 91 00-87



KEY NO.	PART NO.	DESCRIPTION
1	532 18 81-70	PLASTIC RETAINER
2	532 42 77-62	AUGER BALL BEARING
3	584 29 94-01	SCREW HI-LO 5/16-14 X 1.00 - BLK
4	874 78 04-26	BOLT SHEAR HEX HD 1/4-20
5	873 80 04-00	NUT 1/4-20

05.09.013-D



KEY NO.	PART NO.	DESCRIPTION
1	583 83 88-01	SKID SHOW UHMW
2	585 80 29-01	BOLT CARR BLK 5/16-18 X 1.25
3	585 80 28-01	NUT HEX 5/16-18 LRG FLG

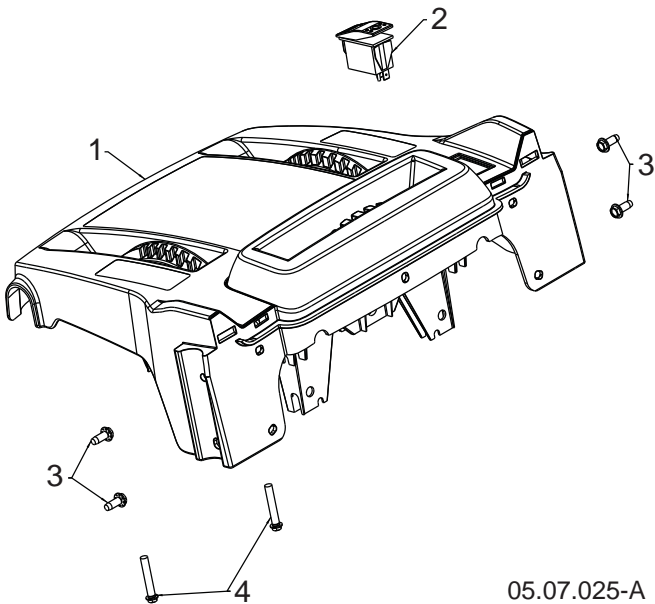
05.12.004-D

**NOTE:** All component dimensions given in U.S. inches. 1 inch = 25.4 mm  
**IMPORTANT:** Use only Original Equipment Manufacturer (O.E.M.) replacement parts. Failure to do so could be hazardous, damage your snow thrower and void your warranty.

# REPAIR PARTS

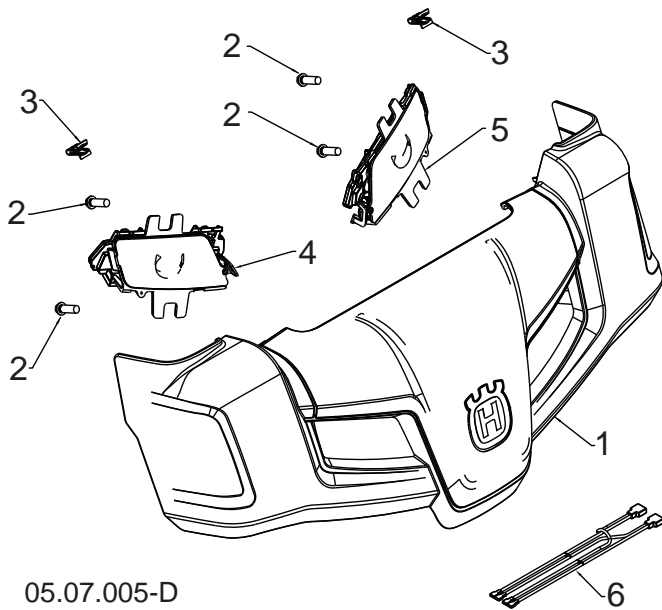
# CONTROL PANEL / DISCHARGE CHUTE

SNOW THROWER - MODEL NO. **ST 224** (96191008701), PRODUCT NO. 961 91 00-87



05.07.025-A

KEY NO.	PART NO.	DESCRIPTION
1	581 13 12-10	CONSOLE BASE MULTICONT GRAY-MS498
2	585 80 50-01	SWITCH GRIP HEATED BLACK
3	817 06 04-10	SCREW TA SEMI GIMLE 1/4-20 X .62
4	581 32 95-01	SCREW HEX WASHER HI-LO 13-16 X 1.50



05.07.005-D

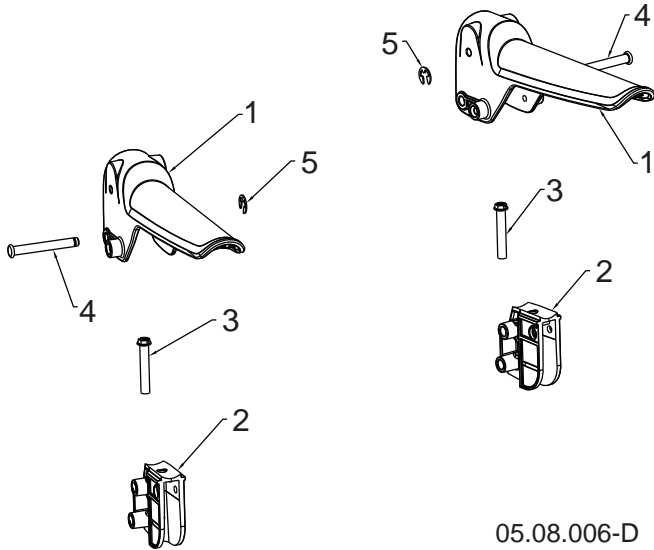
KEY NO.	PART NO.	DESCRIPTION
1	581 12 79-01	HUSQVARNA CONSOLE COVER ASM
2	532 19 41-89	SCREW HI-LO 13-16 X 5/8
3	581 92 87-01	CLIP PANEL
4	586 72 35-01	LIGHT ASM LED HUSQ RH
5	586 72 36-01	LIGHT ASM LED HUSQ LH
6	585 86 83-01	WIRE HARNESS LIGHT JUMPER

**NOTE:** All component dimensions given in U.S. inches. 1 inch = 25.4 mm  
**IMPORTANT:** Use only Original Equipment Manufacturer (O.E.M.) replacement parts. Failure to do so could be hazardous, damage your snow thrower and void your warranty.

# REPAIR PARTS

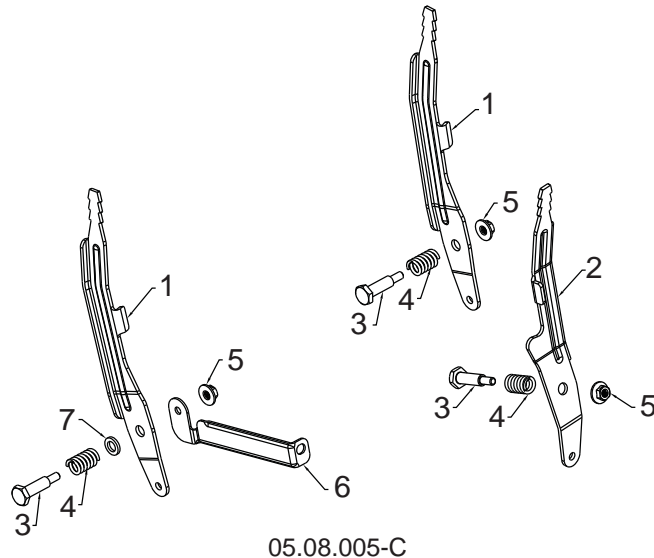
# CONTROL PANEL / DISCHARGE CHUTE

SNOW THROWER - MODEL NO. ST 224 (96191008701), PRODUCT NO. 961 91 00-87



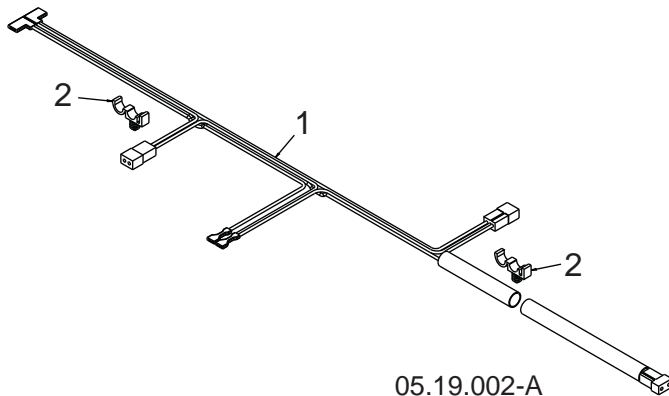
05.08.006-D

KEY NO.	PART NO.	DESCRIPTION
1	587 46 30-01	LEVER CONTROL DSST
2	581 20 81-01	LEVER PIVOT CONTROL ASM
3	585 69 07-01	SCREW HEX HD 10-24 X 1.50
4	532 43 17-62	PIN GROOVED
5	812 00 00-14	E-RING



05.08.005-C

KEY NO.	PART NO.	DESCRIPTION
1	581 12 39-02	LEVER CONTROL SPEED/DEFL
2	581 24 16-02	LEVER CONTROL CHUTE ROT
3	581 32 97-01	BOLT SHOULDER 1/4-20
4	581 32 96-01	SPRING COMPRESSION
5	586 66 89-01	NUT FL LOCK 1/4-20
6	584 46 84-02	BRACE SUPPORT SPEED
7	587 03 13-01	WASHER .625 X .375 X .094 NYLON 6/6



05.19.002-A

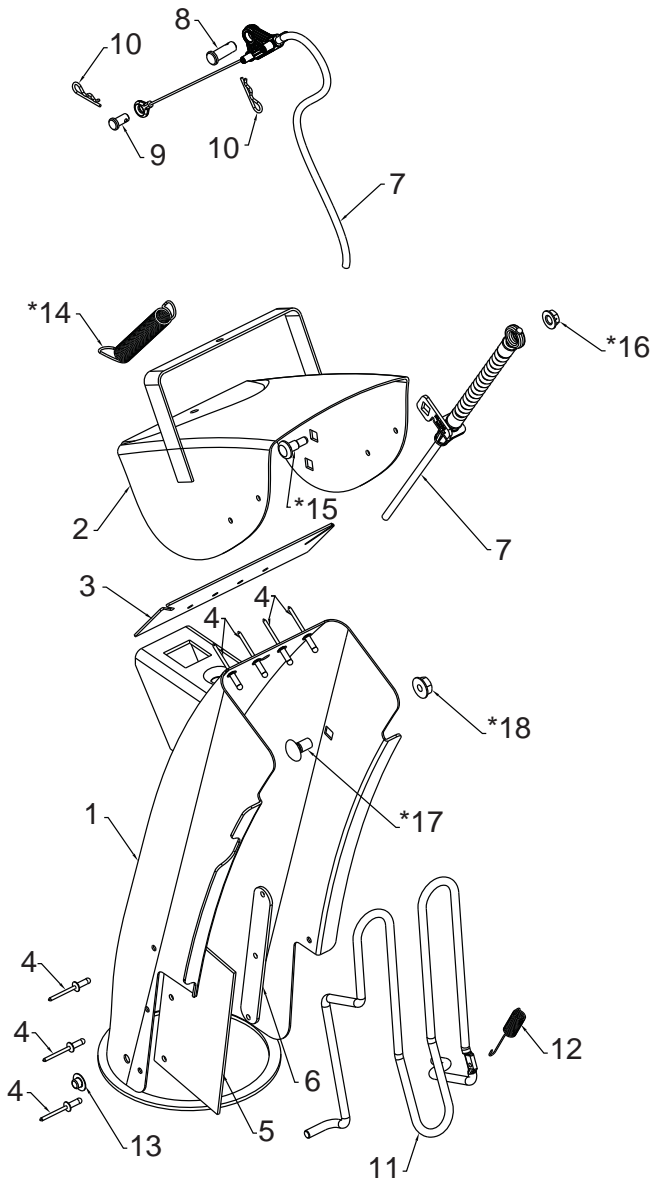
KEY NO.	PART NO.	DESCRIPTION
1	587 53 57-01	HARNES WIRE LIGHTS & GRIPS
2	532 14 50-06	WIRE RETAINER

**NOTE:** All component dimensions given in U.S. inches. 1 inch = 25.4 mm  
**IMPORTANT:** Use only Original Equipment Manufacturer (O.E.M.) replacement parts.  
 Failure to do so could be hazardous, damage your snow thrower and void your warranty.

# REPAIR PARTS

# CONTROL PANEL / DISCHARGE CHUTE

SNOW THROWER - MODEL NO. ST 224 (96191008701), PRODUCT NO. 961 91 00-87



KEY NO.	PART NO.	DESCRIPTION
1	588 07 78-02	CHUTE WELDMENT ASSEMBLY (INCLUDES 1-6)
2	-----	DEFLECTOR WELDMENT
3	-----	DEFLECTOR SEAL
4	-----	POP RIVET
5	-----	CHUTE SNOW SHIELD
6	-----	SHIELD STRAP RETAINER
7	586 96 15-01	CABLE ASM DEFLECTOR - BOWDEN
8	581 32 94-01	PIN CLEVIS 5/16 X .875
9	585 80 83-01	PIN CLEVIS 1/4 X .312
10	532 42 33-03	HAIRPIN RETAINER
11	532 43 55-82	CHUTE GUARD
12	532 43 56-16	GUARD RETURN SPRING
13	532 05 93-49	PUSH NUT
*14	532 18 45-05	DEFLECTOR SPRING
*15	585 83 22-01	SHOULDER BOLT 1/4-20 X .375
*16	585 69 14-01	NUT 1/4-20
*17	585 83 20-01	CARRIAGE BOLT 3/8-16 X .625
*18	873 97 05-00	NUT 5/16-18

**NOTE:** ALL ITEMS MARKED WITH AN \* ARE PROVIDED IN THE BAG OF ITEMS SHIPPED LOOSE WITH THE PRODUCT

05.11.008-D

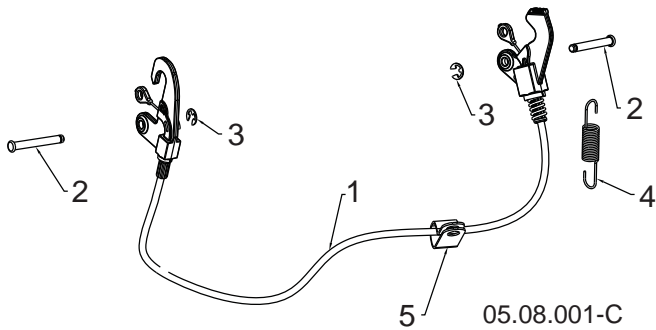
**NOTE:** All component dimensions given in U.S. inches. 1 inch = 25.4 mm  
**IMPORTANT:** Use only Original Equipment Manufacturer (O.E.M.) replacement parts. Failure to do so could be hazardous, damage your snow thrower and void your warranty.



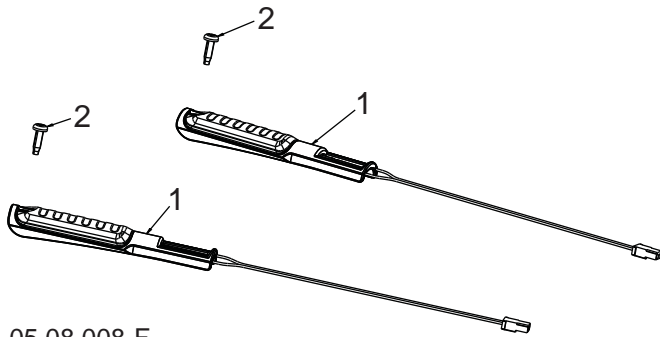
**REPAIR PARTS**

**CONTROL PANEL / DISCHARGE CHUTE**

**SNOW THROWER - MODEL NO. ST 224 (96191008701), PRODUCT NO. 961 91 00-87**



KEY NO.	PART NO.	DESCRIPTION
1	587 33 25-02	CABLE INTERLOCK
2	532 43 17-62	PIN GROOVED
3	812 00 00-14	E-RING
4	581 15 12-01	SPRING RETURN
5	532 19 79-91	CLIP CABLE BLACK



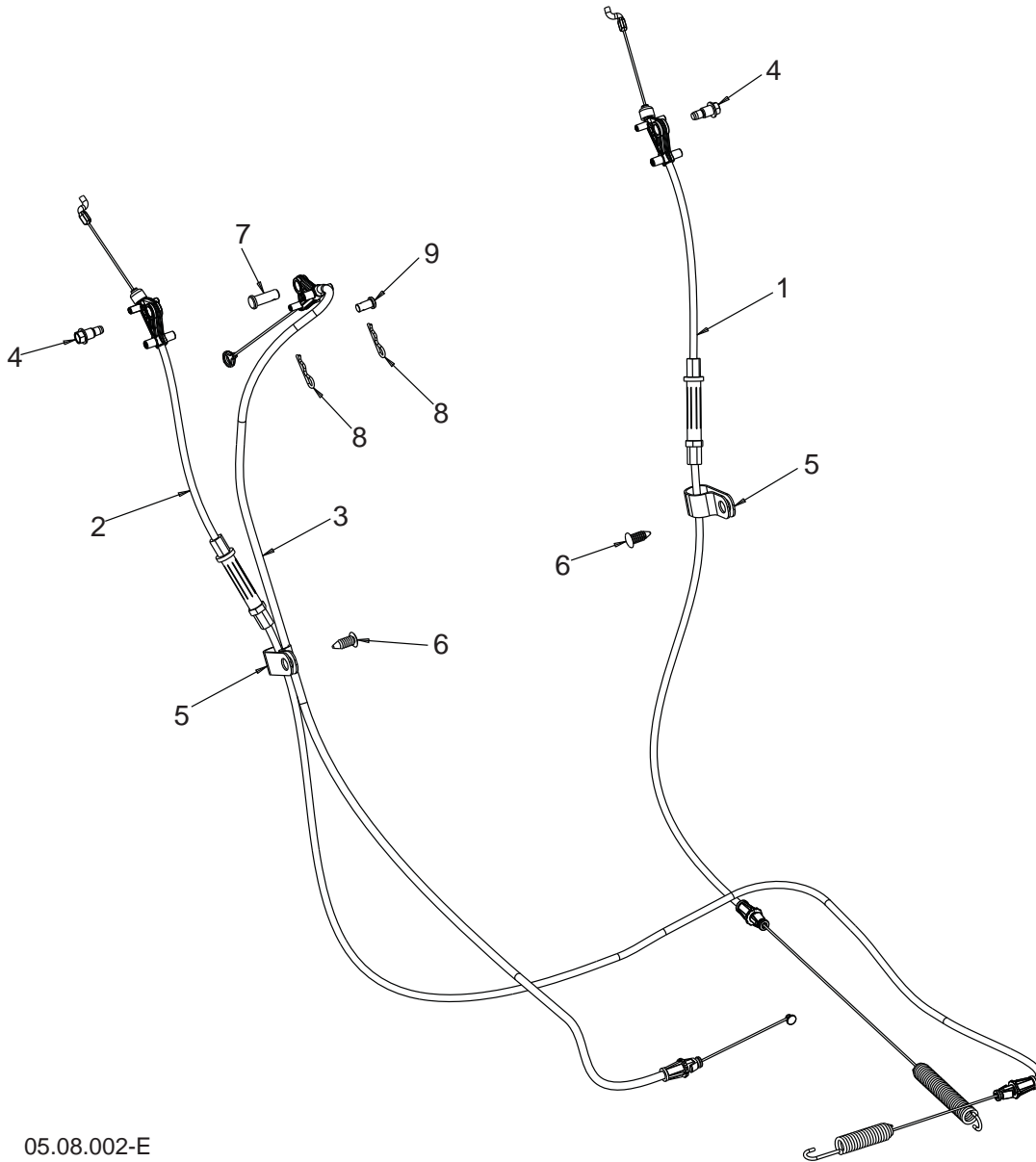
KEY NO.	PART NO.	DESCRIPTION
1	588 77 59-01	GRIP HANDLE HEATED
2	532 44 22-50	SCREW PAN HD TORX 1/4-20 X .75

**NOTE:** All component dimensions given in U.S. inches. 1 inch = 25.4 mm  
**IMPORTANT:** Use only Original Equipment Manufacturer (O.E.M.) replacement parts.  
 Failure to do so could be hazardous, damage your snow thrower and void your warranty.

# REPAIR PARTS

# CONTROL PANEL / DISCHARGE CHUTE

SNOW THROWER - MODEL NO. **ST 224** (96191008701), PRODUCT NO. 961 91 00-87



05.08.002-E

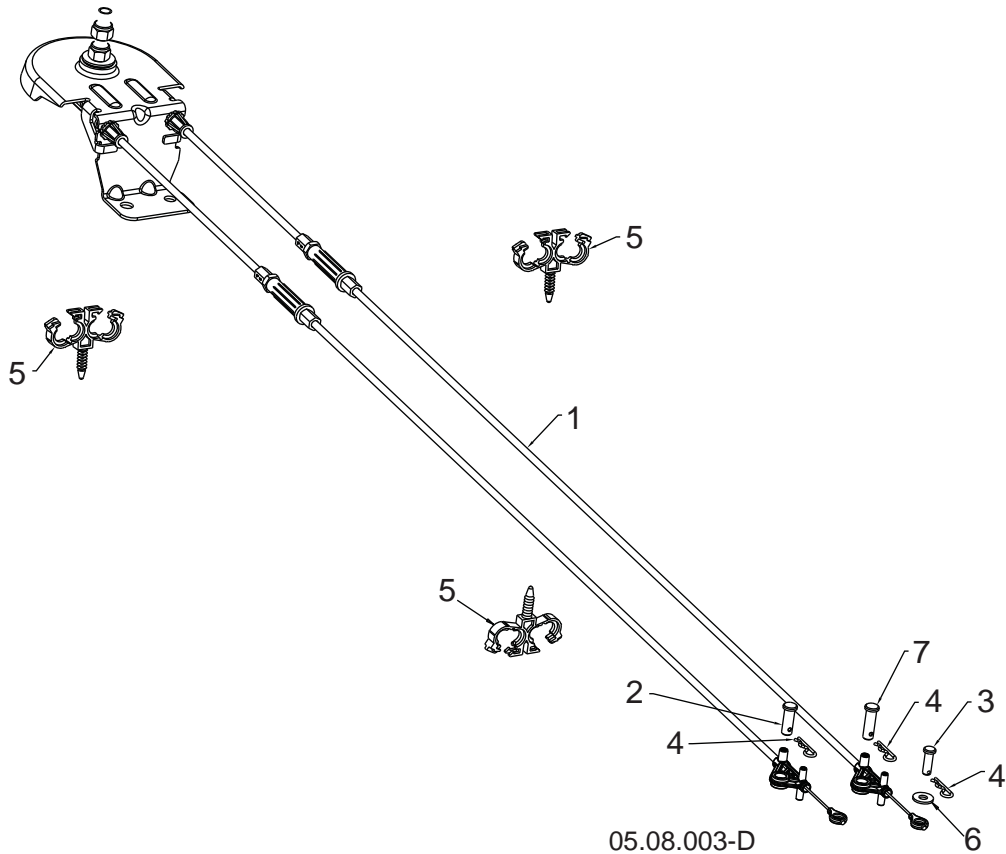
KEY NO.	PART NO.	DESCRIPTION
1	587 64 18-01	CABLE CONTROL DRIVE
2	587 42 87-01	CABLE CONTROL AUGER
3	588 12 23-01	CABLE CONTROL SPEED
4	581 72 61-01	BOLT SHOULDER 1/4
5	532 19 79-91	CLIP CABLE
6	532 42 81-24	FASTENER PUSH .250
7	581 32 94-01	PIN CLEVIS 5/16
8	532 42 33-03	HAIRPIN
9	585 80 83-01	PIN CLEVIS 1/4

**NOTE:** All component dimensions given in U.S. inches. 1 inch = 25.4 mm  
**IMPORTANT:** Use only Original Equipment Manufacturer (O.E.M.) replacement parts. Failure to do so could be hazardous, damage your snow thrower and void your warranty.

**REPAIR PARTS**

**CONTROL PANEL / DISCHARGE CHUTE**

**SNOW THROWER - MODEL NO. ST 224 (96191008701), PRODUCT NO. 961 91 00-87**



05.08.003-D

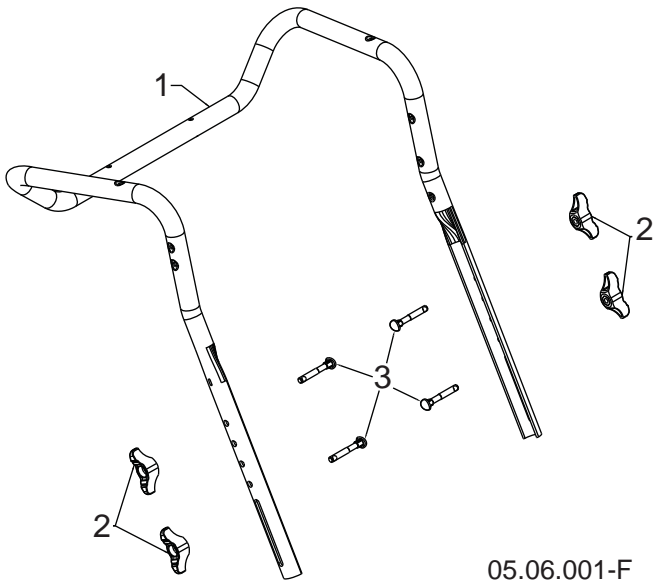
KEY NO.	PART NO.	DESCRIPTION
1	581 68 03-01	CABLE ROTATOR ASM
2	581 32 94-01	PIN CLEVIS 5/16 X 7/8
3	877 10 08-12	PIN CLEVIS 1/4 X 3/4
4	532 42 33-03	HAIRPIN SOFT ZINC
5	584 65 22-01	CLIP CONDUIT DOUBLE
6	586 68 21-01	WASHER
7	587 13 08-01	PIN CLEVIS 5/16 X 1

**NOTE:** All component dimensions given in U.S. inches. 1 inch = 25.4 mm  
**IMPORTANT:** Use only Original Equipment Manufacturer (O.E.M.) replacement parts. Failure to do so could be hazardous, damage your snow thrower and void your warranty.

# REPAIR PARTS

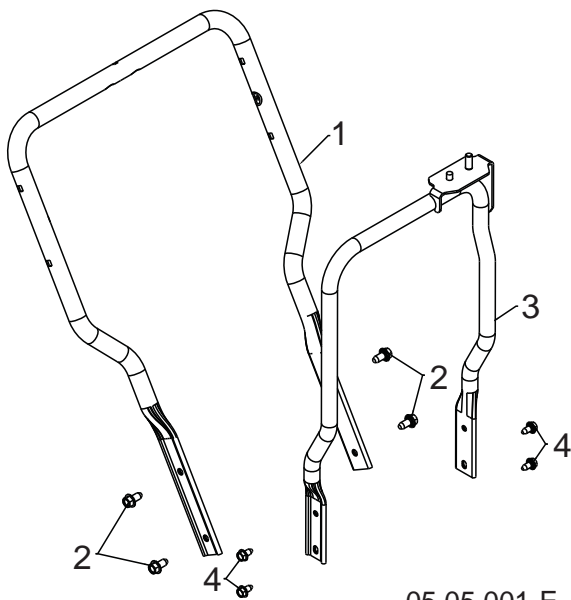
# HANDLES

SNOW THROWER - MODEL NO. **ST 224** (96191008701), PRODUCT NO. 961 91 00-87



05.06.001-F

KEY NO.	PART NO.	DESCRIPTION
1	581 12 36-03	UPPER HANDLE
2	532 19 19-38	HANDLE KNOB STD BLACK
3	588 05 99-01	SCREW 5/16-18 X 2.25 CONCAVE HEAD WITH PATCH



05.05.001-E

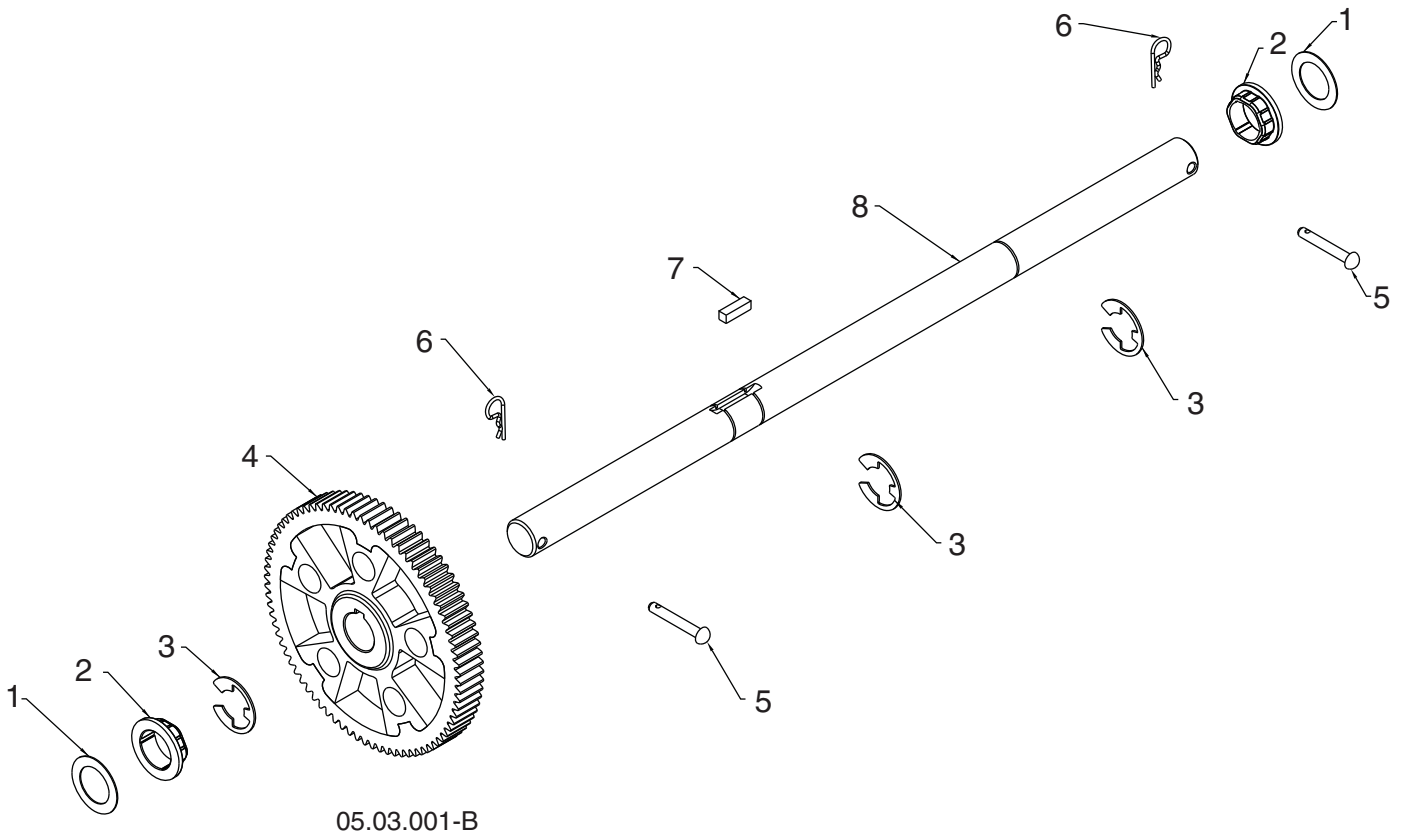
KEY NO.	PART NO.	DESCRIPTION
1	588 67 21-03	UPPER HANDLE
2	817 00 06-12	SCREW HEX WASH HD 3/8-16 X .75
3	581 62 20-02	CHUTE ROTATOR SUPPORT ASM
4	817 00 05-10	BOLT HEX 5/16-18

**NOTE:** All component dimensions given in U.S. inches. 1 inch = 25.4 mm  
**IMPORTANT:** Use only Original Equipment Manufacturer (O.E.M.) replacement parts.  
 Failure to do so could be hazardous, damage your snow thrower and void your warranty.

**REPAIR PARTS**

**DRIVE**

**SNOW THROWER - MODEL NO. ST 224 (96191008701), PRODUCT NO. 961 91 00-87**



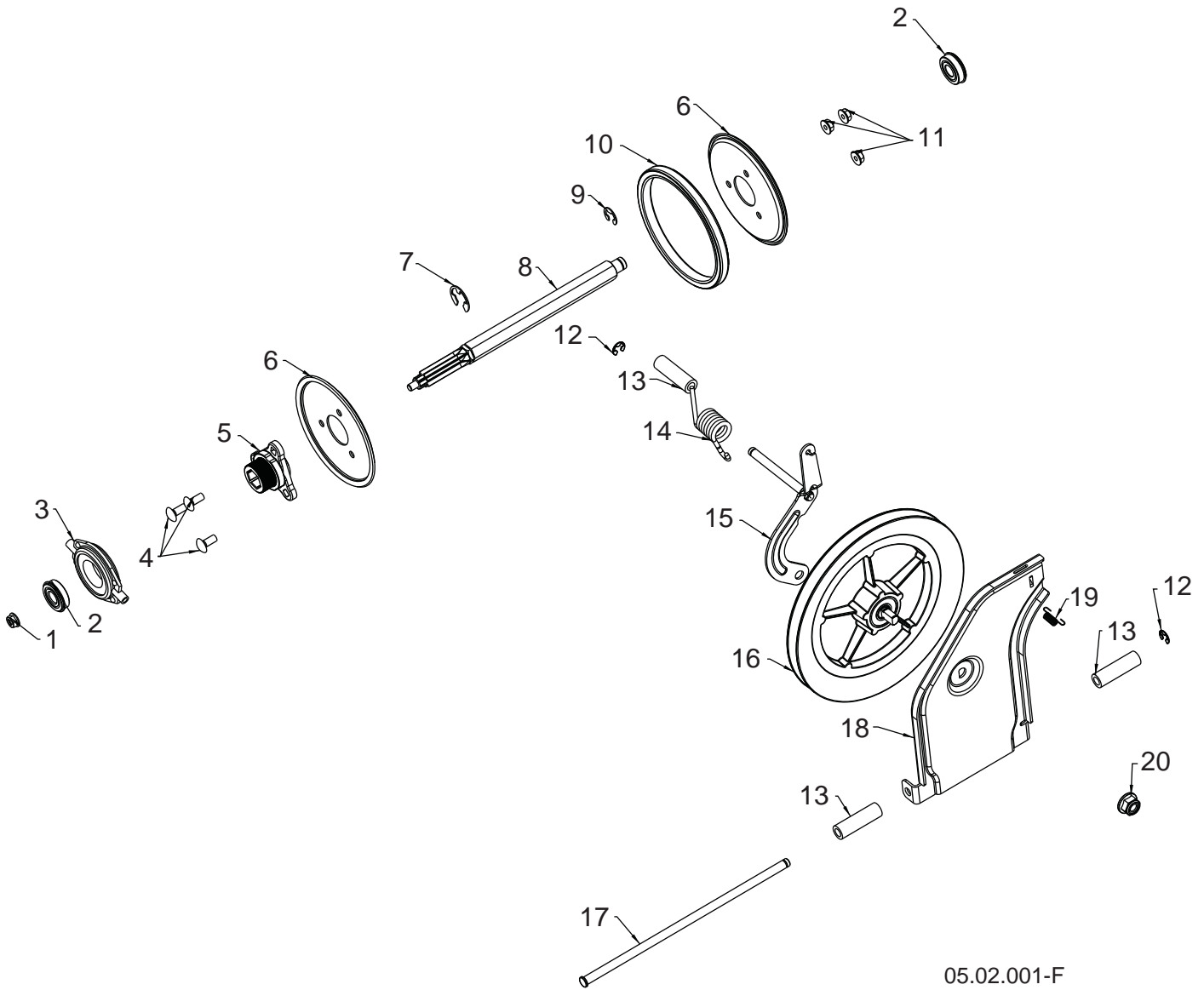
KEY NO.	PART NO.	DESCRIPTION
1	532 44 49-49	WASHER 1.00
2	587 97 89-01	HEX BUSHING 1 SHAFT
3	812 00 00-53	RETAINING RING
4	588 51 87-02	GEAR 80T DRIVEN
5	532 17 12-71	RIVET RD HD DRILLED 1/4 DIA
6	532 12 47-88	RETAINER SPRING
7	532 18 92-82	SQUARE KEY 1/4 X .875
8	581 12 20-01	AXLE SHAFT

**NOTE:** All component dimensions given in U.S. inches. 1 inch = 25.4 mm  
**IMPORTANT:** Use only Original Equipment Manufacturer (O.E.M.) replacement parts. Failure to do so could be hazardous, damage your snow thrower and void your warranty.

REPAIR PARTS

DRIVE

SNOW THROWER - MODEL NO. ST 224 (96191008701), PRODUCT NO. 961 91 00-87



05.02.001-F

**NOTE:** All component dimensions given in U.S. inches. 1 inch = 25.4 mm  
**IMPORTANT:** Use only Original Equipment Manufacturer (O.E.M.) replacement parts.  
Failure to do so could be hazardous, damage your snow thrower and void your warranty.

SNOW THROWER - MODEL NO. **ST 224** (96191008701), PRODUCT NO. 961 91 00-87

KEY NO.	PART NO.	DESCRIPTION
1	585 69 15-01	NUT HEX FLANGE LK 5/16-18
2	580 75 62-01	BEARING 9/16 I.D. 1622-2RSNR
3	532 17 53-44	TRUNNION BEARING ASM
4	872 11 05-06	BOLT CARRIAGE 5/16-18 X .75 GR 5
5	581 09 09-01	HUB RUBBER WHEEL
6	581 09 10-02	RUBBER WHEEL PLATE
7	812 00 00-22	E-RING
8	581 12 19-01	SHAFT 7 TOOTH REDUCTION
9	580 75 61-01	RETAINING RING 1622-2RSNR
10	581 09 11-01	RUBBER WHEEL RING
11	532 75 11-53	NUT HEX FLANGE LK 5/16-18
12	812 00 00-07	E-RING RETAINER 375
13	581 73 27-01	DRIVE SPACER
14	581 31 53-01	DRIVE TORSION SPRING
15	587 19 34-03	YOKE BRACKET ASSEMBLY
16	581 32 84-01	FRICTION PULLEY DISC COMBO
17	581 12 30-01	ROD TIP PLATE
18	587 70 34-02	FRICTION SWING PLATE PULL
19	532 19 38-85	LATCH SPRING
20	521 99 11-01	NUT HEX FLANGE LK 1/2-13

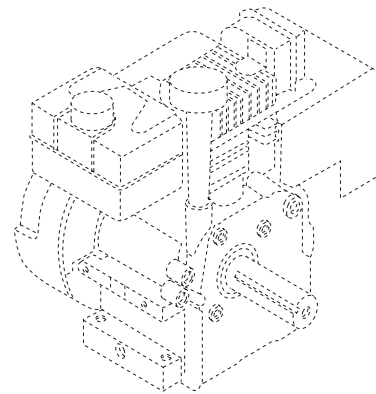
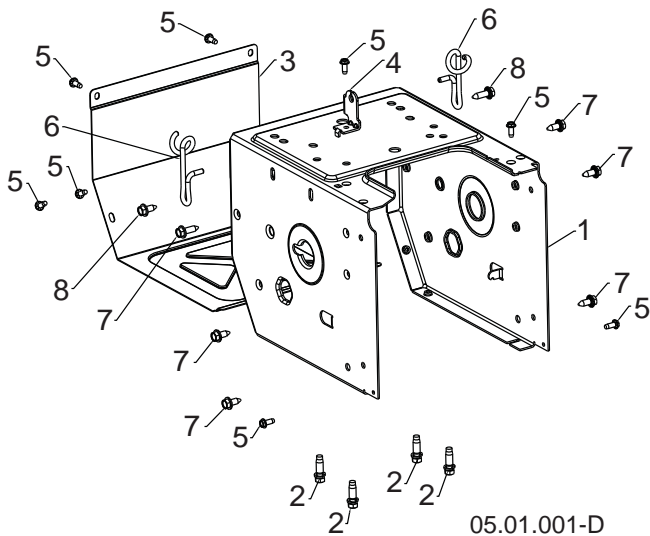
**NOTE:** All component dimensions given in U.S. inches. 1 inch = 25.4 mm

**IMPORTANT:** Use only Original Equipment Manufacturer (O.E.M.) replacement parts. Failure to do so could be hazardous, damage your snow thrower and void your warranty.

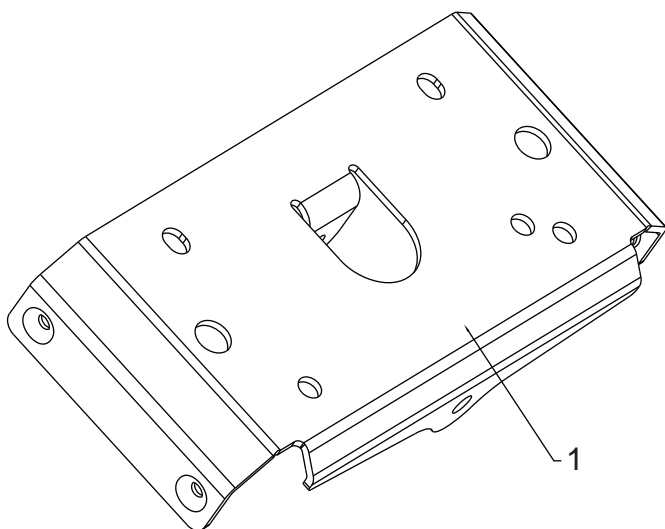
# REPAIR PARTS

# CHASSIS / ENGINE / PULLEYS

SNOW THROWER - MODEL NO. **ST 224** (96191008701), PRODUCT NO. 961 91 00-87



KEY NO.	PART NO.	DESCRIPTION
--	580 42 60-04	COMPLETE LCT ENGINE PW2HK18650178Y
1	580 83 94-05	FRAME
2	532 15 04-06	ENGINE BOLT 3/8-16 X 1.280 DOGPOINT
3	580 83 95-05	FRAME COVER
4	581 12 24-02	SHIFTER BRACKET
5	817 06 04-10	SCREW HEX WASHER 1/4-20 X 5/8
6	585 20 60-01	WIREFORM SUPPORT CABLE
7	532 42 88-67	BOLT HEXHD WASHER 5/16-18 X .75
8	585 21 75-01	BOLT HEXHD WASHER 5/16-18 X 1.00



KEY NO.	PART NO.	DESCRIPTION
1	583 94 05-02	SMALL MOUNTING PLATE

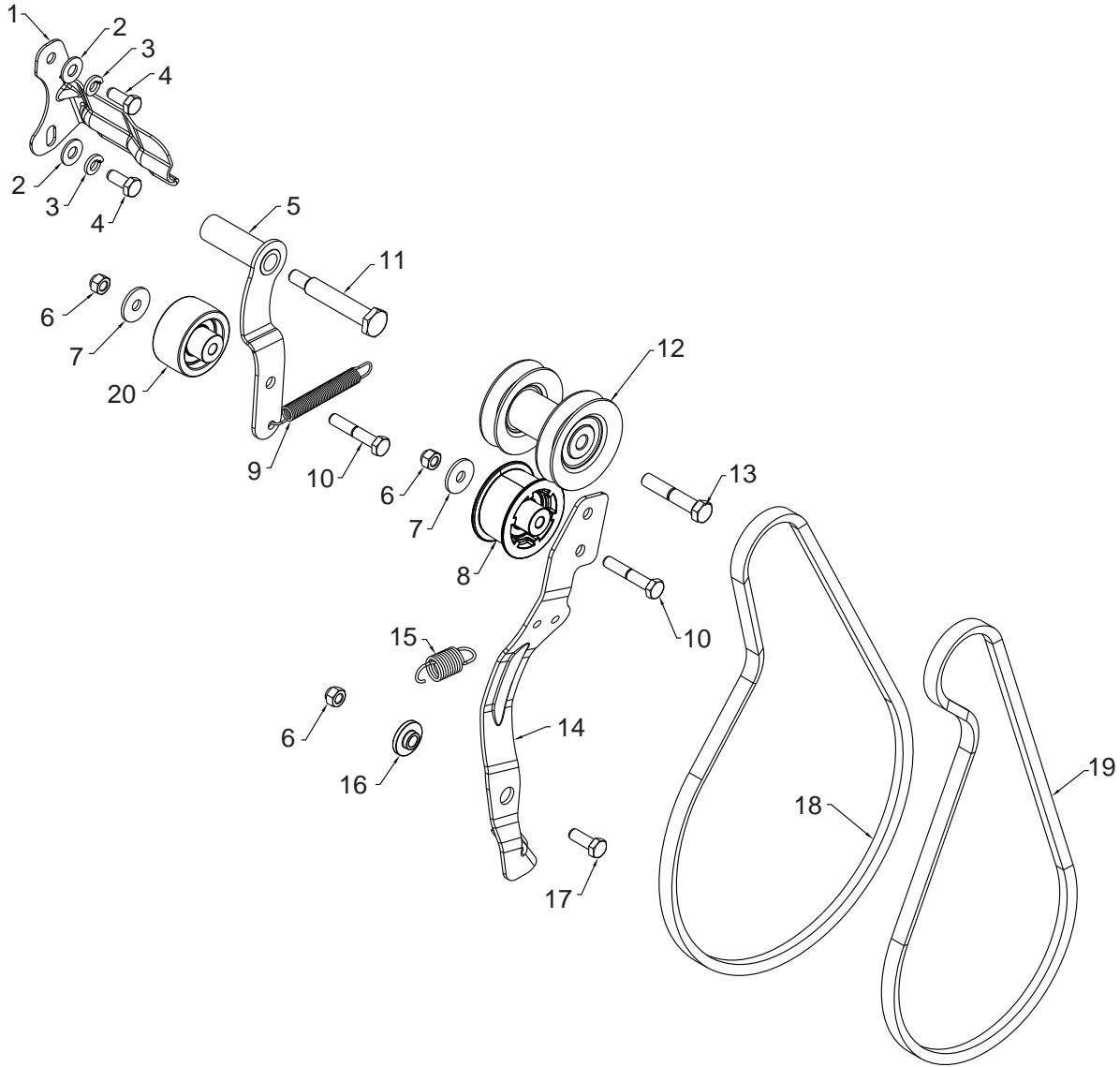
**NOTE:** All component dimensions given in U.S. inches. 1 inch = 25.4 mm  
**IMPORTANT:** Use only Original Equipment Manufacturer (O.E.M.) replacement parts. Failure to do so could be hazardous, damage your snow thrower and void your warranty.



# REPAIR PARTS

# CHASSIS / ENGINE / PULLEYS

SNOW THROWER - MODEL NO. ST 224 (96191008701), PRODUCT NO. 961 91 00-87



05.04.001-H

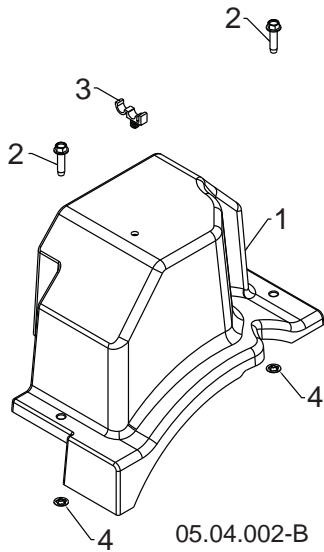
KEY NO.	PART NO.	DESCRIPTION	KEY NO.	PART NO.	DESCRIPTION
1	588 49 28-02	BELT KEEPER BRACKET	11	581 41 38-01	SHOULDER BOLT 5/16-24 X 2.15
2	819 11 12-16	WASHER 11/32 X 3/4 X 16 GA	12	587 89 37-03	PULLEY ASM ENGINE
3	810 04 05-00	LOCKWASHER 5/16 SPLIT HVY	13	532 17 96-17	BOLT HEXHD 3/8-24 X 2.00
4	874 61 05-12	CAPSCREW HEXHD 5/16-24 X .75 GR 5	14	580 83 11-04	ARM IDLER
5	581 33 82-03	IDLER ARM DRIVE WELDMENT	15	587 03 12-01	RETURN SPRING IDLER ARM
6	873 80 05-00	NUT NYLOCK 5/16-18	16	587 34 37-01	BUSHING IDLER PIVOT
7	532 05 92-89	WASHER FLAT .328 X 1.00 X .097	17	874 76 05-14	BOLT HEXHD 5/16-18 X .875
8	581 14 14-01	IDLER PULLEY 2.0 W/SPACER	18	584 21 61-02	DRIVE BELT 4L X 38.2
9	580 75 30-01	RETURN SPRING IDLER ARM DRIVE	19	581 83 24-01	IMPELLER BELT
10	874 76 05-28	BOLT HEXHD 5/16-18 X 1.75	20	586 88 02-01	IDLER PULLEY 2.0 FLANGELESS W/SPACER

**NOTE:** All component dimensions given in U.S. inches. 1 inch = 25.4 mm  
**IMPORTANT:** Use only Original Equipment Manufacturer (O.E.M.) replacement parts.  
 Failure to do so could be hazardous, damage your snow thrower and void your warranty.

# REPAIR PARTS

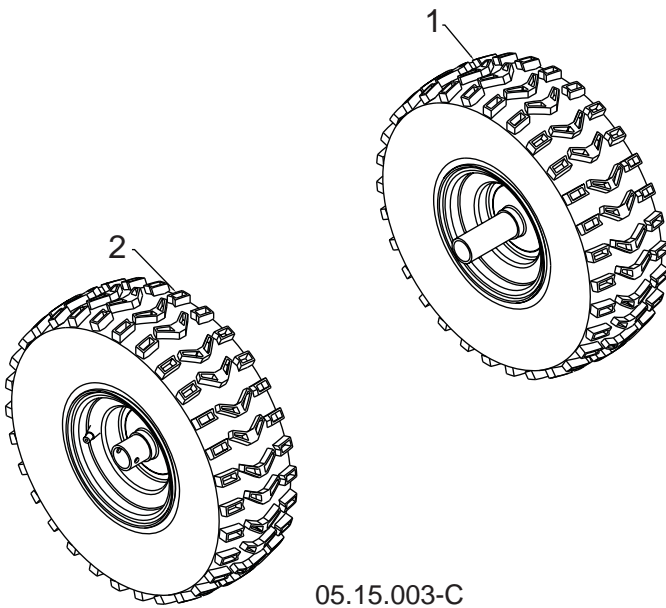
# CHASSIS / ENGINE / PULLEYS

SNOW THROWER - MODEL NO. **ST 224** (96191008701), PRODUCT NO. 961 91 00-87



KEY NO.	PART NO.	DESCRIPTION
1	587 10 54-01	BELT COVER BLACK ASSEMBLY (INCLUDES 2 & 4)
2	-----	BOLT HEX WSH THDRL 1/4-20 X 1
3	532 14 50-06	CABLE GUIDE
4	-----	PALNUT 1/4 IN

**NOTE:** All component dimensions given in U.S. inches. 1 inch = 25.4 mm  
**IMPORTANT:** Use only Original Equipment Manufacturer (O.E.M.) replacement parts. Failure to do so could be hazardous, damage your snow thrower and void your warranty.



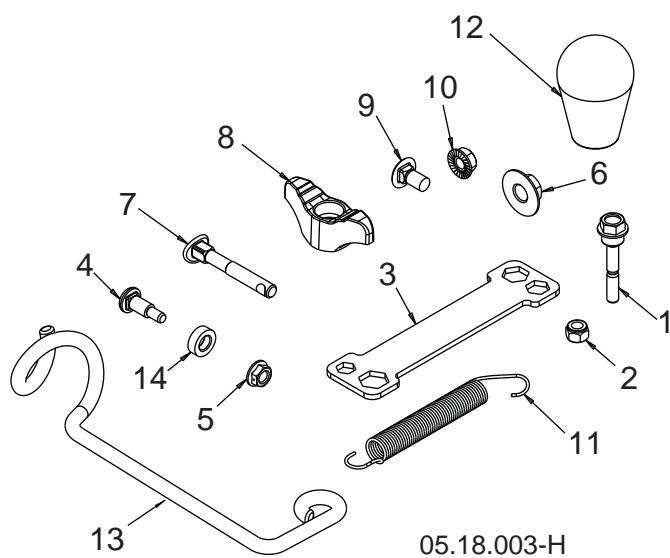
KEY NO.	PART NO.	DESCRIPTION
1	586 71 04-01	WHEEL 15X5.00 NPS LH 1.00 K478
2	586 71 03-01	WHEEL 15X5.00 NPS RH 1.00 K478

**NOTE:** All component dimensions given in U.S. inches. 1 inch = 25.4 mm  
**IMPORTANT:** Use only Original Equipment Manufacturer (O.E.M.) replacement parts.  
 Failure to do so could be hazardous, damage your snow thrower and void your warranty.

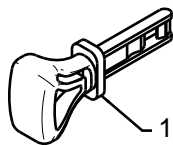
## REPAIR PARTS

## BAG OF PARTS

SNOW THROWER - MODEL NO. **ST 224** (96191008701), PRODUCT NO. 961 91 00-87



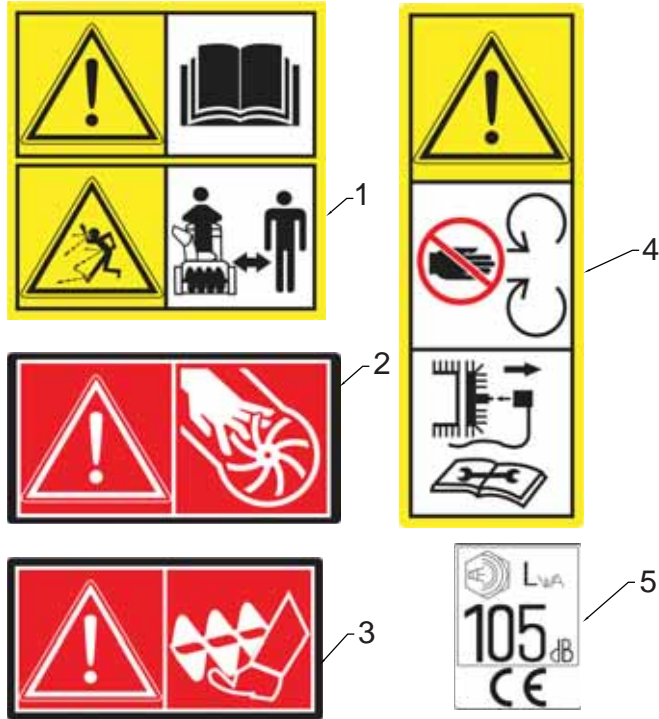
KEY NO.	PART NO.	DESCRIPTION
1	588 07 75-01	BOLT 1/4-20 X 1.81
2	873 80 04-00	NUT NYLOCK 1/4-20
3	532 42 91-12	WRENCH
4	585 83 22-01	BOLT SHOULDER
5	585 69 14-01	NUT HEX FL 1/4-20 CTR
6	585 69 10-01	NUT NYLOCK 3/8-16
7	588 05 99-01	BOLT 5/16-18 X 2.25 CONCAVE
8	532 19 19-38	KNOB 5/16-18 TWO-WING
9	585 83 20-01	BOLT 5/16-18 X .625
10	873 97 05-00	NUT SERR FL LOCK 5/16-18
11	532 18 45-05	SPRING DEFLECT CHUTE
12	581 69 75-01	KNOB SOFT TOUCH SLOTTED
13	581 89 73-01	SUPPORT ROTATION CABLE



01.14.009-B

KEY NO.	PART NO.	DESCRIPTION
1	532 44 30-59	SAFETY IGNITION KEY KIT

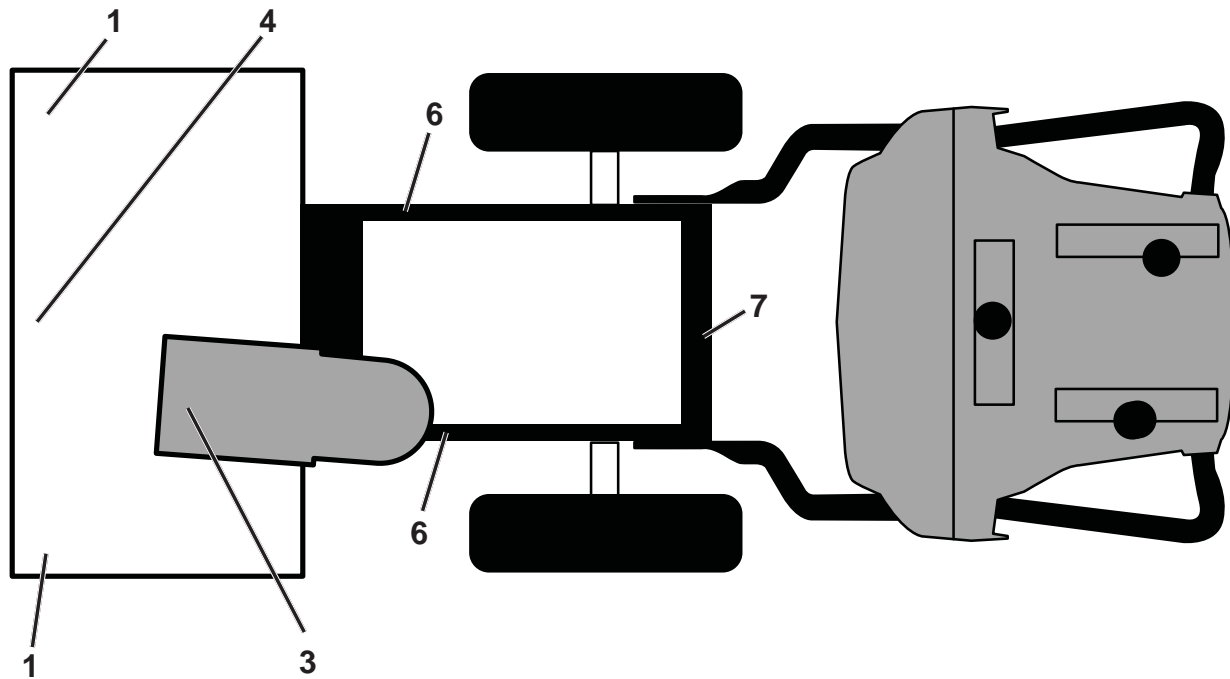
**NOTE:** All component dimensions given in U.S. inches. 1 inch = 25.4 mm  
**IMPORTANT:** Use only Original Equipment Manufacturer (O.E.M.) replacement parts.  
 Failure to do so could be hazardous, damage your snow thrower and void your warranty.



KEY NO.	PART NO.	DESCRIPTION
1	532 18 40-45	DECAL AUGER
2	532 19 96-82	DECAL CHUTE
3	532 19 96-83	DECAL AUGER SAFETY
4	532 18 40-28	DECAL BELT GUIDE
5	588 04 98-01	DECAL NOISE LEVEL

05.16.002-A

**NOTE:** All component dimensions given in U.S. inches. 1 inch = 25.4 mm  
**IMPORTANT:** Use only Original Equipment Manufacturer (O.E.M.) replacement parts. Failure to do so could be hazardous, damage your snow thrower and void your warranty.



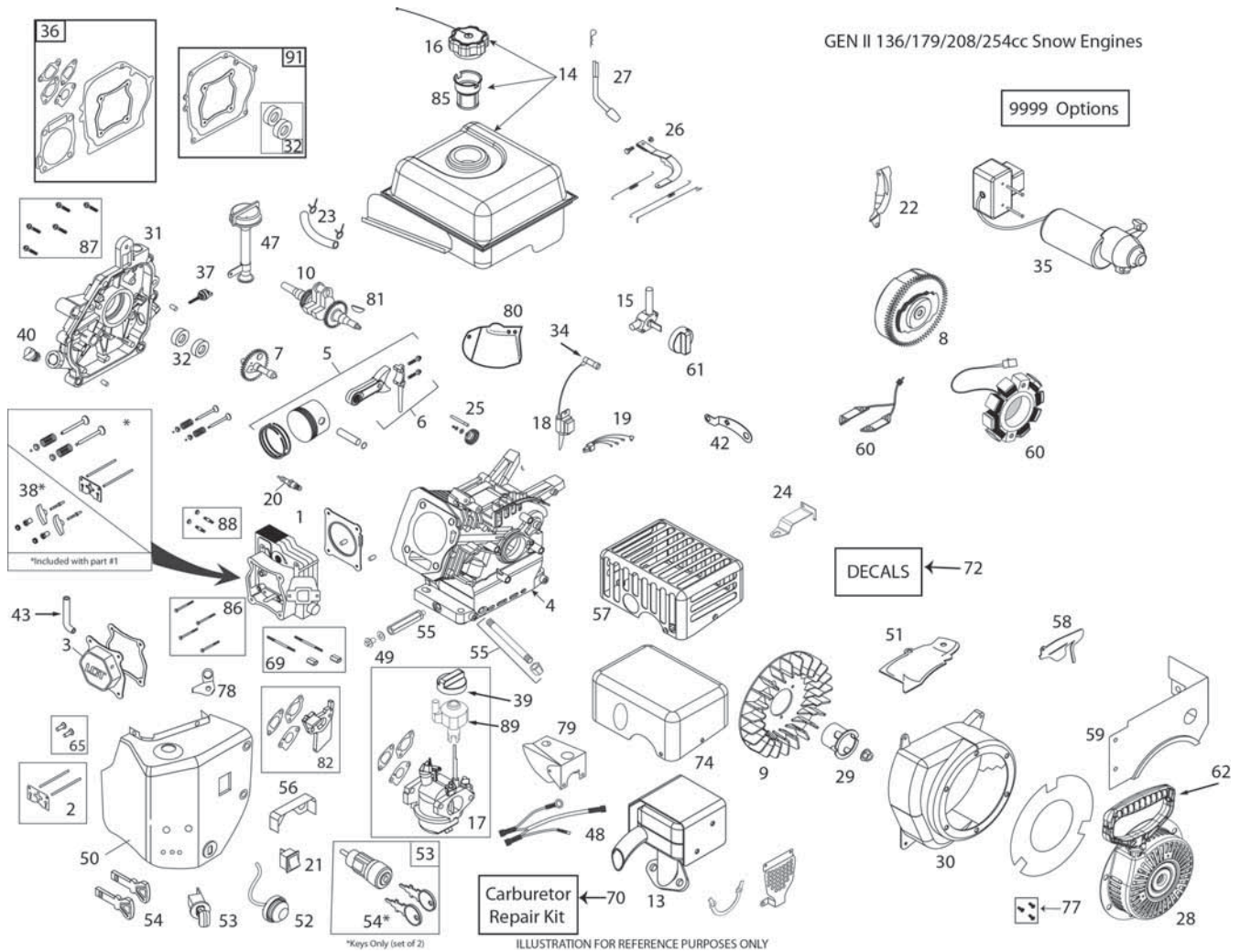
KEY NO.	PART NO.	DESCRIPTION
1	532 19 96-83	DECAL, DANGER
3	532 19 96-82	DECAL, DANGER, DEFLECTOR
4	532 18 40-45	DECAL, DANGER
6	532 18 40-28	DECAL, BELT GUARD
7	588 04 98-01	DECAL, NOISE LEVEL
--	115 68 60-20	OPERATOR'S MANUAL, EURO
--	115 68 60-10	OPERATOR'S MANUAL, SCAN
--	115 68 60-50	OPERATOR'S MANUAL, EBLOC
--	115 68 60-40	OPERATOR'S MANUAL, BALTIC

**NOTE:** All component dimensions given in U.S. inches. 1 inch = 25.4 mm  
**IMPORTANT:** Use only Original Equipment Manufacturer (O.E.M.) replacement parts. Failure to do so could be hazardous, damage your snow thrower and void your warranty.

# ENGINE, LCT

# COMPLETE ENGINE-580426004

GEN II 136/179/208/254cc Snow Engines



\*Keys Only (set of 2) ILLUSTRATION FOR REFERENCE PURPOSES ONLY

KEY PART NO. NO.	DESCRIPTION	KEY PART NO. NO.	DESCRIPTION
1	532 42 05-78 CYLINDER HEAD ASSEMBLY - 208CC (INCL. GASKET)	16	532 42 49-42 FUEL TANK CAP - BLACK CLICK STYLE (VENTED)
2	532 42 05-79 PUSH ROD & PLATE KIT (208CC) (INCL. VALVE COVER GSKT)	17	587 14 79-01 CARBURETOR (L10-1D) W-IDLE CONTROL (GEN II SNOW 208CC-W/GSKTS & SPACER)
3	532 42 05-80 VALVE COVER (208CC) (INCL. GASKET)	18	532 44 39-34 IGNITION COIL (CDI) (208/254CC) (STANDARD)
4	N/A	19	N/A
5	532 42 05-82 PISTON & ROD ASSEMBLY (208CC)	20	532 42 49-39 SPARK PLUG
6	532 42 05-83 CONNECTING ROD ASSEMBLY (208CC)	21	532 42 49-57 ON/OFF SWITCH - ROCKER
7	532 42 05-84 CAMSHAFT - MCR (208CC)	22	532 42 49-75 SHIELD - FLYWHEEL - ELECTRIC START - SNOW
8	532 44 38-92 FLYWHEEL - ELECTRIC START (6-CHARGING MAGNETS) (208CC)	23	532 43 21-44 FUEL HOSE KIT (1/4" ID X 318MM - SS SNOW)
9	532 42 05-86 COOLING FAN - FLYWHEEL (PLASTIC - 208CC)	24	532 42 92-59 SPEED CONTROL BRACKET (FIXED)
10	532 44 66-42 CRANKSHAFT (#18 KEYED 208CC SNOW)	25	532 42 96-46 GOVERNOR GEAR ASSEMBLY (136/208CC)
13	587 73 78-01 MUFFLER ASSEMBLY-GEN LL SNOW	26	581 76 87-01 GOVERNOR ARM & LINK KIT (208CC SNOW - 3600 FIXED RPM)
14	532 43 65-64 FUEL TANK (208CC-SNOW) (2.7L BLACK W/PLASTIC CAP - GEN II)	27	532 42 06-02 GOVERNOR ARM PADDLE
15	532 42 92-34 FUEL TANK ON/OFF VALVE - GEN II SNOW	28	532 43 69-67 RECOIL STARTER (ROUND STYLE-BLACK) 136/208CC GEN II SNOW

**ENGINE, LCT****COMPLETE ENGINE-580426004**

<b>KEY PART NO.</b>	<b>NO.</b>	<b>DESCRIPTION</b>	<b>KEY PART NO.</b>	<b>NO.</b>	<b>DESCRIPTION</b>
29	532 43 69-68	STARTER CUP (USE WITH ROUND STYLE STARTER) (208CC SNOW)	59	532 43 65-62	FUEL TANK SKIRT (208CC SNOW)
30	580 96 05-01	BLOWER HOUSING - BLACK ELECTRIC START W/WELDNUT (208CC)	60	532 44 38-93	CHARGING COIL (60-WATT AC) (208/254CC)
31	532 44 37-73	CRANKCASE COVER ASSY-HOFT (PRESSED IN) (INCL. GASKET)	61	532 43 27-52	FUEL CONTROL KNOB (GEN II SNOW - RED)
32	532 42 95-99	OIL SEAL KIT (2 PCS FOR 3/4-INCH CRANKSHAFT)	62	532 42 49-68	STARTER GRIP-SNOW
34	532 43 69-66	SPARK PLUG BOOT - WITH METAL SHIELD (SNOW)	65	581 37 28-01	TAPPET KIT (208/254CC) (SET OF 2)
35	532 43 66-71	230V ELECTRIC STARTER (208CC GEN LL)	69	532 42 49-51	CARBURETOR STUDS & COUPLING KIT-SNOW
36	532 42 96-01	ENGINE GASKET KIT (208CC)	70	580 35 36-01	CARBURETOR REPAIR KIT (136/208/254CC)
37	532 42 09-61	SMALL BLACK OIL DIPSTICK (PLASTIC)	72	532 43 56-47	STORMFORCE LABEL KIT-208CC SNOW
38	532 42 96-91	ROCKER ARM KIT (208CC) (INCL. GASKET)	74	587 82 11-01	MUFFLER HEAT SHIELD COVER EU (136/208/254)
39	532 42 92-24	CHOKE CONTROL KNOB (GEN II RED)	77	532 43 26-88	RECOIL BOLT KIT (INCL. (3) MTG BOLTS)
40	532 42 95-98	NON-REMOVABLE PLASTIC PLUG (136/208/254CC)	78	581 45 93-01	BREATHER TUBE BRACKET
42	N/A	N/A	79	585 77 37-01	CARBURETOR COVER (136/208/254CC SNOW)
43	580 35 34-01	BREATHER TUBE (136/208/254CC)	80	N/A	N/A
47	581 00 72-01	HIGH OIL-FILL TUBE/DIPSTICK	81	585 29 72-01	WOODRUFF FLYWHEEL KEYS (5-PACK) (5X6X18MM)
48	532 42 92-62	WIRE HARNESS (208CC SNOW)	82	585 02 05-03	CARBURETOR SPACER (208/254CC)
49	532 43 54-95	OIL DRAIN PLUG W/WASHER (136/208/254CC)	85	586 32 56-01	FUEL TANK STRAINER
50	532 43 65-61	HEATER BOX KIT (GEN LL 208CC SNOW)	86	586 32 73-01	CYLINDER HEAD BOLT KIT (4) (136-179-208-254CC)
51	532 43 71-19	SHIELD - CYLINDER (208CC SNOW)	87	586 32 69-01	CC COVER BOLT KIT (6) (179-208-254CC)
52	532 42 49-49	PRIMER BULB WITH HOSE-SNOW	88	586 32 68-01	MUFFLER MTG STUD KIT (2)
53	532 42 49-54	KEY SWITCH - SAFETY (PUSH/PULL) SNOW (INCL. KEYS)	89	587 12 48-01	SPEED CONTROL KNOB, GEN II, SNOW
54	532 44 30-59	KEY SET - RED (2) (SNOW)	91	587 52 57-01	CRANKCASE GASKET KIT
55	587 15 44-01	OIL DRAIN TUBE-SNOW (136/208CC)	9999	586 32 62-01	HIGH ALTITUDE JET (>5,000 FEET) (208CC L10-1 CARBURETOR)
56	532 42 92-60	CARBURETOR VAPOR SHIELD - 208CC SNOW	9999	579 80 64-01	BOLT KIT - BLWR HGS/HEATER BOX/TANK SKIRT
57	N/A	N/A			
58	532 42 49-60	SHIELD - GOVERNOR LINKAGE - 208CC SNOW			



