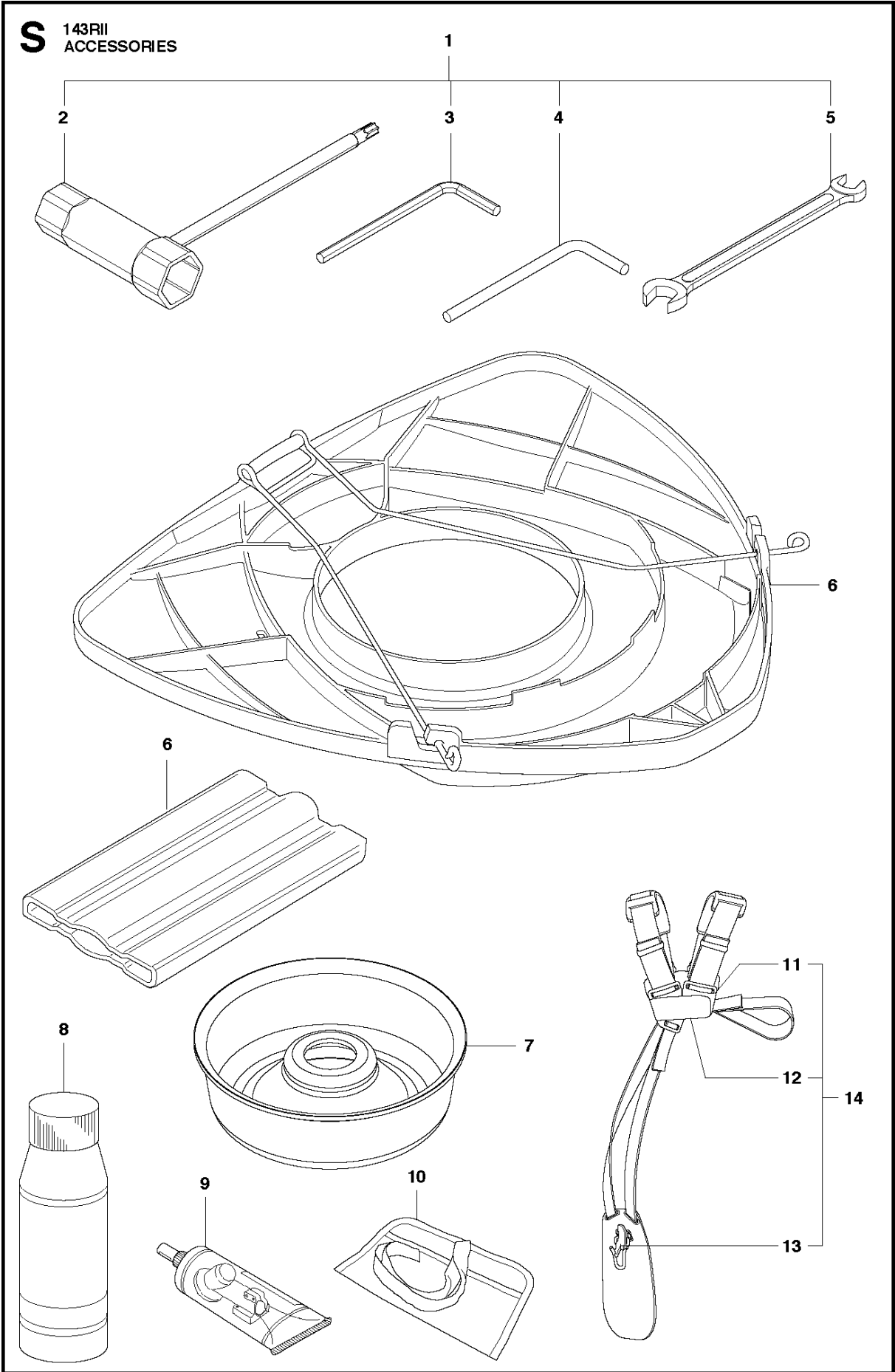




SPARE PARTS LIST

BRUSHCUTTERS/CLEARING SAWS

143 RII, 2014-09

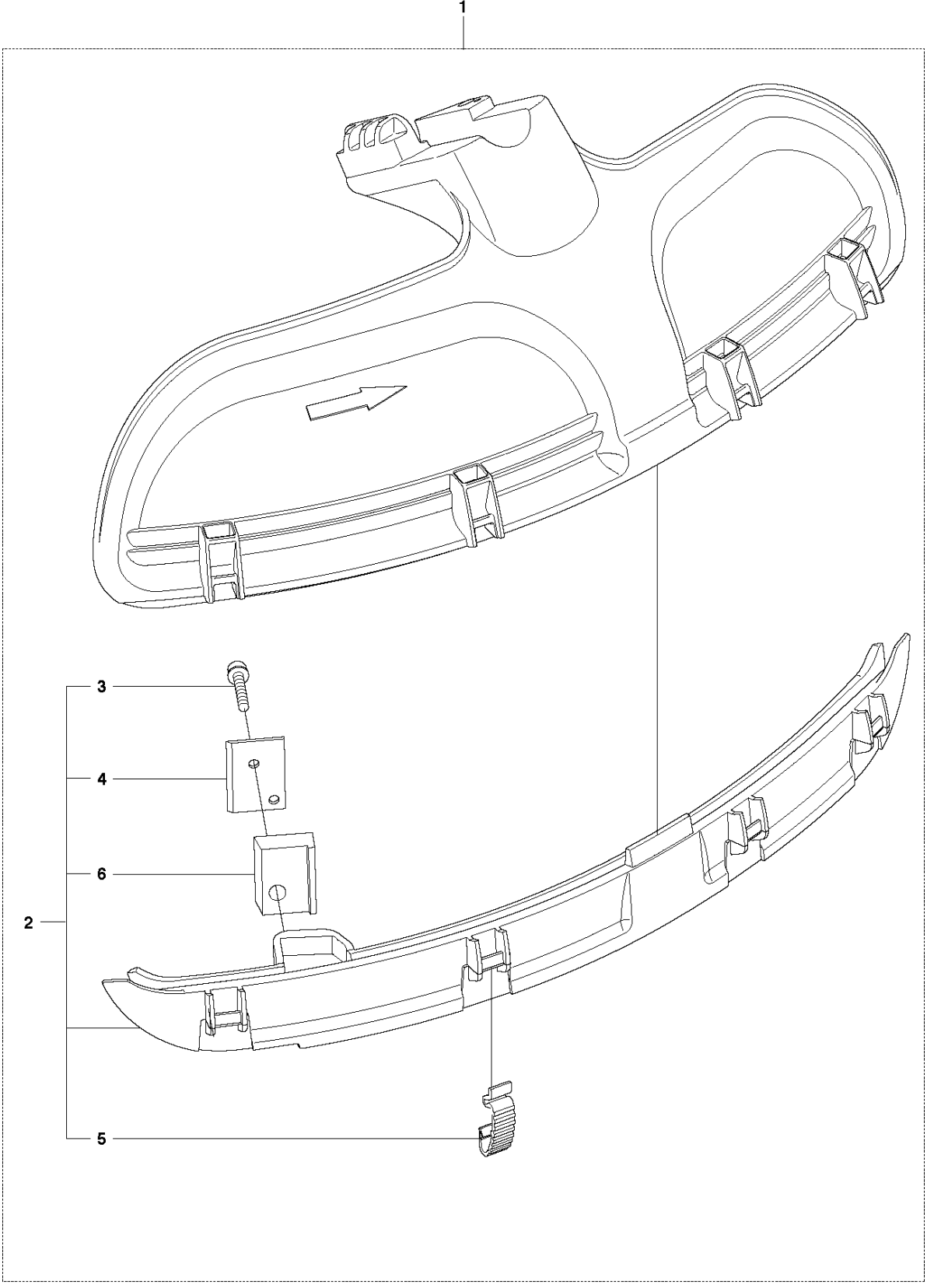


ACCESSORIES

143 RII, 2014-09

| Ref | Part No | Description | Remark | QTY | KIT |
|-----|--------------|-----------------|--------|-----|-----|
| 1 | 529 26 51-01 | TOOL SET | | 1 | |
| 2 | 529 26 55-01 | WRENCH | | 1 | 1 |
| 3 | 505 31 19-01 | WRENCH | | 1 | 1 |
| 4 | 505 31 20-01 | BAR | | 1 | 1 |
| 5 | 506 61 50-01 | SPANNER | | 1 | 1 |
| 6 | 544 35 91-01 | TRANSPORT GUARD | EU | 1 | |
| 6 | 537 12 99-04 | BAR GUARD | ASIA | 2 | |
| 7 | 528 81 81-01 | SUPPORT CUP | | 1 | |
| 8 | 531 00 92-48 | FILTER OIL | | 1 | |
| 9 | 503 97 64-01 | GREASE | | 1 | |
| 10 | 501 19 22-01 | TOOL CASING | | 1 | |
| 11 | 503 73 40-01 | FRONT PIECE | | 1 | 14 |
| 12 | 503 73 41-02 | FRONT PIECE | | 1 | 14 |
| 13 | 502 02 28-02 | WELT HOOK | | 1 | 14 |
| 14 | 537 21 63-01 | HARNESS | | 1 | |

T 143RII
ACCESSORIES

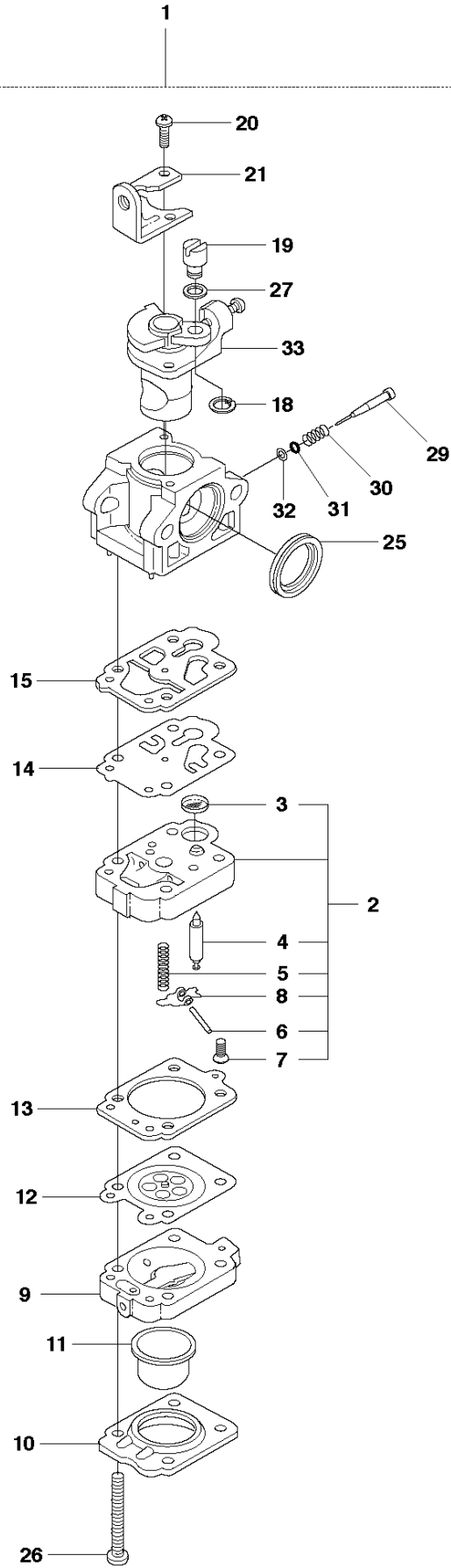


ACCESSORIES

143 RII, 2014-09

| Ref | Part No | Description | Remark | QTY KIT | |
|-----|--------------|--------------|--------|---------|-----|
| 1 | 537 33 16-03 | SPLASH GUARD | | 1 | |
| 2 | 537 39 63-03 | SPLASH GUARD | | 1 | 1 |
| 3 | 503 21 68-25 | SCREW IHSCFT | | 1 | 1,2 |
| 4 | 503 79 88-01 | BLADE | | 1 | 1,2 |
| 5 | 537 38 72-01 | SNAP | | 4 | 1,2 |
| 6 | 544 12 45-01 | RETAINER | | 1 | 1,2 |

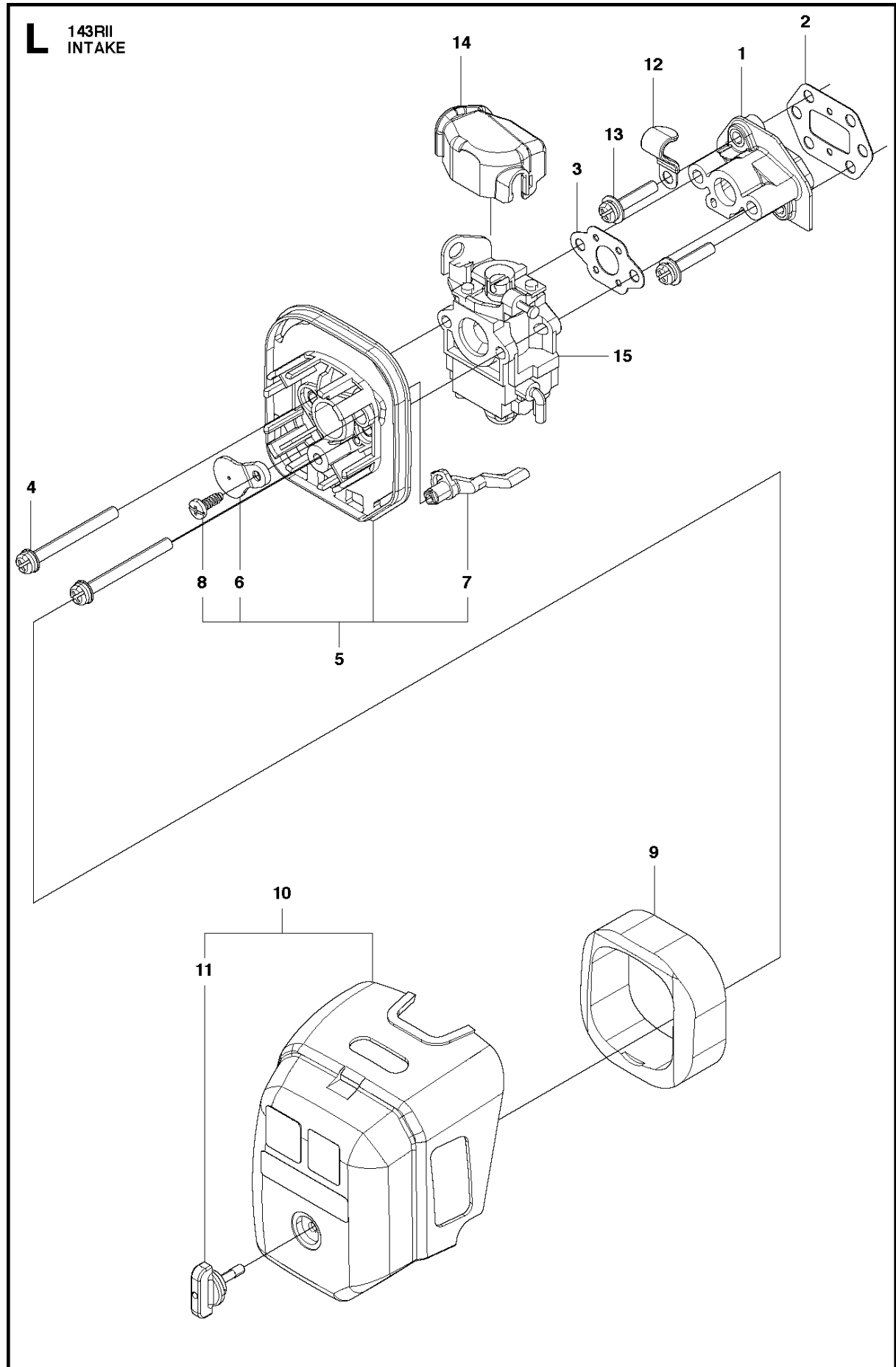
Q 143RII
CARBURETTOR



CARBURETOR

143 RII, 2014-09

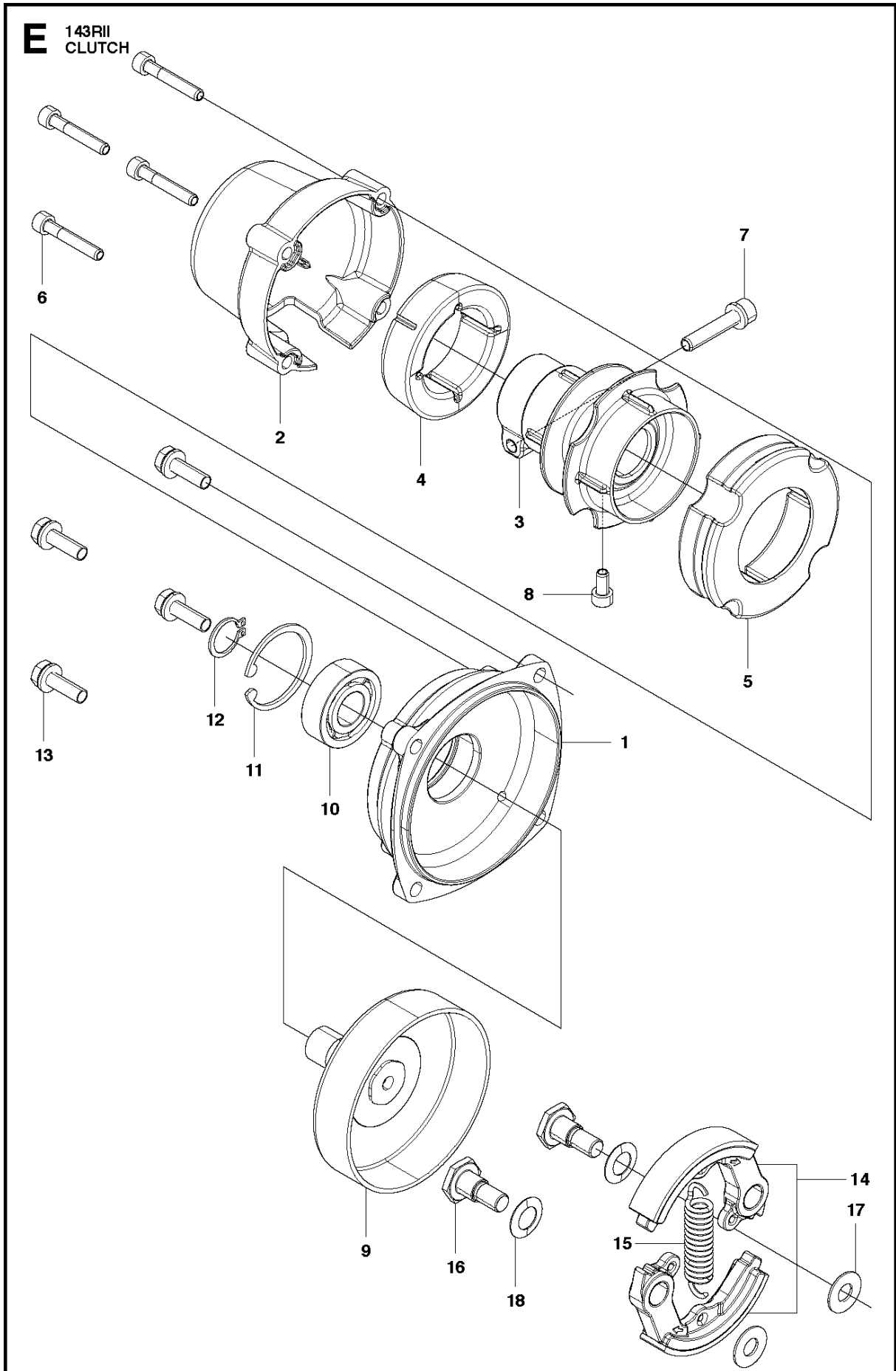
| Ref | Part No | Description | Remark | QTY KIT |
|-----|--------------|------------------|--------|---------|
| 1 | 586 93 14-01 | CARBURETTOR | ASIA | 1 |
| 2 | 502 23 84-01 | CARBURETTOR BODY | | 1 |
| 3 | 520 95 70-01 | SCREEN | | 1 |
| 4 | 521 08 54-01 | VALVE.INLET | | 1 |
| 5 | 505 30 60-01 | SPRING | | 1 |
| 6 | 520 97 74-01 | PIN | | 1 |
| 7 | 505 30 61-01 | SCREW | | 1 |
| 8 | 520 97 72-01 | LEVER | | 1 |
| 9 | 506 74 09-01 | BODY | | 1 |
| 10 | 506 74 10-01 | COVER | | 1 |
| 11 | 505 30 67-01 | PUMP | | 1 |
| 12 | 505 05 64-01 | DIAPHRAGM | | 1 |
| 13 | 506 74 08-01 | GASKET | | 1 |
| 14 | 506 68 98-01 | DIAPHRAGM | | 1 |
| 15 | 506 74 51-01 | GASKET | | 1 |
| 18 | 506 73 86-01 | RING | | 1 |
| 19 | 506 74 12-01 | SWIVEL | | 1 |
| 20 | 505 30 79-01 | SCREW | | 2 |
| 21 | 506 74 60-01 | BRACKET | | 1 |
| 25 | 505 30 84-01 | RING | | 1 |
| 26 | 506 74 11-01 | SCREW | | 4 |
| 27 | 506 74 61-01 | WASHER | | 1 |
| 29 | 513 28 58-01 | NEEDLE | ASIA | 1 |
| 30 | 513 30 15-01 | SPRING | ASIA | 1 |
| 31 | 513 43 78-01 | O-RING | ASIA | 1 |
| 32 | 513 43 77-01 | WASHER | ASIA | 1 |
| 33 | 515 36 81-01 | VALVE-A | | 1 |



CARBURETOR & AIR FILTER

143 RII, 2014-09

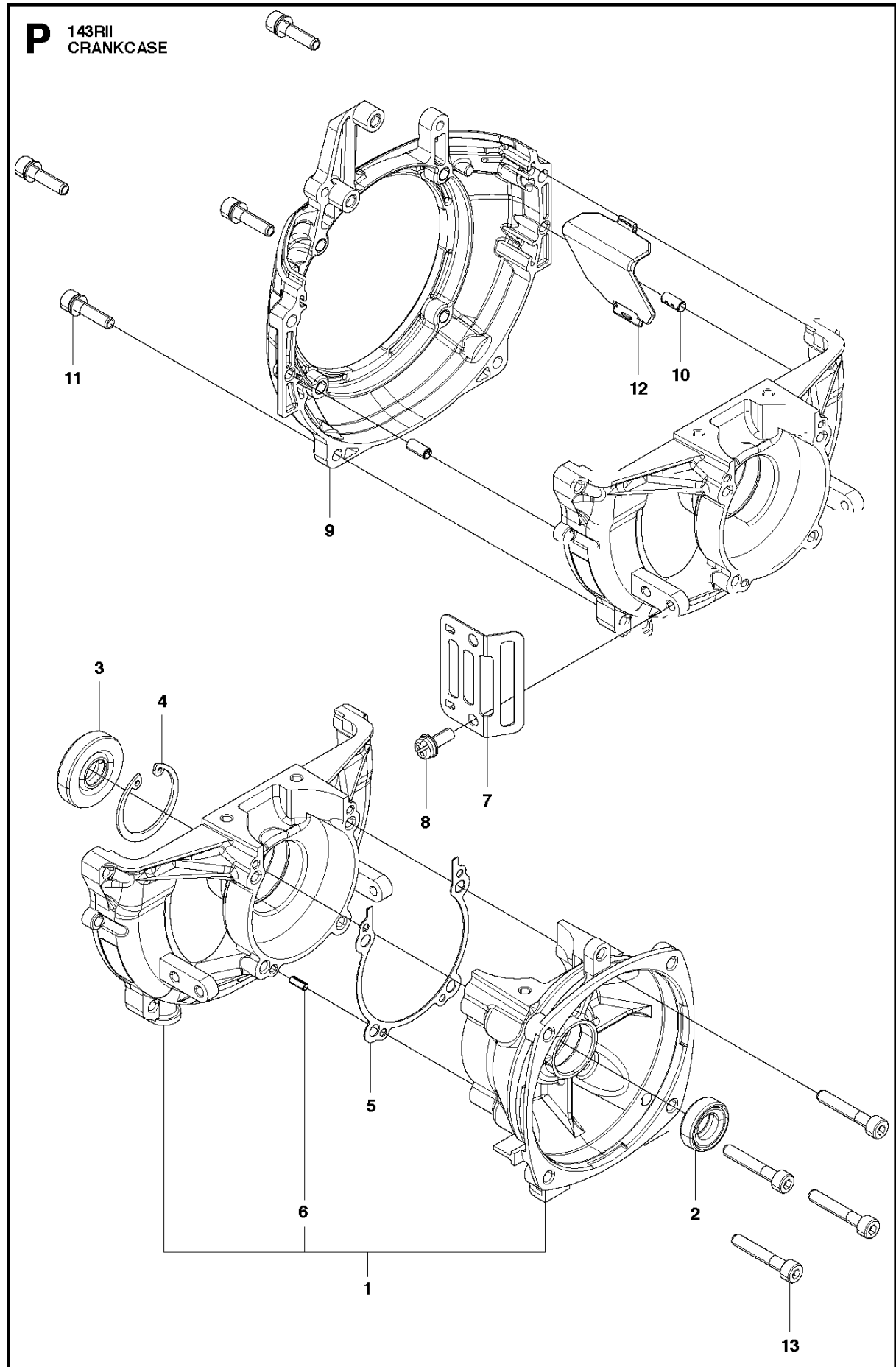
| Ref | Part No | Description | Remark | QTY | KIT |
|-----|--------------|-------------|--------|-----|-----|
| 1 | 526 52 05-01 | INSULATOR | | 1 | |
| 2 | 505 30 49-01 | GASKET.INSU | | 1 | |
| 3 | 505 30 50-01 | GASKET | | 1 | |
| 4 | 505 30 87-01 | SCREW | | 2 | |
| 5 | 505 30 88-01 | BODY-A | | 1 | |
| 6 | 505 30 89-01 | PLATE.CHOKE | | 1 | 5 |
| 7 | 505 30 90-01 | LEVER.CHOKE | | 1 | 5 |
| 8 | 506 61 40-01 | SCREW | | 1 | 5 |
| 9 | 505 30 92-01 | ELEMENT | | 1 | |
| 10 | 505 30 93-01 | COVER | | 1 | |
| 11 | 523 07 13-01 | KNOB | | 1 | 10 |
| 12 | 521 52 51-01 | CLAMP | | 1 | |
| 13 | 505 30 48-01 | SCREW | | 2 | |
| 14 | 506 74 42-01 | COVER | | 1 | |
| 15 | 586 93 14-01 | CARBURETTOR | ASIA | 1 | |



CLUTCH

143 RII, 2014-09

| Ref | Part No | Description | Remark | QTY KIT |
|-----|--------------|--------------|--------|---------|
| 1 | 505 29 29-01 | HOUSING | | 1 |
| 2 | 505 29 30-01 | HUB CAP | | 1 |
| 3 | 505 29 32-01 | JOINT | | 1 |
| 4 | 505 29 33-01 | ABSORBER | | 1 |
| 5 | 505 29 34-01 | ABSORBER | | 1 |
| 6 | 506 60 94-01 | BOLT | | 4 |
| 7 | 522 65 54-01 | BOLT | | 1 |
| 8 | 505 16 99-01 | BOLT | | 1 |
| 9 | 505 29 38-01 | DRUM | | 1 |
| 10 | 516 13 17-01 | BALL BEARING | | 1 |
| 11 | 510 55 13-01 | RING | | 1 |
| 12 | 516 12 42-01 | RING | | 1 |
| 13 | 505 31 24-01 | BOLT | | 4 |
| 14 | 505 29 76-01 | SHOE-C | | 1 |
| 15 | 505 29 77-01 | SPRING | | 1 |
| 16 | 505 29 78-01 | SCREW | | 2 |
| 17 | 505 29 80-01 | WASHER | | 2 |
| 18 | 505 29 81-01 | WASHER | | 2 |

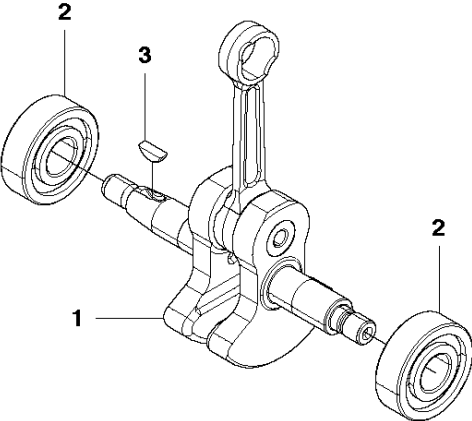


CRANKCASE

143 RII, 2014-09

| Ref | Part No | Description | Remark | QTY | KIT |
|-----|--------------|-------------|--------|-----|-----|
| 1 | 585 56 52-01 | CRANKCASE | | 1 | |
| 2 | 504 12 15-01 | SEALING | | 1 | |
| 3 | 505 29 67-01 | SEAL | | 1 | |
| 4 | 504 12 10-01 | SNAP RING | | 1 | |
| 5 | 505 29 64-01 | GASKET | | 1 | |
| 6 | 505 29 61-01 | PIN | | 3 | 1 |
| 7 | 505 29 62-01 | GUARD | | 1 | |
| 8 | 505 29 98-01 | SCREW | | 1 | |
| 9 | 574 72 12-01 | COVER | | 1 | |
| 10 | 505 30 00-01 | PIN | | 2 | |
| 11 | 505 30 02-01 | BOLT | | 4 | |
| 12 | 505 30 04-01 | PLATE | | 1 | |
| 13 | 506 60 94-01 | BOLT | | 4 | |

N 143RII
CRANKSHAFT

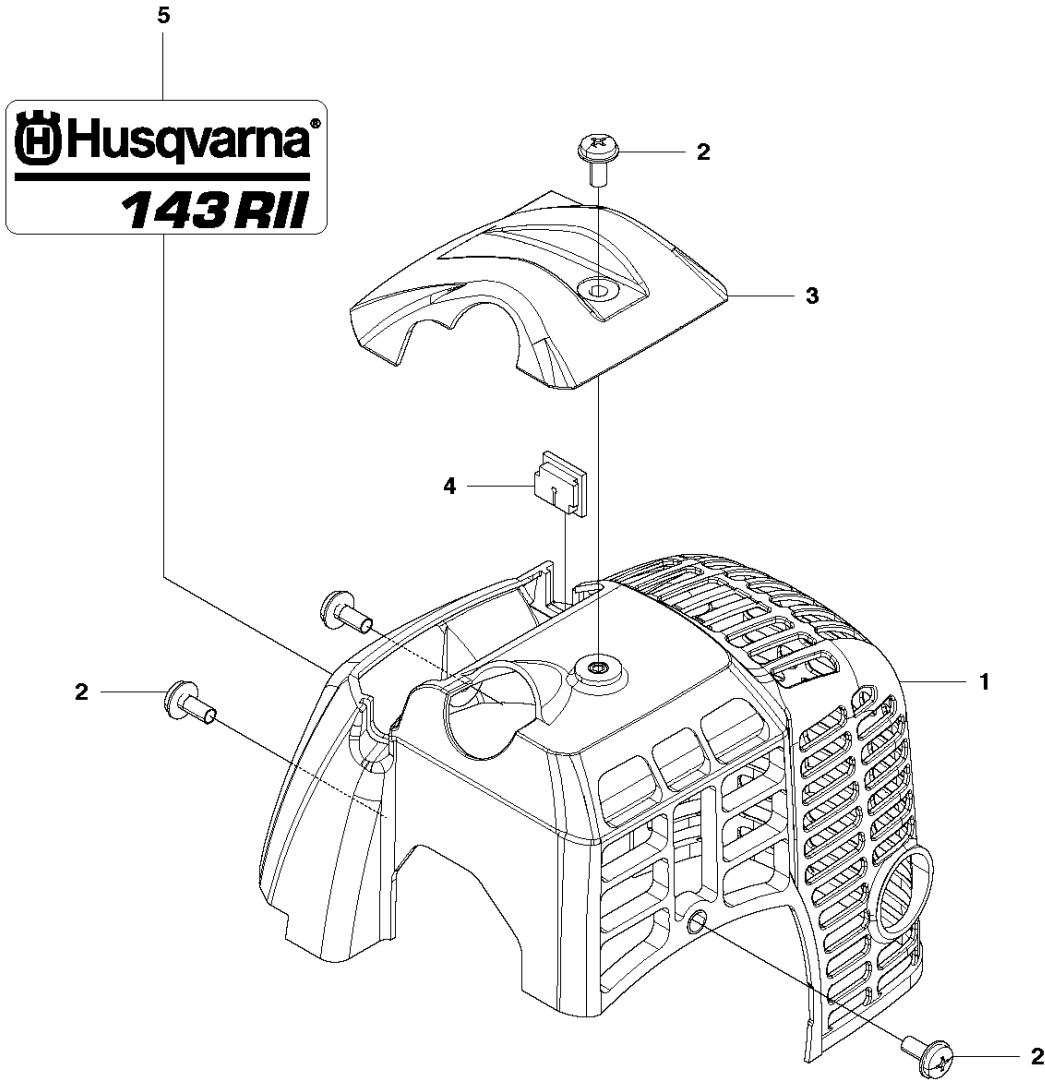


CRANKSHAFT

143 RII, 2014-09

| Ref | Part No | Description | Remark | QTY KIT |
|-----|--------------|-------------|--------|---------|
| 1 | 585 15 30-01 | CRANKSHAFT | | 1 |
| 2 | 505 29 65-01 | BEARING | | 2 |
| 3 | 506 68 94-01 | KEY | | 1 |

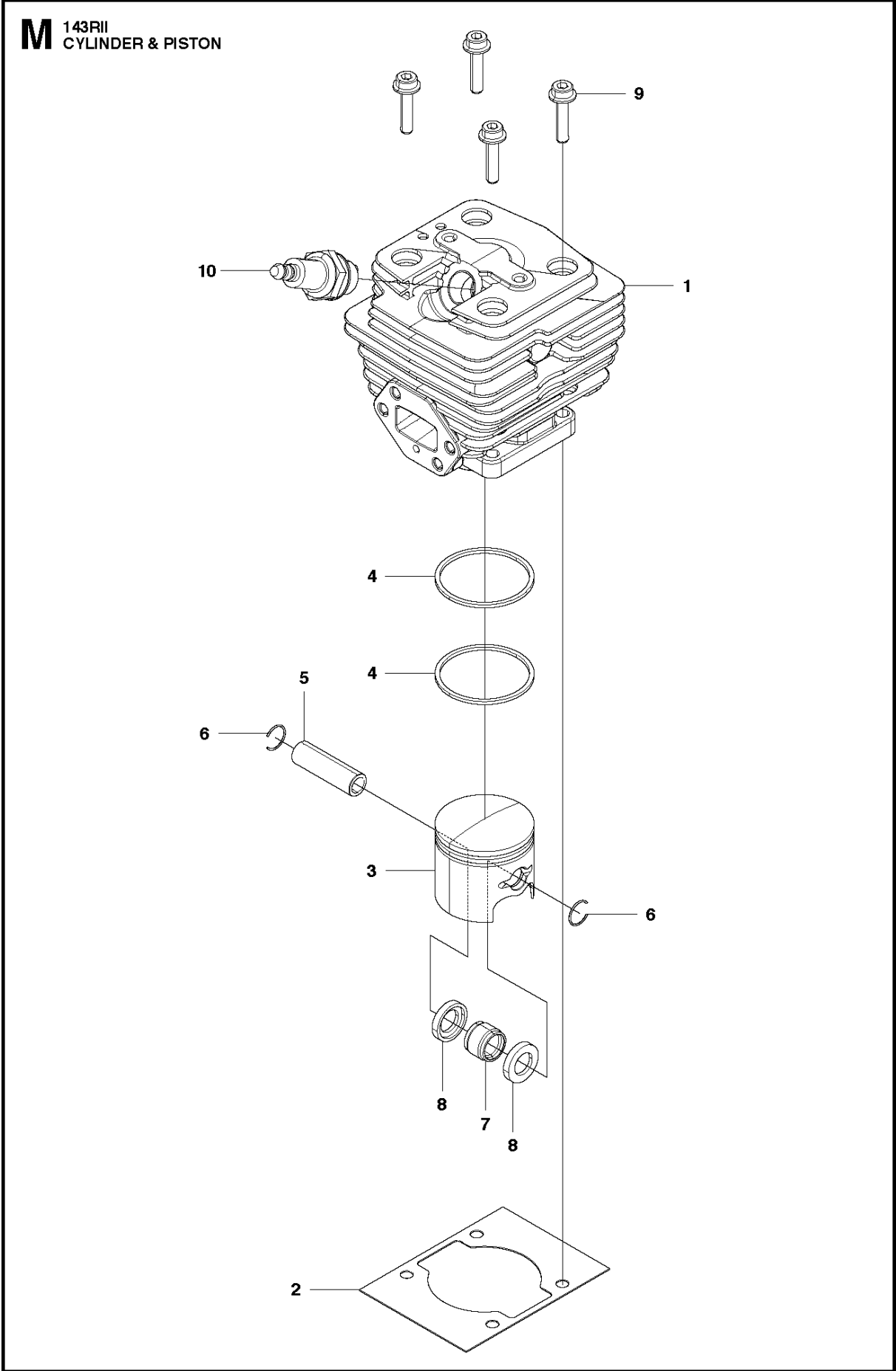
G 143RII
CYLINDER COVER



CYLINDER COVER

143 RII, 2014-09

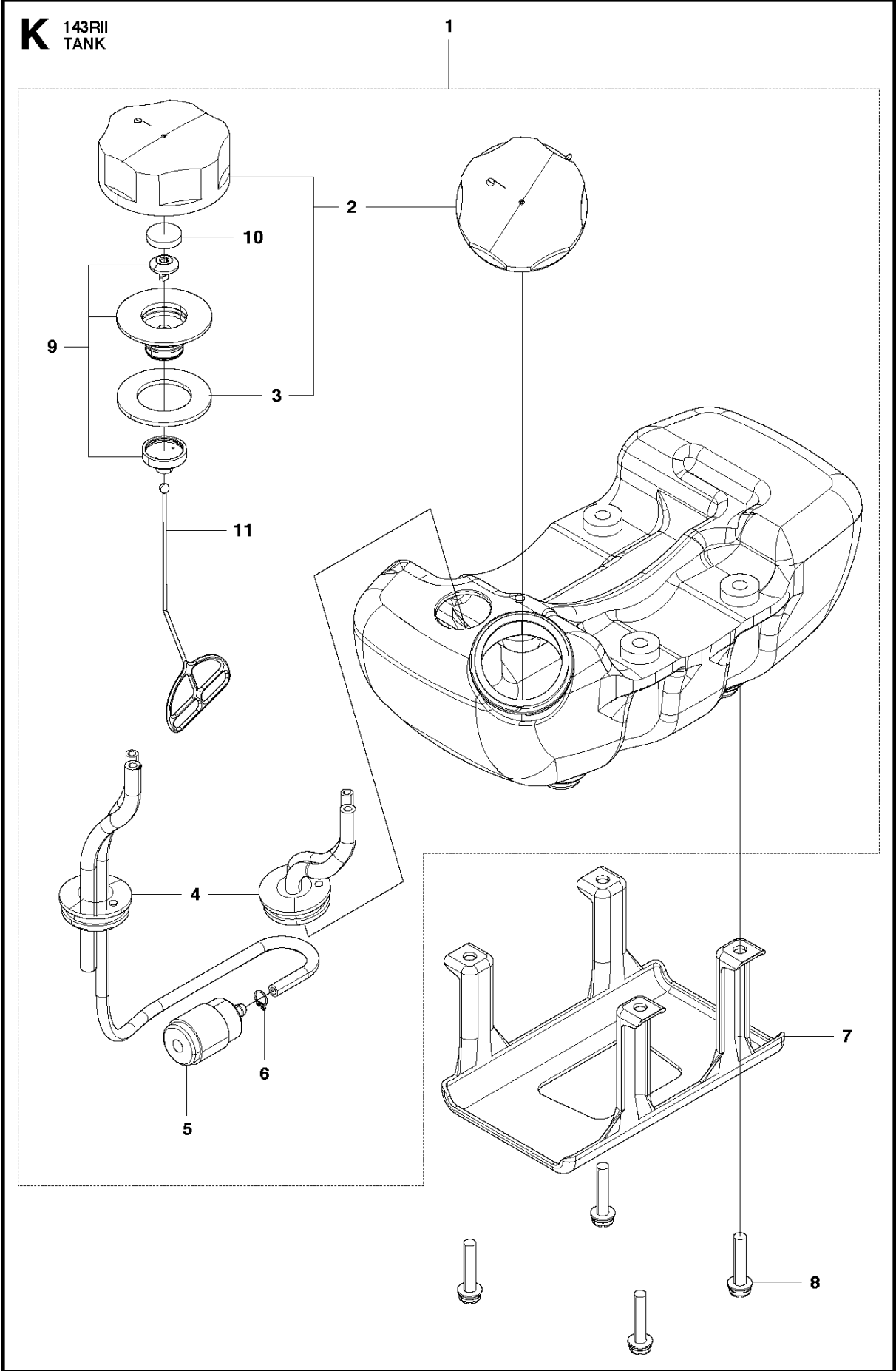
| Ref | Part No | Description | Remark | QTY KIT |
|-----|--------------|--------------|--------|---------|
| 1 | 505 30 05-01 | COVER.ENGINE | | 1 |
| 2 | 505 30 06-01 | SCREW | | 4 |
| 3 | 505 30 11-01 | GUARD | | 1 |
| 4 | 505 30 13-01 | GROMMET | | 1 |
| 5 | 528 75 34-01 | LABEL,COVER | | 1 |



CYLINDER PISTON

143 RII, 2014-09

| Ref | Part No | Description | Remark | QTY KIT |
|-----|--------------|-----------------|--------|---------|
| 1 | 510 06 42-01 | CYLINDER | | 1 |
| 2 | 510 06 43-01 | GASKET | | 1 |
| 3 | 505 29 69-01 | PISTON | | 1 |
| 4 | 510 91 79-01 | RING.PISTON | | 2 |
| 5 | 505 29 71-01 | PIN | | 1 |
| 6 | 516 28 30-01 | RING | | 2 |
| 7 | 505 29 73-01 | BEARING | | 1 |
| 8 | 513 75 24-01 | WASHER | | 2 |
| 9 | 513 41 25-01 | BOLT | | 4 |
| 10 | 515 49 74-01 | SPARKPLUGBPMR7A | | 1 |

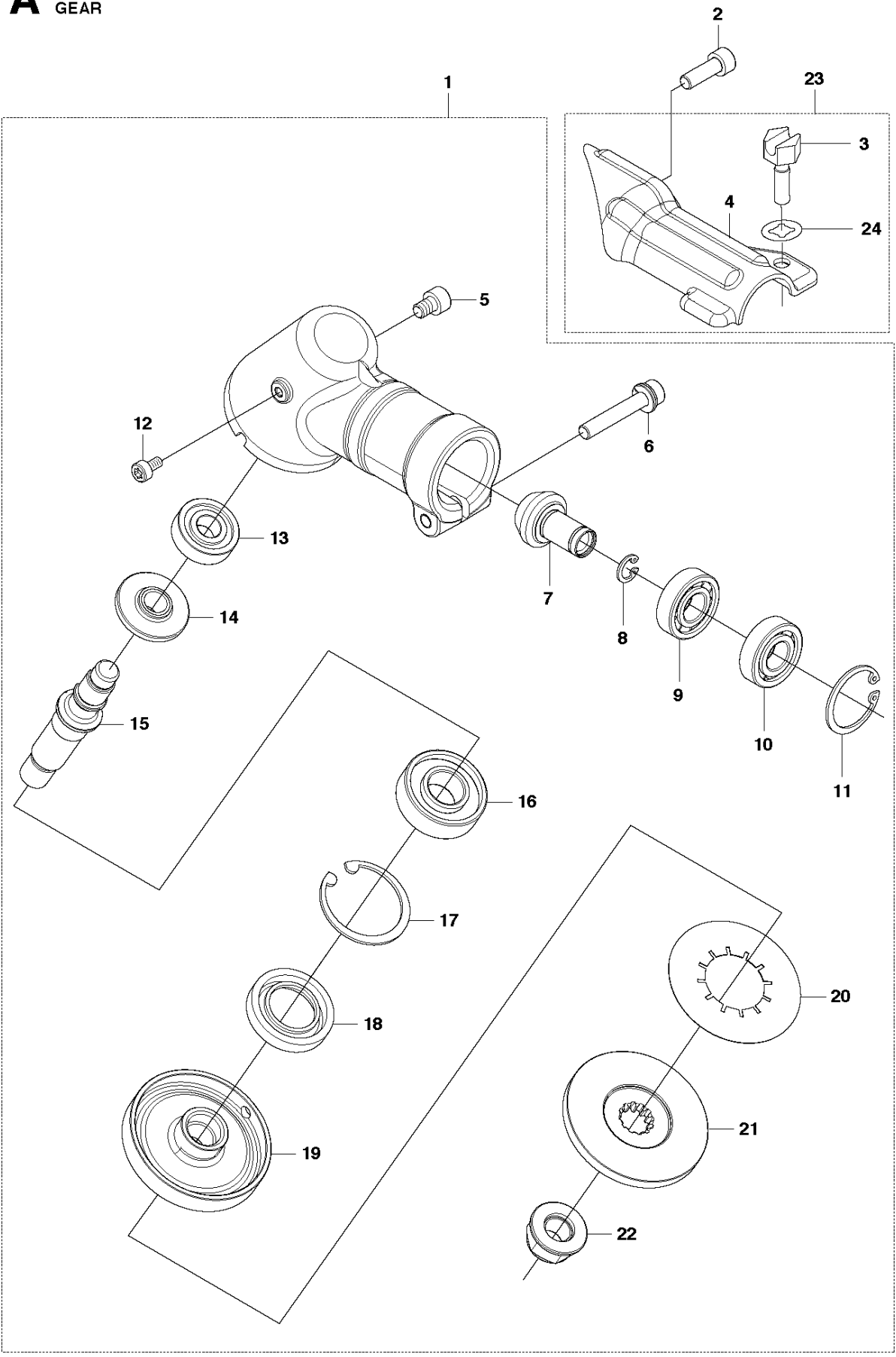


FUEL TANK

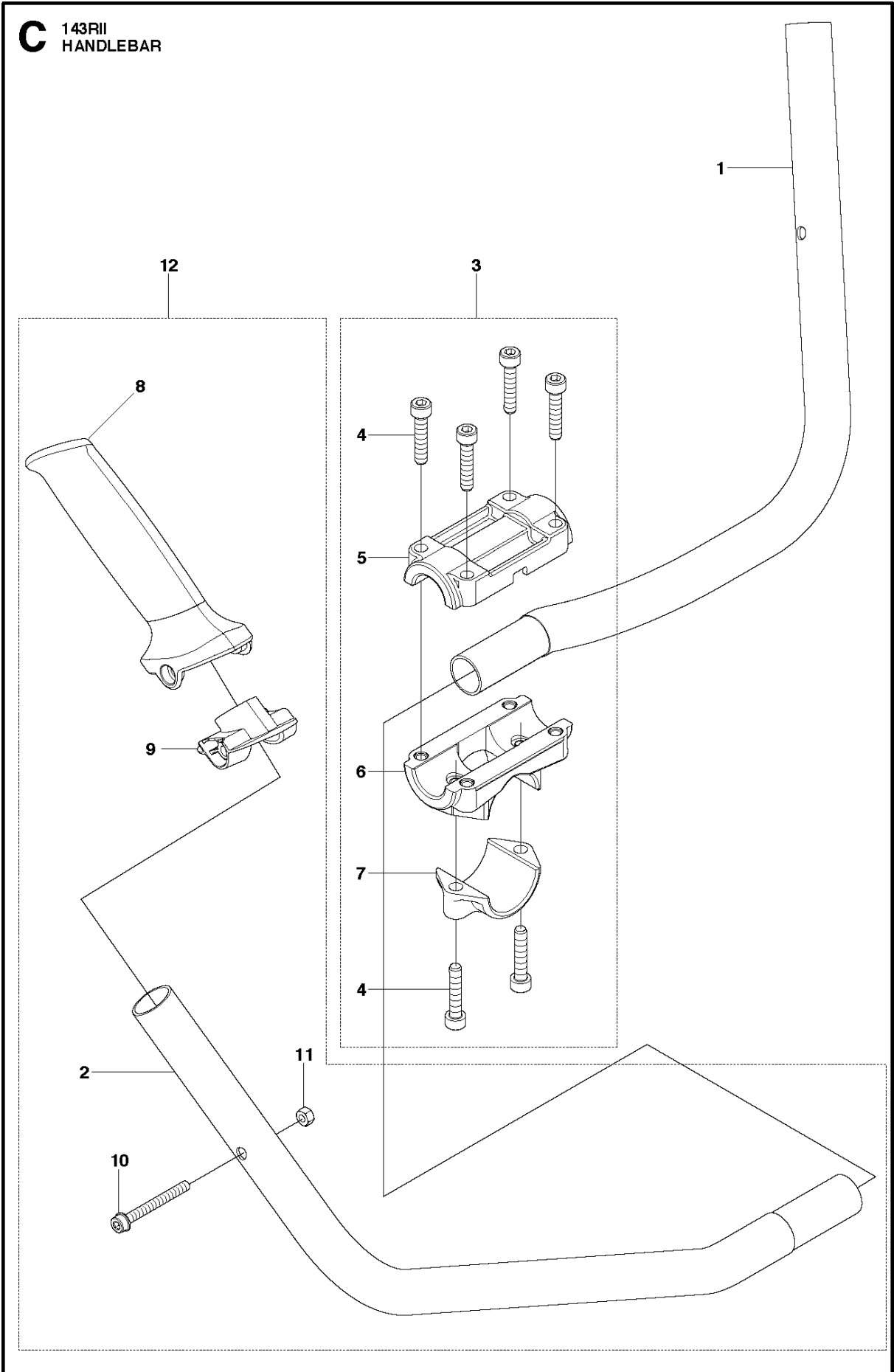
143 RII, 2014-09

| Ref | Part No | Description | Remark | QTY | KIT |
|-----|--------------|-------------|--------|-----|-----|
| 1 | 586 93 15-01 | TANK | | 1 | |
| 2 | 505 30 96-01 | CAP-A | | 1 | 1 |
| 3 | 506 74 43-01 | PACKING | | 1 | 1 |
| 4 | 505 31 03-01 | PIPE-C | | 1 | 1 |
| 5 | 503 44 32-01 | FILTER | | 1 | 1 |
| 6 | 506 70 70-01 | CLIP | | 1 | 1 |
| 7 | 505 31 09-01 | GUARD | | 1 | |
| 8 | 505 31 10-01 | SCREW | | 4 | |
| 9 | 515 36 94-01 | HOLDER-A | | 1 | |
| 10 | 506 74 68-01 | FILTER | | 1 | |
| 11 | 506 74 58-01 | STOPPER | | 1 | |

A 143RII
GEAR

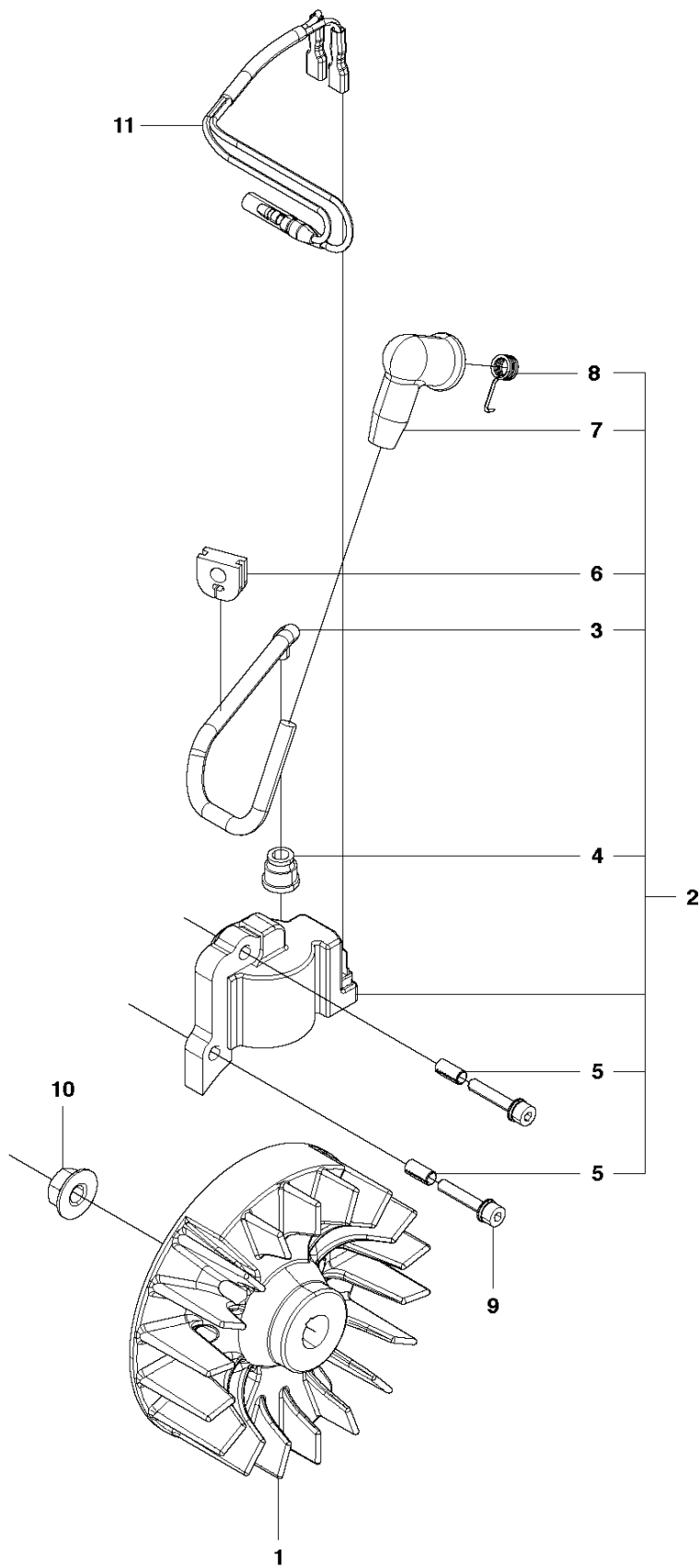


| Ref | Part No | Description | Remark | QTY | KIT |
|-----|--------------|--------------|--------|-----|-----|
| 1 | 579 07 62-01 | GEAR CASE | | 1 | |
| 2 | 506 74 56-01 | BOLT | | 1 | 1 |
| 3 | 537 18 95-01 | SCREW | | 1 | 1 |
| 4 | 528 81 85-01 | BRACKET | | 1 | 1 |
| 5 | 521 86 20-01 | BOLT | | 1 | 1 |
| 6 | 521 86 24-01 | BOLT | | 1 | 1 |
| 7 | 579 07 68-01 | PINION | | 1 | 1 |
| 8 | 516 12 41-01 | RING | | 1 | 1 |
| 9 | 516 12 79-01 | BALL BEARING | | 1 | 1 |
| 10 | 516 13 00-01 | BALL BEARING | | 1 | 1 |
| 11 | 506 60 99-01 | RING | | 1 | 1 |
| 12 | 544 36 27-01 | BOLT | | 1 | 1 |
| 13 | 505 17 02-01 | BEARING | | 1 | 1 |
| 14 | 579 07 67-01 | GEAR | | 1 | 1 |
| 15 | 579 07 66-01 | SHAFT | | 1 | 1 |
| 16 | 516 13 17-01 | BALL BEARING | | 1 | 1 |
| 17 | 502 84 93-01 | SNAP RING | | 1 | 1 |
| 18 | 521 52 22-01 | SEAL | | 1 | 1 |
| 19 | 579 07 69-01 | HOLDER | | 1 | 1 |
| 20 | 579 07 70-01 | PLATE | | 1 | 1 |
| 21 | 579 07 71-01 | HOLDER | | 1 | 1 |
| 22 | 579 07 64-01 | NUT | | 1 | 1 |
| 23 | 575 77 88-01 | BRACKET | EU | 1 | 1 |
| 24 | 575 67 73-01 | LOCK WASHER | EU | 1 | 1 |



| Ref | Part No | Description | Remark | QTY | KIT |
|-----|--------------|--------------|-------------|-----|-----|
| 1 | 586 93 19-01 | HANDLE | | 1 | |
| 2 | 586 93 21-01 | HANDLE | | 1 | 12 |
| 3 | 505 29 46-01 | BRACKET-ASSY | | 1 | |
| 4 | 516 07 10-01 | BOLT | Screw M5x25 | 6 | 3 |
| 5 | 505 29 49-01 | CAP-U | | 1 | 3 |
| 6 | 505 29 47-01 | BRACKET | | 1 | 3 |
| 7 | 505 29 48-01 | CAP-L | | 1 | 3 |
| 8 | 537 17 28-02 | HANDLE | | 1 | 12 |
| 9 | 537 17 29-01 | COVER | | 1 | 12 |
| 10 | 510 90 94-01 | BOLT | | 1 | 12 |
| 11 | 575 96 06-01 | NUT | | 1 | 12 |
| 12 | 586 93 20-01 | HANDLE | | 1 | |

F 143RII
IGNITION

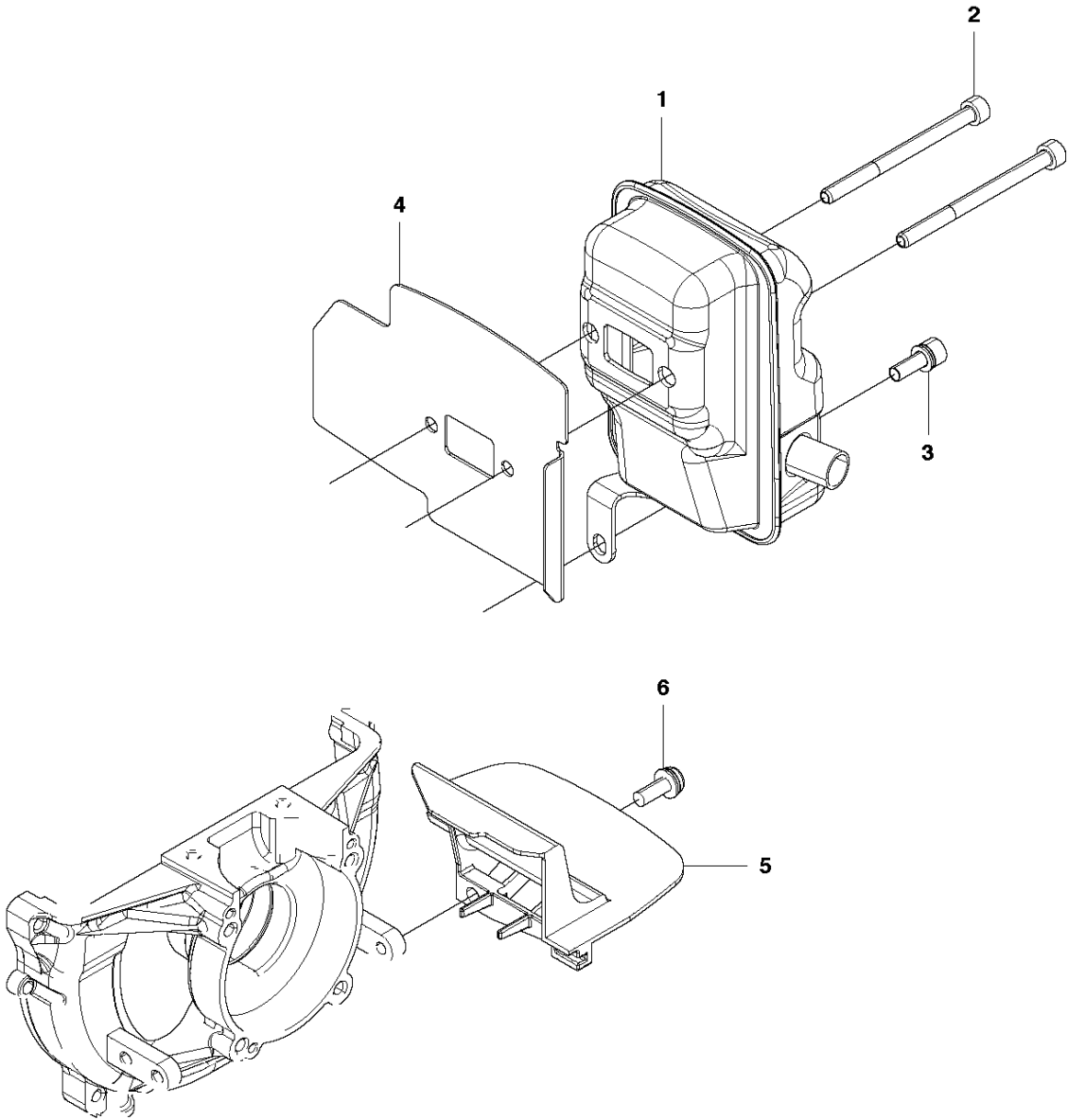


IGNITION SYSTEM

143 RII, 2014-09

| Ref | Part No | Description | Remark | QTY | KIT |
|-----|--------------|-------------|--------|-----|-----|
| 1 | 505 29 82-01 | ROTOR | | 1 | |
| 2 | 505 29 83-01 | COIL-A | | 1 | |
| 3 | 505 29 84-01 | CORD.HIGH | | 1 | 2 |
| 4 | 505 04 28-01 | HUB CAP | | 1 | 2 |
| 5 | 505 29 86-01 | PIN | | 2 | 2 |
| 6 | 515 41 53-01 | GROMMET | | 1 | |
| 7 | 505 29 88-01 | HUB CAP | | 1 | |
| 8 | 505 29 89-01 | SPRING | | 1 | |
| 9 | 505 29 90-01 | BOLT | | 2 | |
| 10 | 504 11 80-01 | NUT | | 1 | |
| 11 | 529 25 29-01 | CORD-C | | 1 | |

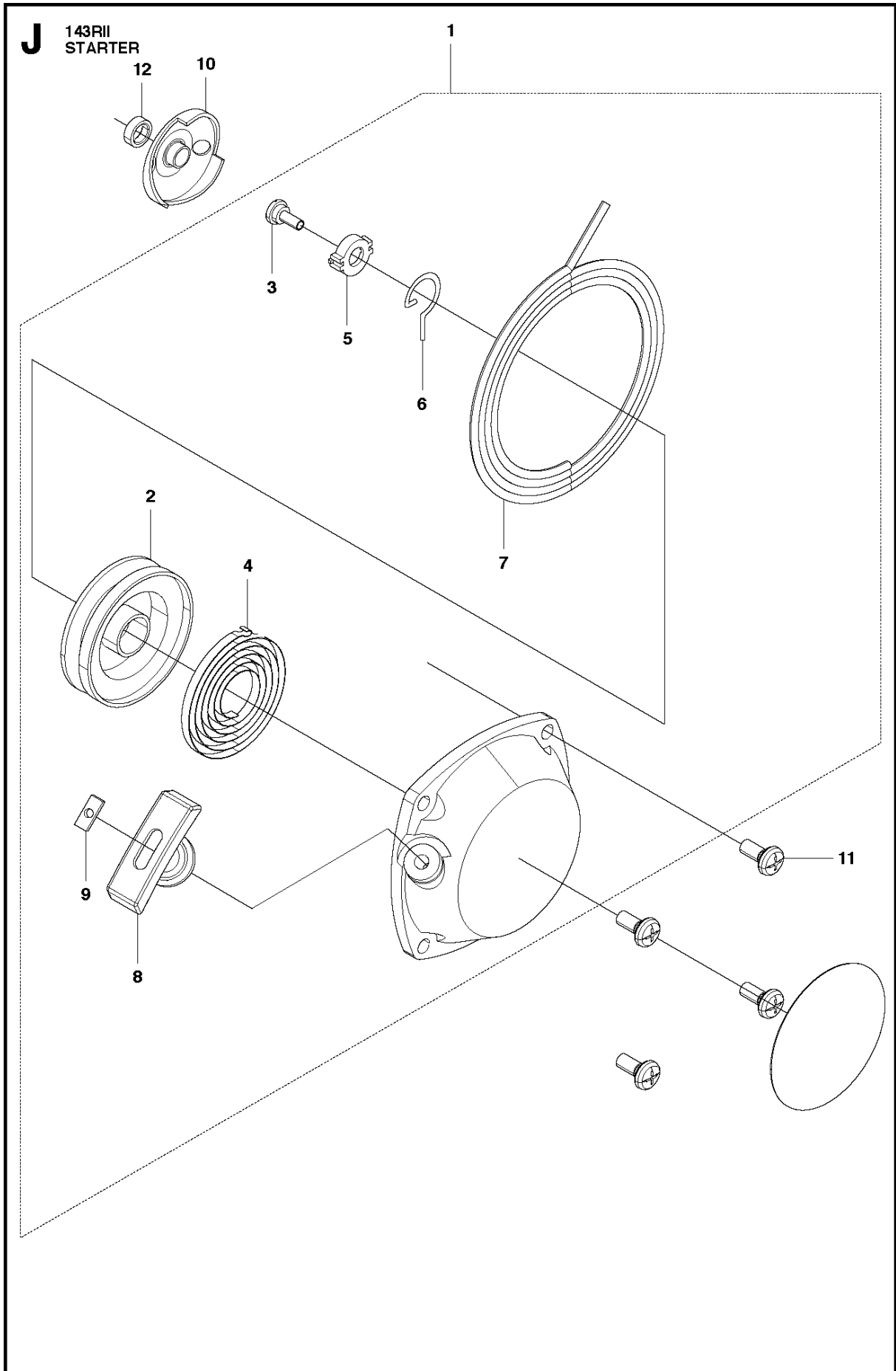
H 143RII
MUFFLER



MUFFLER

143 RII, 2014-09

| Ref | Part No | Description | Remark | QTY KIT |
|-----|--------------|---------------|--------|---------|
| 1 | 505 29 93-01 | MUFFLER | | 1 |
| 2 | 505 29 94-01 | BOLT | | 2 |
| 3 | 505 29 95-01 | BOLT | | 1 |
| 4 | 526 52 28-01 | GASKET | | 1 |
| 5 | 505 29 97-01 | PLATE.MUFFLER | | 1 |
| 6 | 505 29 98-01 | SCREW | | 1 |

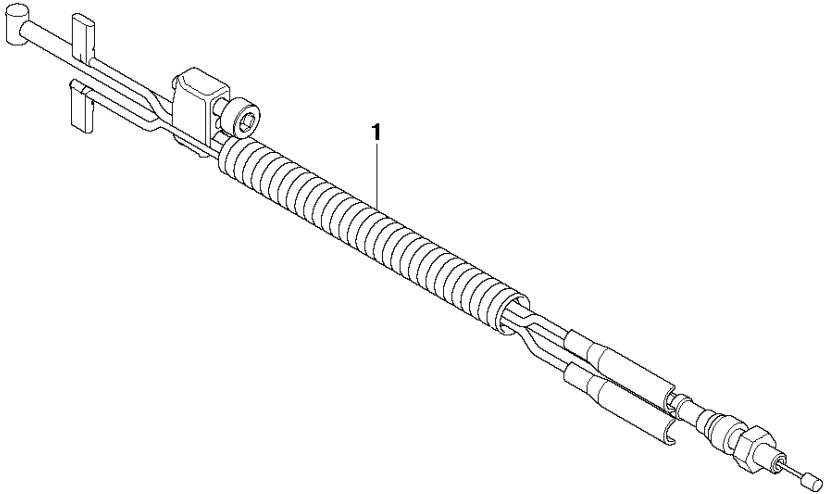
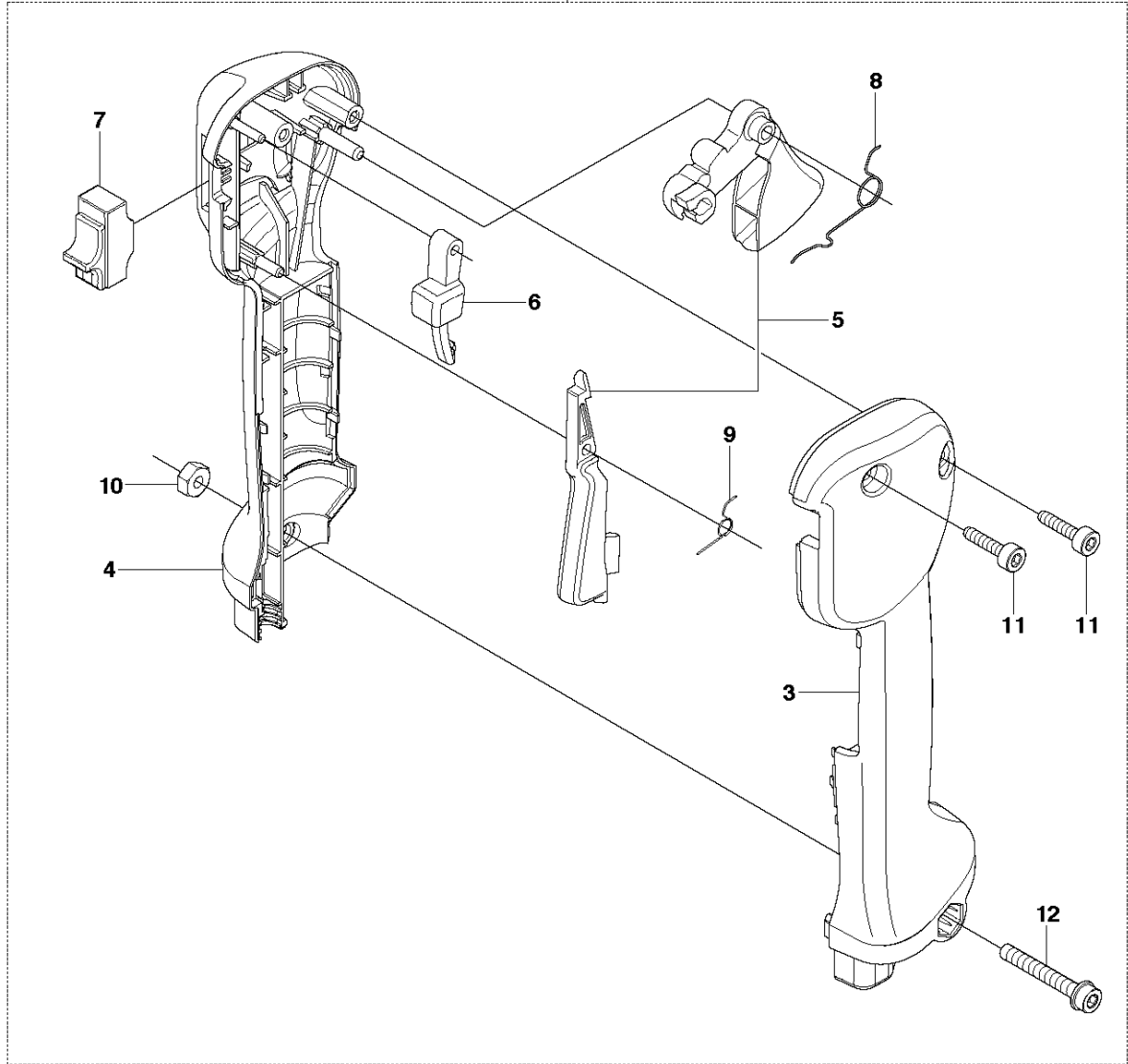


STARTER

143 RII, 2014-09

| Ref | Part No | Description | Remark | QTY | KIT |
|-----|--------------|---------------|--------|-----|-----|
| 1 | 505 30 17-01 | RECOIL-A | | 1 | |
| 2 | 504 11 47-01 | REEL | | 1 | 1 |
| 3 | 515 36 71-01 | SCREW | | 1 | 1 |
| 4 | 504 11 50-01 | SPRING.SPIRAL | | 1 | 1 |
| 5 | 504 11 46-01 | COLLAR | | 1 | 1 |
| 6 | 504 11 48-01 | ARM | | 1 | 1 |
| 7 | 505 30 28-01 | ROPE | | 1 | 1 |
| 8 | 505 30 34-01 | KNOB | | 1 | 1 |
| 9 | 504 11 40-01 | PLATE.STOPPER | | 1 | 1 |
| 10 | 504 11 44-01 | PULLEY | | 1 | |
| 11 | 505 30 44-01 | SCREW | | 4 | |
| 12 | 505 30 46-01 | COLLAR | | 1 | |
| 13 | 528 75 44-01 | LABEL,RECOIL | ASIA | 1 | |

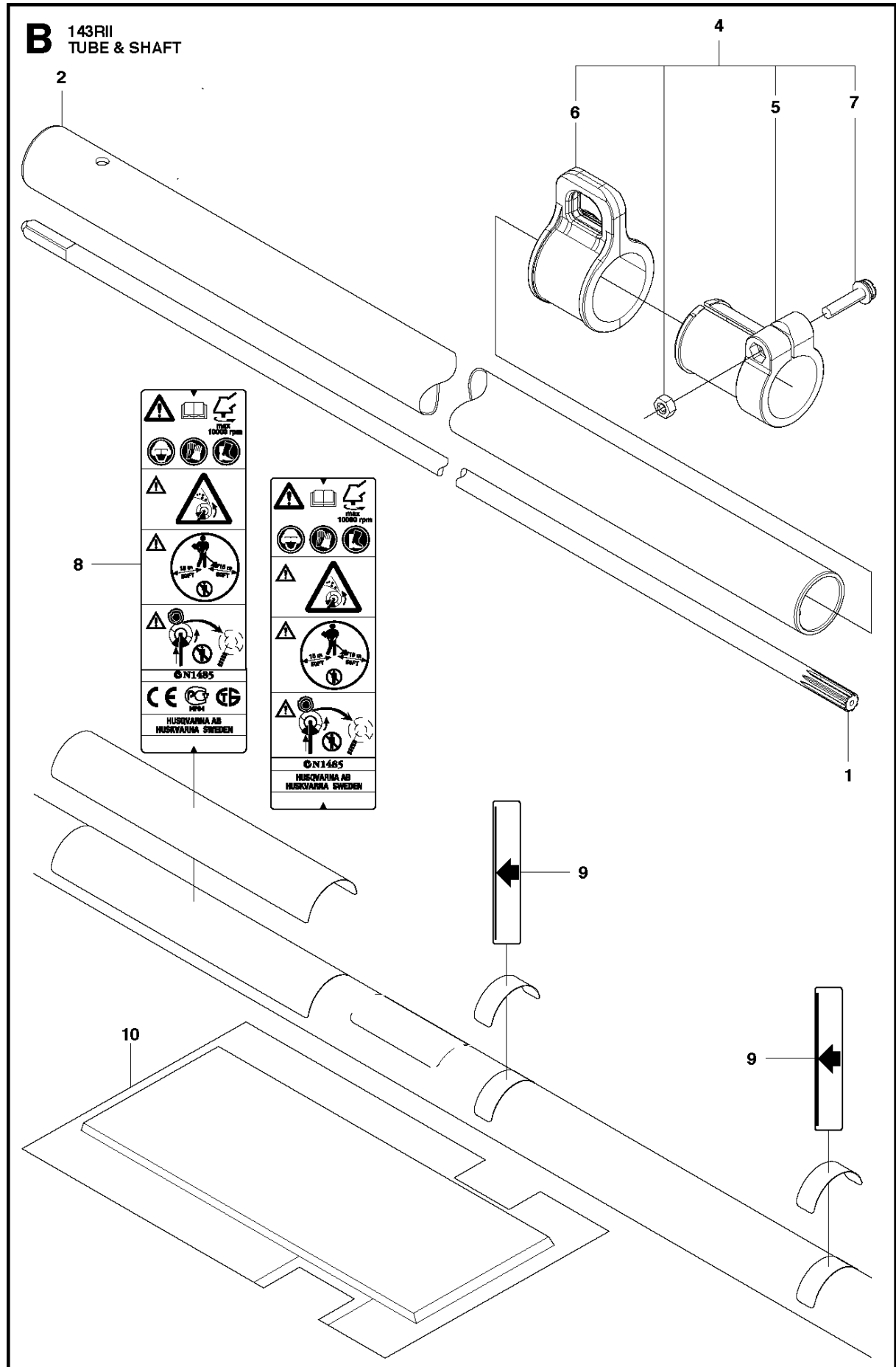
D 143RII
THROTTLE HANDLE



THROTTLE CONTROLS

143 RII, 2014-09

| Ref | Part No | Description | Remark | QTY | KIT |
|-----|--------------|----------------------|--------|-----|-----|
| 1 | 522 03 66-01 | THROTTLE CABLE ASSY | | 1 | |
| 2 | 537 18 35-07 | HANDLE SYSTEM ASSY | | 1 | |
| 3 | 537 16 03-01 | HANDLE HALF RIGHT | | 1 | 2 |
| 4 | 537 16 02-03 | HANDLE HALF LEFT | | 1 | 2 |
| 5 | 506 49 77-01 | THROTTLE CONTROL | | 1 | 2 |
| 6 | 537 16 07-03 | STARTER THROTTLE LOC | | 1 | 2 |
| 7 | 503 71 82-01 | SWITCH | | 1 | 2 |
| 8 | 537 17 42-01 | SPRING THROTTLE TRIG | | 1 | 2 |
| 9 | 537 17 43-01 | SPRING | | 1 | 2 |
| 10 | 503 22 10-13 | HEXAGON NUT | | 1 | 2 |
| 11 | 503 21 66-74 | SCREW IHSCCT | | 2 | 2 |
| 12 | 503 20 07-82 | SCREW IHSCFM | | 1 | 2 |



TUBE & SHAFT

143 RII, 2014-09

| Ref | Part No | Description | Remark | QTY KIT |
|-----|--------------|-------------|--------|---------|
| 1 | 583 94 32-01 | DRIVE SHAFT | | 1 |
| 2 | 521 80 67-01 | PIPE-COMP | | 1 |
| 4 | 505 29 53-01 | HANGER ASSY | | 1 |
| 5 | 505 29 54-01 | HANGER | | 1 |
| 6 | 505 29 55-01 | CLAMP | | 1 |
| 7 | 505 29 57-01 | SCREW | | 1 |
| 8 | 587 22 84-01 | LABEL | EU | 1 |
| 8 | 587 36 26-01 | DECAL | ASIA | 1 |
| 9 | 505 29 58-01 | LABEL | EU | 2 |
| 10 | 521 53 87-01 | PROTECTOR | | 1 |