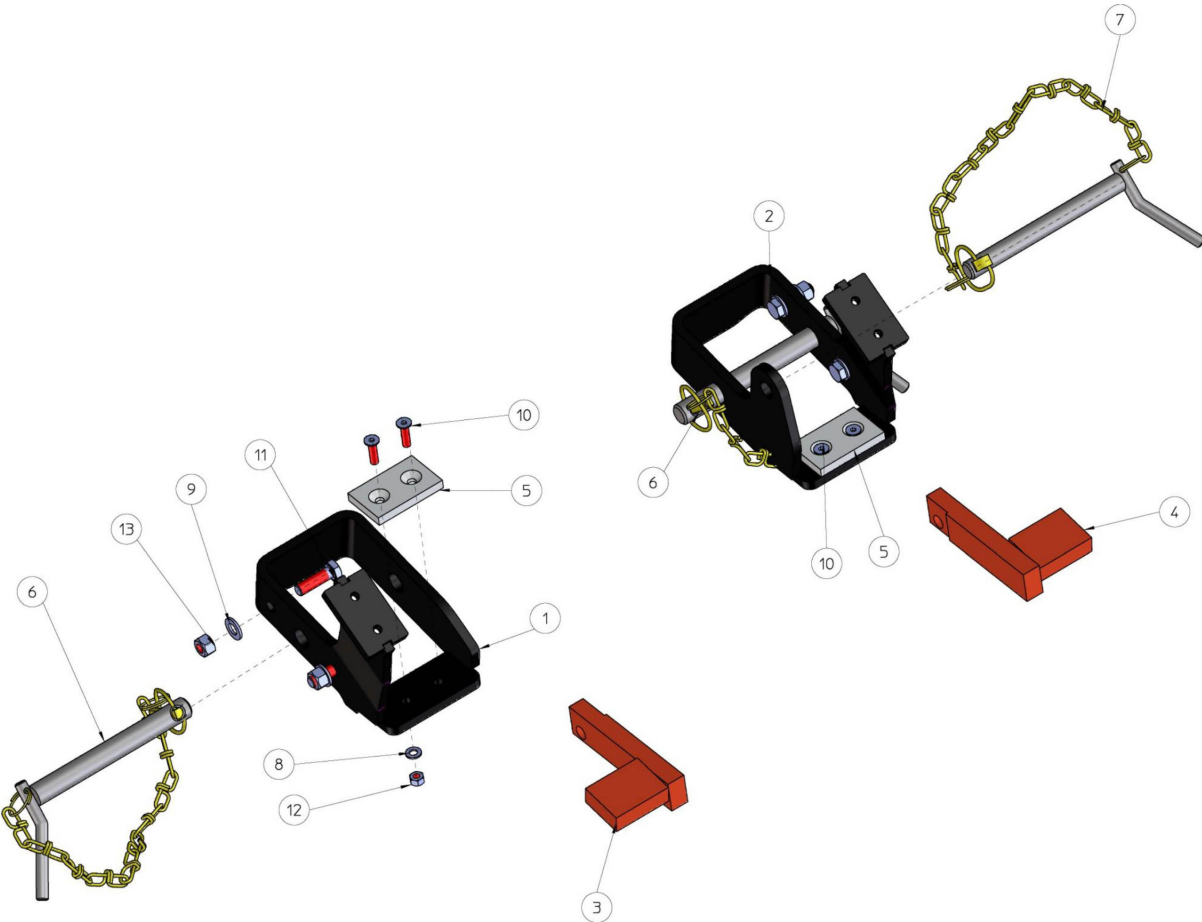




# SPARE PARTS LIST

RIDERS

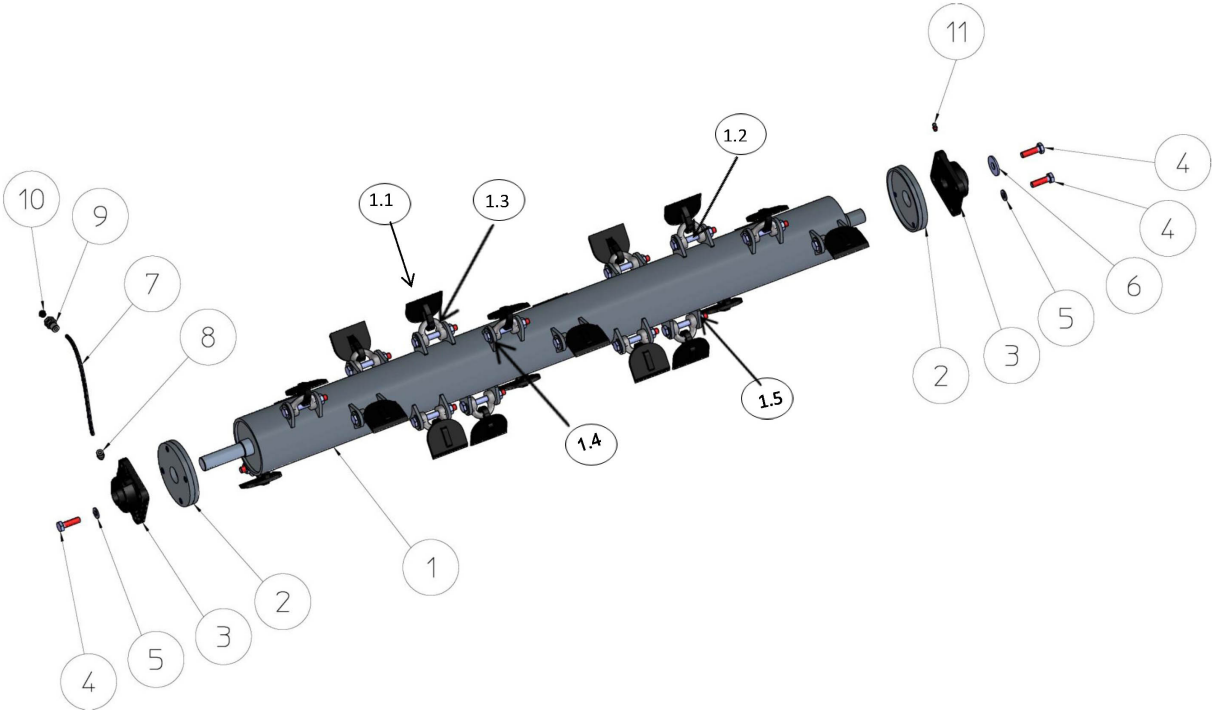
FLAIL MOWER, 967339601, 2015-04



## ATTACHMENTS

FLAIL MOWER, 967339601, 2015-04

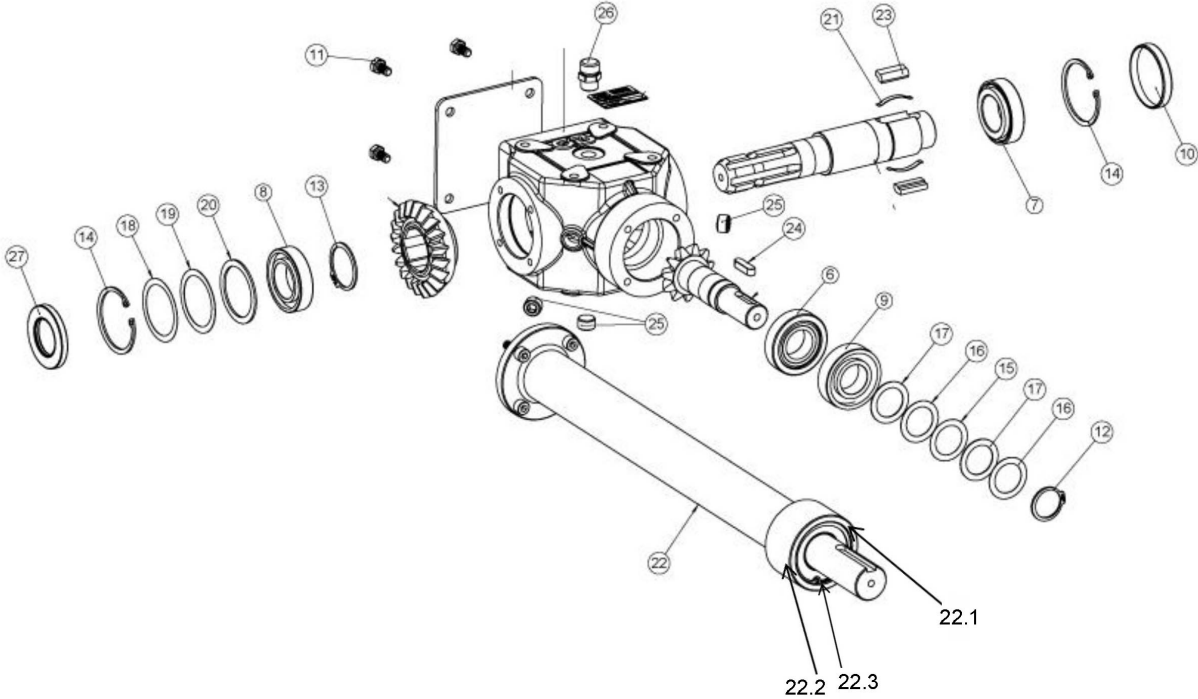
Ref	Part No	Description	Remark	QTY KIT
1	581 32 47-01	MOUNTING BRACKET		1
2	581 32 48-01	MOUNTING BRACKET		1
3	579 53 85-01	STOPPER		1
4	579 53 86-01	STOPPER		1
5	581 32 49-01	PLATE		2
6	581 32 49-01	PLATE		2
7	581 32 51-01	CHAIN		1
8	588 64 81-01	WASHER		4
9	581 32 53-01	WASHER		8
10	581 32 54-01	SCREW		4
11	581 32 55-01	BOLT		4
12	588 64 85-01	HEXAGON NUT		4
13	581 32 57-01	LOCK NUT		4



## CUTTING EQUIPMENT

FLAIL MOWER, 967339601, 2015-04

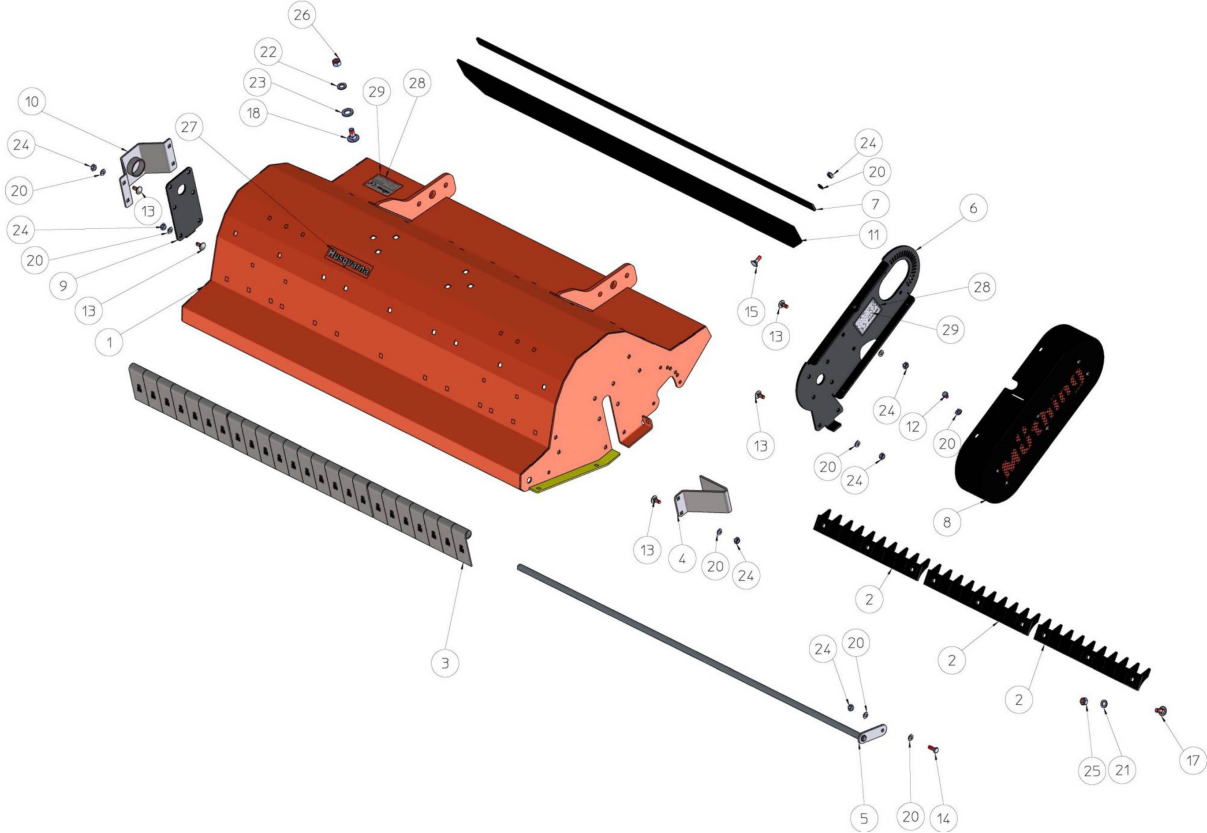
Ref	Part No	Description	Remark	QTY KIT
1	588 65 13-01	ROTOR		1
1.1	588 65 14-01	BLADE		20
1.2	581 31 86-01	BOLT		20
1.3	588 65 15-01	SHACKLE		20
1.4	588 65 16-01	SCREW		20
1.5	588 65 17-01	BRACKET		40
2	581 31 81-01	DISC		2
3	581 31 91-01	BEARING PLATE		2
4	588 65 18-01	SCREW		9
5	581 31 88-01	WASHER		8
6	588 65 19-01	WASHER		1
7	588 65 20-01	HOSE	6x1x170 mm	1
8	581 31 94-01	FITTING		1
9	581 31 95-01	FITTING		1
10	581 31 96-01	LUBRICATION NIPPLE		1
11	588 65 21-01	LUBRICATION NIPPLE		1



## GEAR BOX

FLAIL MOWER, 967339601, 2015-04

Ref	Part No	Description	Remark	QTY KIT
6	588 66 58-01	ROLLER BEARING		1
7	588 66 59-01	ROLLER BEARING		1
8	588 66 60-01	BALL BEARING		1
9	588 66 61-01	BALL BEARING		1
10	588 66 62-01	SEALING RING		1
11	588 66 63-01	SCREW		4
12	588 66 64-01	RETAINER RING		1
13	588 66 65-01	RETAINER RING		1
14	588 66 66-01	RETAINER RING		2
15	588 66 67-01	WASHER		1
16	588 66 68-01	WASHER		2
17	588 66 69-01	WASHER		2
18	588 66 70-01	WASHER		1
19	588 66 71-01	WASHER		1
20	588 66 72-01	WASHER		1
21	588 66 73-01	PLATE SPRING		2
22	588 66 74-01	SHAFT		1
22.1	588 66 75-01	RETAINER RING		2
22.2	588 66 76-01	SEALING RING		1
22.3	588 66 77-01	BALL BEARING		1
23	581 32 35-01	KEY		2
24	588 66 78-01	KEY		1
25	588 66 80-01	SCREW		3
26	588 66 81-01	OIL PLUG		1
27	588 66 82-01	SEALING		1

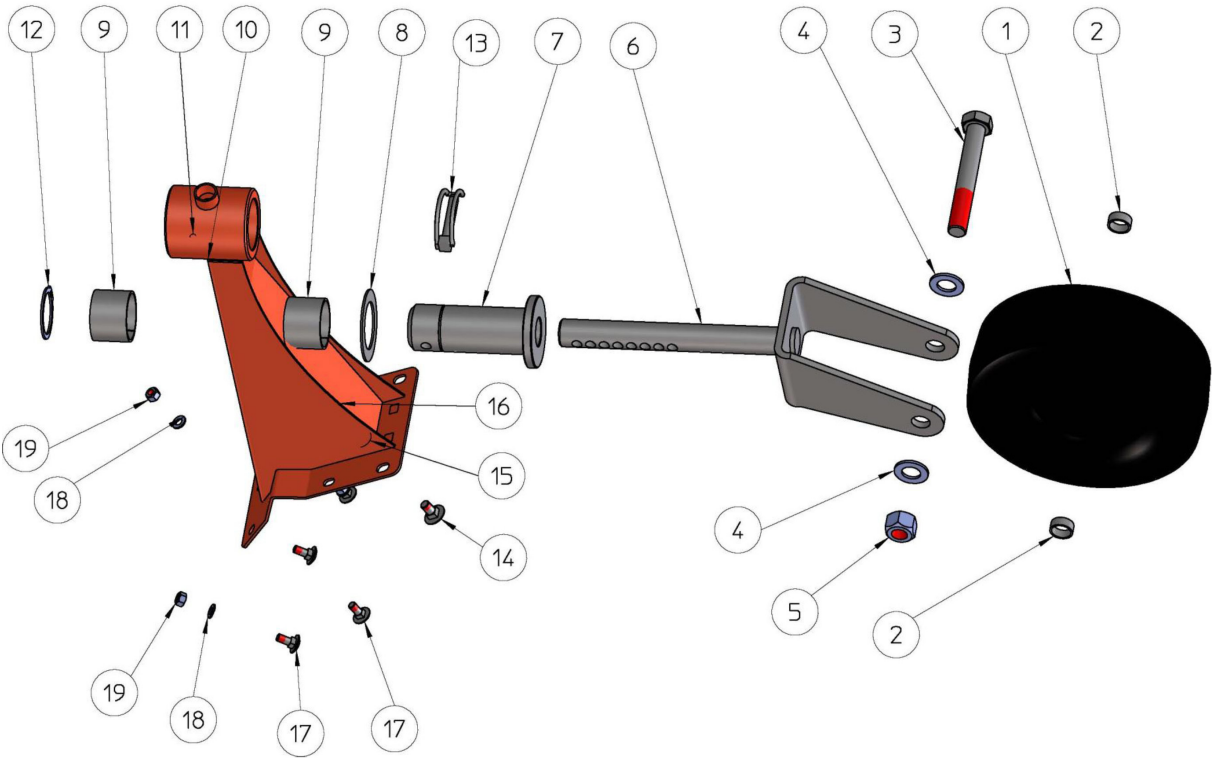




## HOUSING

FLAIL MOWER, 967339601, 2015-04

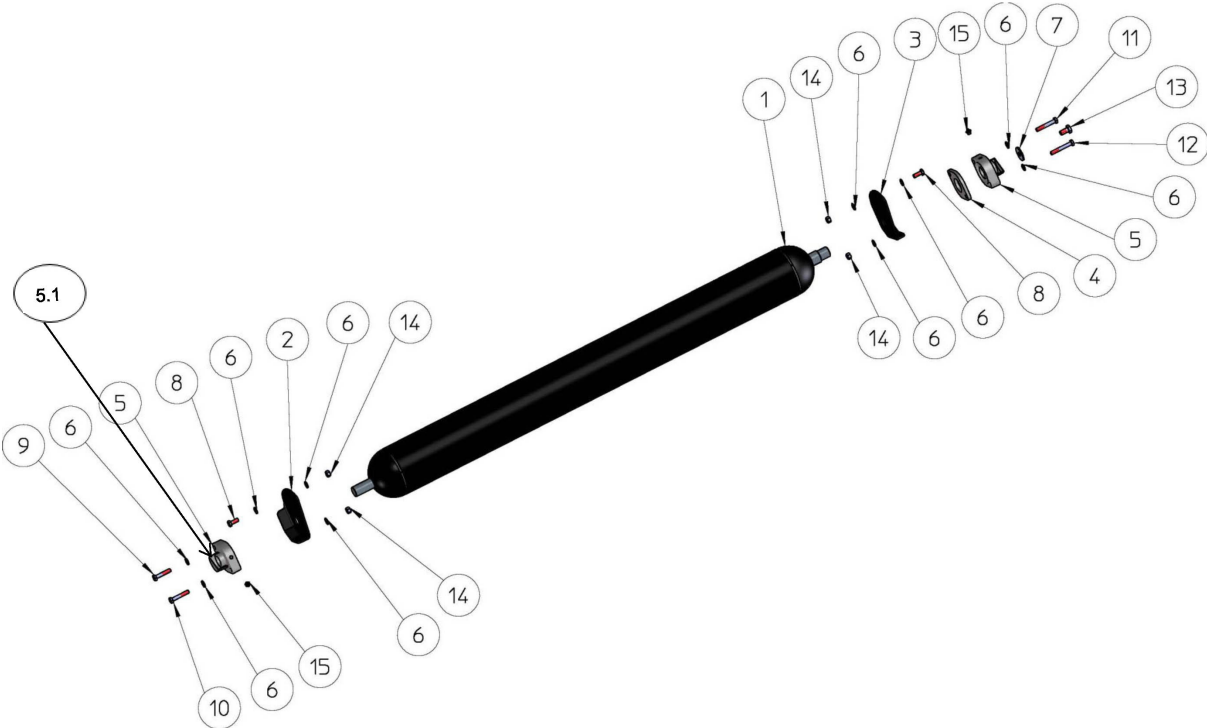
Ref	Part No	Description	Remark	QTY KIT
1	588 64 67-01	HOUSING		1
2	588 64 68-01	BAFFLE PLATE		3
3	581 31 23-01	BRACKET		24
4	588 64 69-01	DEFLECTOR		1
5	588 64 70-01	SHAFT		1
6	581 31 15-01	GUARD		1
7	588 64 71-01	BAR PLATE		1
8	581 31 17-01	COVER		1
9	581 31 18-01	SHOE		1
10	588 64 72-01	PROTECTION		1
11	588 64 73-01	PROTECTION		1
12	581 31 27-01	SCREW		4
13	588 64 74-01	BOLT		12
14	588 64 75-01	SCREW		1
15	588 64 76-01	BOLT		6
16	588 64 77-01	BOLT		3
17	588 64 78-01	BOLT		9
18	588 64 79-01	BOLT		6
19	588 64 80-01	WASHER		3
20	588 64 81-01	WASHER		24
21	588 64 82-01	WASHER		9
22	588 64 83-01	WASHER		6
23	588 64 84-01	WASHER		6
24	588 64 85-01	HEXAGON NUT		22
25	É588648601	TBD		9
26	588 64 87-01	HEXAGON NUT		6
27	577 46 90-01	DECAL		1
28	N/A	TBD		2
29	N/A	TBD		2



## PIVOTING WHEEL

FLAIL MOWER, 967339601, 2015-04

Ref	Part No	Description	Remark	QTY KIT
1	581 32 12-01	WHEEL		1
2	581 32 14-01	WASHER		2
3	588 66 54-01	AXLE		1
4	581 32 14-01	WASHER		2
5	581 32 20-01	LOCK NUT		1
6	581 32 08-01	SUPPORT		1
7	581 32 07-01	JOINT		1
8	581 32 06-01	WASHER		1
9	581 32 10-01	GUIDE BUSHING		2
10	588 66 55-01	FRAME		1
11	588 65 21-01	LUBRICATION NIPPLE		1
12	581 32 11-01	RING		1
13	588 66 56-01	COTTER		1
14	588 66 57-01	SCREW		2
15	581 31 88-01	WASHER		2
16	É588648601	TBD		2
17	588 64 98-01	BOLT		5
18	588 64 81-01	WASHER		5
19	588 64 85-01	HEXAGON NUT		5



## ROLLER

FLAIL MOWER, 967339601, 2015-04

Ref	Part No	Description	Remark	QTY KIT
1	588 65 22-01	ROLLER		1
2	588 65 23-01	GUIDE PLATE		1
3	588 65 24-01	GUIDE PLATE		1
4	588 65 25-01	BEARING PLATE		1
5	588 65 26-01	BEARING		2
5.1	N/A	TBD		2
6	581 31 88-01	WASHER		16
7	588 65 27-01	WASHER		1
8	588 65 28-01	SCREW		4
9	588 65 29-01	SCREW		1
10	588 65 30-01	SCREW		1
11	588 65 31-01	SCREW		1
12	588 65 32-01	SCREW		1
13	588 64 99-01	SCREW		1
14	588 64 85-01	HEXAGON NUT		8
15	588 65 33-01	LUBRICATION NIPPLE		2



## TRANSMISSION

FLAIL MOWER, 967339601, 2015-04

Ref	Part No	Description	Remark	QTY KIT
1	588 64 88-01	GEAR BOX		1
1.1	588 64 89-01	SHAFT		1
2	588 64 90-01	COVER		1
3	588 64 91-01	HOLDER		1
4	588 64 92-01	BRACKET		1
5	588 64 93-01	BRACKET		1
6	588 64 94-01	PLATE		1
7	588 64 95-01	SCREW		2
8	588 64 96-01	SCREW		4
9	588 64 97-01	V-BELT		2
10	588 64 98-01	BOLT		3
11	588 64 78-01	BOLT		2
12	588 64 99-01	SCREW		4
13	581 31 90-01	BOLT		4
14	588 65 00-01	SCREW		1
15	588 64 81-01	WASHER		9
16	588 64 82-01	WASHER		2
17	588 65 01-01	WASHER		12
18	588 64 85-01	HEXAGON NUT		3
19	588 64 86-01	HEXAGON NUT		6
20	588 65 02-01	HEXAGON NUT		1
21	588 65 03-01	PULLEY		1
22	588 65 04-01	PULLEY		1
23	588 65 05-01	ROLLER		1
24	588 65 06-01	ROLLER		1
25	588 65 07-01	KEY		1
26	588 65 08-01	KEY		1